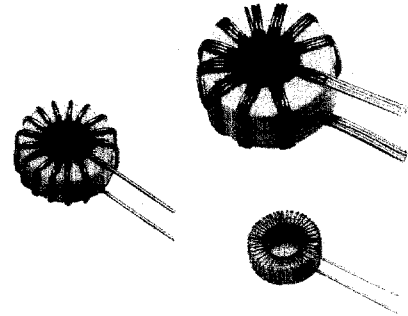
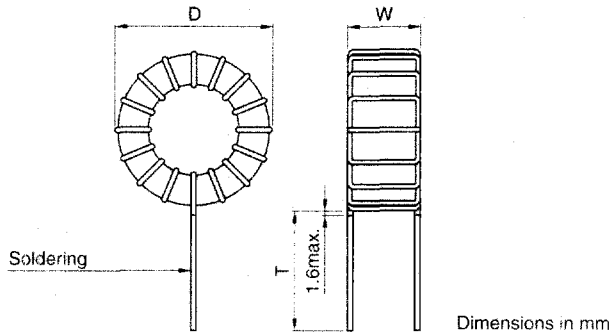


AMORPHOUS MAGNETIC CORE-INDUCTORS

For power supply
NC series

INDUCTOR



Part No.	Rated current (A)	Inductance (μH)ref.	Saturated current (A)ref.	DC resistance (mΩ)max.	Winding wire ø(mm)	Dimensions (mm) max.		
						D	W	T
NCT10-151L1-10	1	150	2	117	0.5	14.5	11	15
NCT10-470L2-10	2	47	4	47	0.6	15	11	15
NCT12-221L1-10	1	220	2	121	0.5	16.5	11	15
NCT12-101L2-10	2	100	4	65	0.6	17	11.5	15
NCT12-330L3-10	3	33	6	20	0.8	17	11.5	15
NCT15-331L1-10	1	330	2	159	0.5	19.5	11.5	15
NCT15-151L2-10	2	150	4	81	0.6	20	11.5	15
NCT15-680L3-10	3	68	6	33	0.8	20	12	15
NCT15-330L4-10	4	33	8	17	0.9	20.5	11.5	15
NCT15-220L5-10	5	22	10	12	1	20.5	12	15
NCT20-681L1-10	1	680	2	206	0.5	25	15.5	25
NCT20-471L2-10	2	470	4	83	0.8	26	17	25
NCT20-221L3-10	3	220	6	45	0.9	26.5	17.5	25
NCT20-101L4-10	4	100	8	29	0.9	26	16.5	25
NCT20-680L5-10	5	68	10	20	1	26.5	17	25
NCT20-470L6-10	6	47	12	14	1.1	27	17.5	25
NCT20-330L8-10	8	33	16	11	1.2	27	17.5	25
NCT25-331L3-10	3	330	6	56	0.9	31	17.5	25
NCT25-221L4-10	4	220	8	49	0.9	31.5	17	25
NCT25-151L5-10	5	150	10	33	1	31.5	17.5	25
NCT25-101L6-10	6	100	12	23	1.1	32	17.5	25
NCT25-470L8-10	8	47	16	13	1.2	32.5	18	25
NCT25-330L10-10	10	33	20	12	1.2	32.5	18	25

- Saturated current is DC. current obtained when the inductance value decreased a half the rated current.
- Case material: Inflammable material (UL Grade 94V-0, File No. E45034)



Specifications which provide more details for the proper and safe use of the described product are available upon request.

All specifications are subject to change without notice.