

NR3316TM

RECEIVER

R08DS0020EJ0100

Rev.1.00

PIN-PD RECEIVER WITH INTERNAL PRE-AMPLIFIER FOR 10 Gb/s APPLICATIONS

Aug 17, 2010

DESCRIPTION

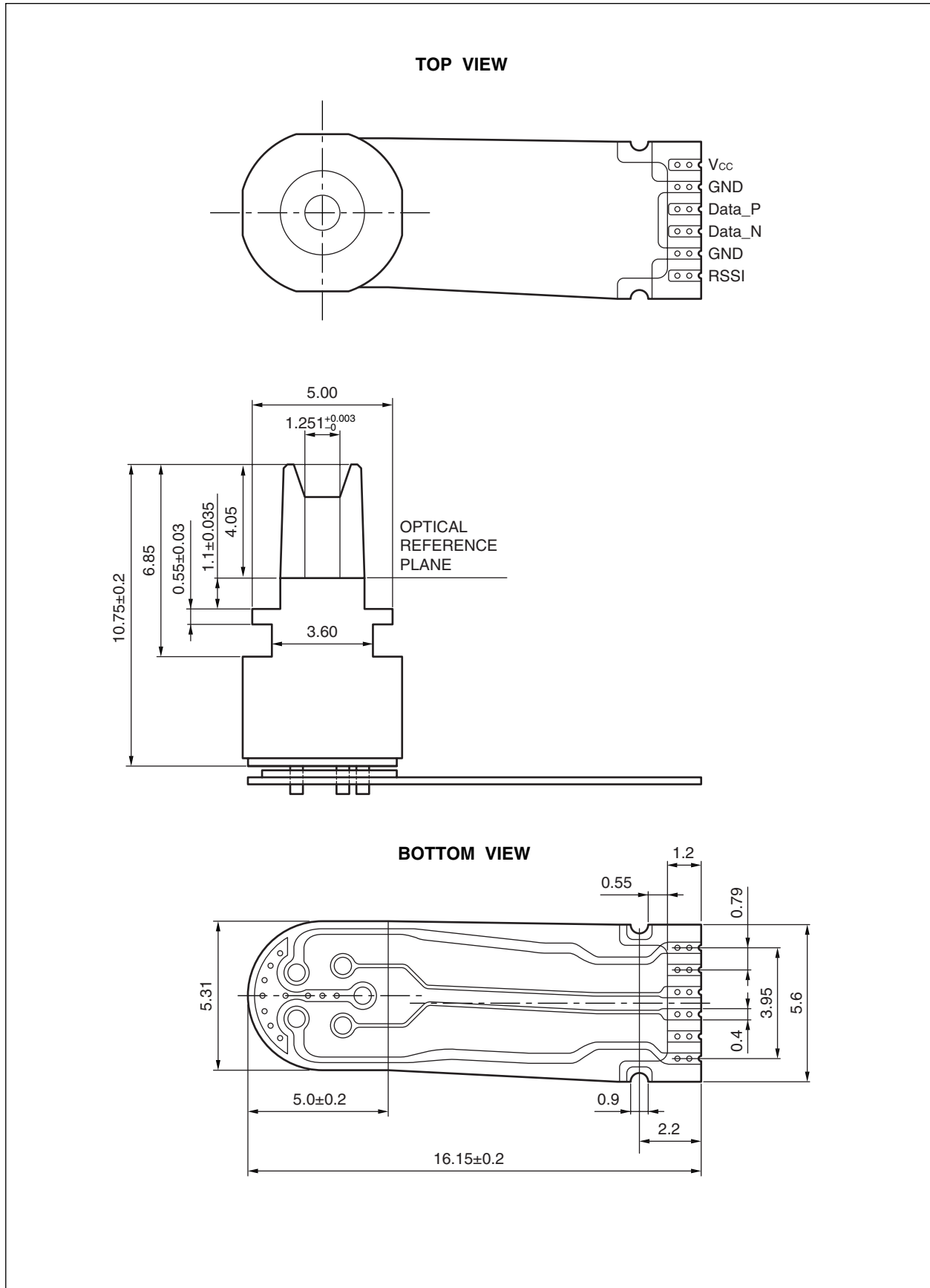
The NR3316TM product consists of InGaAs PIN ROSAs (Receiver Optical Sub-Assembly) with internal pre-amplifiers designed for 10 Gb/s optical transceivers such as the XFP. These modules are ideal as receivers for IEEE 10G BASE and SONET OC-192 systems.

FEATURES

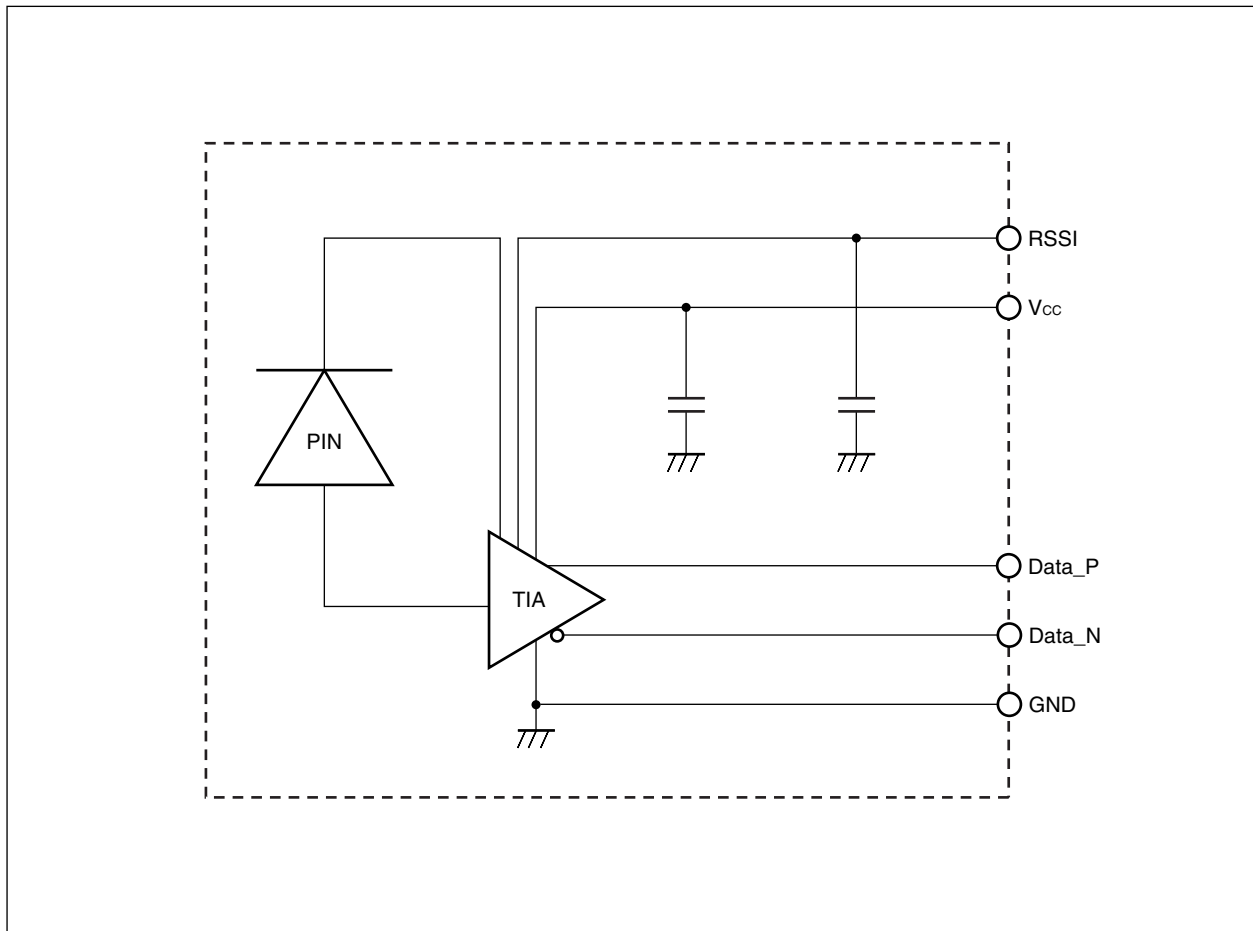
- XMD-MSA compliant LC ROSA
- 10 Gb/s high sensitivity InGaAs PIN-PD
- +3.3 V SiGe transimpedance pre-amplifier
- Minimum receiver sensitivity $P_r = -19.5 \text{ dBm}$
- Operating case temperature $T_c = -40 \text{ to } +95^\circ\text{C}$
- Transimpedance $Z_t = 7\,000 \Omega$ (Differential-ended)
- Cut-off frequency $f_c = 8.5 \text{ GHz}$
- With flexible printed circuit
- RSSI output



PACKAGE DIMENSIONS (UNIT: mm)



BLOCK DIAGRAM



ORDERING INFORMATION

Part Number	Receptacle Type	Note
NR3316TM	LC, plastic	Differential output with flexible PCB

ABSOLUTE MAXIMUM RATINGS

Parameter	Symbol	Ratings	Unit
IC Supply Voltage	V_{CC}	-0.3 to +4.0	V
Operating Case Temperature	T_C	-40 to +95	°C
Storage Temperature	T_{stg}	-40 to +95	°C
Maximum AOP Input	P_{in}	+5	dBm
RSSI	RSSI	0 to $V_{CC}-0.65$	V
Lead Soldering Temperature (Flexible Printed Circuit)	T_{slid}	350 (10 sec.)	°C

RECOMMENDED OPERATING CONDITION

Parameter	Symbol	MIN.	TYP.	MAX.	Unit
IC Supply Voltage	V_{CC}	+2.97	+3.3	+3.63	V
Operating Case Temperature	T_C	-40	+25	+95	°C

ELECTRO-OPTICAL CHARACTERISTICS

($V_{CC} = 3.3$ V, $\lambda = 1\ 260$ to $1\ 360$ nm/ $1\ 530$ to $1\ 565$ nm, unless otherwise specified)

Parameter	Symbol	Conditions	MIN.	TYP.	MAX.	Unit
RSSI Gain	Rg1.3	$\lambda = 1\ 310$ nm		0.38		A/W
	Rg1.5	$\lambda = 1\ 550$ nm		0.44		
Transimpedance	Z_t	$R_L = 50\ \Omega$, $P_{in} = -17$ dBm, Differential-ended		7 000		Ω
Maximum Output Voltage Swing	V_{PP}	Differential-ended			350	mV _{PP}
Cut-off Frequency	f_C	$R_L = 50\ \Omega$, $P_{in} = -17$ dBm, -3dB from 1 GHz	7	8.5	13.2	GHz
Minimum Receiver Sensitivity	P_r	11.3 Gb/s, BER = 10^{-12} ,		-19.5	-17	dBm
Overload	P_O	PRBS = $2^{31}-1$, ER = 12 dB, NRZ, $\lambda = 1\ 550$ nm	+2			dBm
Electrical Return Loss	S_{22}	1 to 7 GHz, Single			-5	dB
IC Supply Current	I_{CC}				44	mA
Optical Return Loss	ORL				-27	dB

REFERENCE

Document Name	Document No.
Opto-Electronics Devices Pamphlet	PX10160E**1

Note: *1. Published by the former NEC Electronics Corporation.

SAFETY INFORMATION ON THIS PRODUCT

Caution	GaAs Products	<p>This product uses gallium arsenide (GaAs). GaAs vapor and powder are hazardous to human health if inhaled or ingested, so please observe the following points.</p> <ul style="list-style-type: none">• Follow related laws and ordinances when disposing of the product. If there are no applicable laws and/or ordinances, dispose of the product as recommended below.<ol style="list-style-type: none">1. Commission a disposal company able to (with a license to) collect, transport and dispose of materials that contain arsenic and other such industrial waste materials.2. Exclude the product from general industrial waste and household garbage, and ensure that the product is controlled (as industrial waste subject to special control) up until final disposal.• Do not burn, destroy, cut, crush, or chemically dissolve the product.• Do not lick the product or in any way allow it to enter the mouth.
Caution	Optical Fiber	<p>A glass-fiber is attached on the product. Handle with care.</p> <ul style="list-style-type: none">• When the fiber is broken or damaged, handle carefully to avoid injury from the damaged part or fragments.

Revision History	NR3316TM Data Sheet
-------------------------	----------------------------

Rev.	Date	Description	
		Page	Summary
1.00	Aug 17, 2010	-	First edition issued

All trademarks and registered trademarks are the property of their respective owners.

Notice

- All information included in this document is current as of the date this document is issued. Such information, however, is subject to change without any prior notice. Before purchasing or using any Renesas Electronics products listed herein, please confirm the latest product information with a Renesas Electronics sales office. Also, please pay regular and careful attention to additional and different information to be disclosed by Renesas Electronics such as that disclosed through our website.
- Renesas Electronics does not assume any liability for infringement of patents, copyrights, or other intellectual property rights of third parties by or arising from the use of Renesas Electronics products or technical information described in this document. No license, express, implied or otherwise, is granted hereby under any patents, copyrights or other intellectual property rights of Renesas Electronics or others.
- You should not alter, modify, copy, or otherwise misappropriate any Renesas Electronics product, whether in whole or in part.
- Descriptions of circuits, software and other related information in this document are provided only to illustrate the operation of semiconductor products and application examples. You are fully responsible for the incorporation of these circuits, software, and information in the design of your equipment. Renesas Electronics assumes no responsibility for any losses incurred by you or third parties arising from the use of these circuits, software, or information.
- When exporting the products or technology described in this document, you should comply with the applicable export control laws and regulations and follow the procedures required by such laws and regulations. You should not use Renesas Electronics products or the technology described in this document for any purpose relating to military applications or use by the military, including but not limited to the development of weapons of mass destruction. Renesas Electronics products and technology may not be used for or incorporated into any products or systems whose manufacture, use, or sale is prohibited under any applicable domestic or foreign laws or regulations.
- Renesas Electronics has used reasonable care in preparing the information included in this document, but Renesas Electronics does not warrant that such information is error free. Renesas Electronics assumes no liability whatsoever for any damages incurred by you resulting from errors in or omissions from the information included herein.
- Renesas Electronics products are classified according to the following three quality grades: "Standard", "High Quality", and "Specific". The recommended applications for each Renesas Electronics product depends on the product's quality grade, as indicated below. You must check the quality grade of each Renesas Electronics product before using it in a particular application. You may not use any Renesas Electronics product for any application categorized as "Specific" without the prior written consent of Renesas Electronics. Further, you may not use any Renesas Electronics product for any application for which it is not intended without the prior written consent of Renesas Electronics. Renesas Electronics shall not be in any way liable for any damages or losses incurred by you or third parties arising from the use of any Renesas Electronics product for an application categorized as "Specific" or for which the product is not intended where you have failed to obtain the prior written consent of Renesas Electronics. The quality grade of each Renesas Electronics product is "Standard" unless otherwise expressly specified in a Renesas Electronics data sheets or data books, etc.
"Standard": Computers; office equipment; communications equipment; test and measurement equipment; audio and visual equipment; home electronic appliances; machine tools; personal electronic equipment; and industrial robots.
"High Quality": Transportation equipment (automobiles, trains, ships, etc.); traffic control systems; anti-disaster systems; anti-crime systems; safety equipment; and medical equipment not specifically designed for life support.
"Specific": Aircraft; aerospace equipment; submersible repeaters; nuclear reactor control systems; medical equipment or systems for life support (e.g. artificial life support devices or systems), surgical implantations, or healthcare intervention (e.g. excision, etc.), and any other applications or purposes that pose a direct threat to human life.
- You should use the Renesas Electronics products described in this document within the range specified by Renesas Electronics, especially with respect to the maximum rating, operating supply voltage range, movement power voltage range, heat radiation characteristics, installation and other product characteristics. Renesas Electronics shall have no liability for malfunctions or damages arising out of the use of Renesas Electronics products beyond such specified ranges.
- Although Renesas Electronics endeavors to improve the quality and reliability of its products, semiconductor products have specific characteristics such as the occurrence of failure at a certain rate and malfunctions under certain use conditions. Further, Renesas Electronics products are not subject to radiation resistance design. Please be sure to implement safety measures to guard them against the possibility of physical injury, and injury or damage caused by fire in the event of the failure of a Renesas Electronics product, such as safety design for hardware and software including but not limited to redundancy, fire control and malfunction prevention, appropriate treatment for aging degradation or any other appropriate measures. Because the evaluation of microcomputer software alone is very difficult, please evaluate the safety of the final products or system manufactured by you.
- Please contact a Renesas Electronics sales office for details as to environmental matters such as the environmental compatibility of each Renesas Electronics product. Please use Renesas Electronics products in compliance with all applicable laws and regulations that regulate the inclusion or use of controlled substances, including without limitation, the EU RoHS Directive. Renesas Electronics assumes no liability for damages or losses occurring as a result of your noncompliance with applicable laws and regulations.
- This document may not be reproduced or duplicated, in any form, in whole or in part, without prior written consent of Renesas Electronics.
- Please contact a Renesas Electronics sales office if you have any questions regarding the information contained in this document or Renesas Electronics products, or if you have any other inquiries.
(Note 1) "Renesas Electronics" as used in this document means Renesas Electronics Corporation and also includes its majority-owned subsidiaries.
(Note 2) "Renesas Electronics product(s)" means any product developed or manufactured by or for Renesas Electronics.



SALES OFFICES

Renesas Electronics Corporation

<http://www.renesas.com>

Refer to "<http://www.renesas.com/>" for the latest and detailed information.

Renesas Electronics America Inc.
2880 Scott Boulevard Santa Clara, CA 95050-2554, U.S.A.
Tel: +1-408-588-6000, Fax: +1-408-588-6130

Renesas Electronics Canada Limited
1101 Nicholson Road, Newmarket, Ontario L3Y 9C3, Canada
Tel: +1-905-898-5441, Fax: +1-905-898-3220

Renesas Electronics Europe Limited
Dukes Meadow, Millboard Road, Bourne End, Buckinghamshire, SL8 5FH, U.K
Tel: +44-1628-585-100, Fax: +44-1628-585-900

Renesas Electronics Europe GmbH
Arcadiastrasse 10, 40472 Düsseldorf, Germany
Tel: +49-211-6503-0, Fax: +49-211-6503-1327

Renesas Electronics (China) Co., Ltd.
7th Floor, Quantum Plaza, No.27 ZhichunLu Haidian District, Beijing 100083, P.R.China
Tel: +86-10-8235-1155, Fax: +86-10-8235-7679

Renesas Electronics (Shanghai) Co., Ltd.
Unit 204, 205, AZIA Center, No.1233 Lujiazui Ring Rd., Pudong District, Shanghai 200120, China
Tel: +86-21-5877-1818, Fax: +86-21-6887-7858 / -7898

Renesas Electronics Hong Kong Limited
Unit 1601-1613, 16/F., Tower 2, Grand Century Place, 193 Prince Edward Road West, Mongkok, Kowloon, Hong Kong
Tel: +852-2886-9318, Fax: +852-2886-9022/9044

Renesas Electronics Taiwan Co., Ltd.
7F, No. 363 Fu Shing North Road Taipei, Taiwan, R.O.C.
Tel: +886-2-8175-9600, Fax: +886-2-8175-9670

Renesas Electronics Singapore Pte. Ltd.
1 HarbourFront Avenue, #06-10, Keppel Bay Tower, Singapore 098632
Tel: +65-6213-0200, Fax: +65-6278-8001

Renesas Electronics Malaysia Sdn.Bhd.
Unit 906, Block B, Menara Amcorp, Amcorp Trade Centre, No. 18, Jln Persiaran Barat, 46050 Petaling Jaya, Selangor Darul Ehsan, Malaysia
Tel: +60-3-7955-9390, Fax: +60-3-7955-9510

Renesas Electronics Korea Co., Ltd.
11F., Samik Laviel'or Bldg., 720-2 Yeoksam-Dong, Kangnam-Ku, Seoul 135-080, Korea
Tel: +82-2-558-3737, Fax: +82-2-558-5141