

XAC34SF2A010

XAC34PM1A000

XAC34PC1A700

Designed for external installation, the XAC is the MRAC removable contact connector equipped with protective shells and mounting plates for chassis or cable mounting on metal containers, bulkheads, or any outside surface

equipment. Lighter and smaller than other external connectors, they provide dependable service under adverse conditions. Inserts are housed in protective shells and there is screw lock coupling of plug and receptacle.

SPECIFICATIONS

Current Rating: Up to 13 amps

No. of Contacts: 9, 14, 18, 20, 26, 34, 42, 50, 66, 75, 104

Contacts: Contacts must be ordered separately. Select from crimp, solder, dip solder, shielded or wire wrap terminations.

Electrical Data: Meets high potential performance requirements of MIL-C-28748. The dielectric withstanding voltage is one minute electrification at 2000 VAC.

Military versions are QPL'd to M28748/3 and M28748/4.

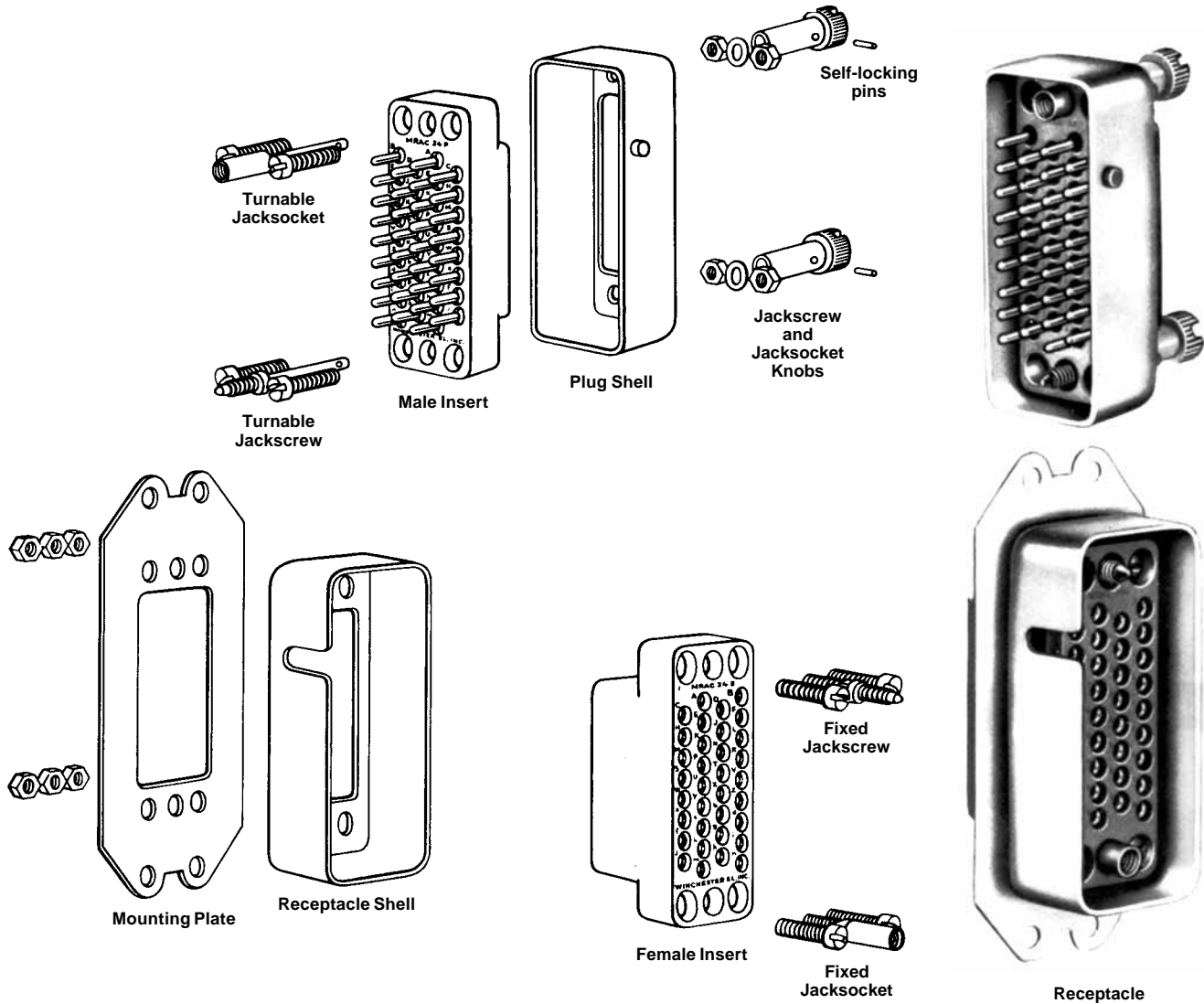
Dielectric: Diallyl Phthalate, MIL-M-14, Type SDG-F, Color Gray

Polarization: Seven positions available for pin and slot polarization on shells. Additional polarization can be provided with various arrangements of jackscrews and guides.

Accessories: Shells, formed and drawn hoods, mounting plates, jackscrews and jacksockets.

CATALOG NO.		CATALOG NO.		CATALOG NO.	
XAC9-0300X	MS 18192-T8	XMRE75-0400XS	MS 18192SXX	XJMS603P	MS 18196-3
XAC14-0300X	MS 18192-T1	XMRE75-0400XP	MS 18192-S6	XJMS603S	MS 18196-4
XAC20-0300X	MS 18192-T2	XMRA66-0700	MS 18193-T1	XNMS700P	MS 18197-1
XMRE9-0400X	MS 18192-S8	XMRA66-0800	MS 18193-S1	XNMS700S	MS 18197-2
XMRE14-0400X	MS 18192-S1	XMRA 104-0700	MS 18193-T2	XNMS702P	MS 18197-3
XMRE20-0400X	MS 18192-S2	XMRA 104-0800	MS 18193-S2	XNMS702-S	MS 18197-4
XMRE26-0300X	MS18192-T9	XJTCMS605P	MS 18194-1	XMRA 14-0010	MS 18198-1
XMRE26-0400X	MS 18192-S9	XJTCMS605S	MS 18194-2	XMRA 20-0010	MS 18198-2
XMRE34-0300X	MS18192-T3	XJTCMS608P	MS 18194-3	XMRA 34-0010	MS 18199-1
XMRE34-0400X	MS 18192-S3	XJTCMS608S	MS 18194-4	XMRA42-0010	MS 18199-2
XMRE42-0300X	MS 18192-T4	XJTMS605P	MS 18195-1	XMRA50-0010	MS 18199-3
XMRE42-0400X	MS 18192-S4	XJTMS605S	MS 18195-2	XMRA75-0010	MS 18199-4
XMRE50-0300X	MS18192-T5	XJTMS606P	MS 18195-3	XMRA66-0010	MS 18200-1
XMRE50-0400X	MS 18192-S5	XJTMS606S	MS 18195-4	XMRA104-0010	MS 18200-2
XMRE75-0300XP	MS 18192-T6	XJMS602P	MS 18196-1		
XMRE75-0300XS	MS 18192-TXX	XJMS602S	MS 18196-2		

CONNECTOR ASSEMBLIES



DEFINITIONS OF CONNECTOR TERMS

Plug: The complete connector half which has the plug shell as part of its assembly.

Receptacle: The complete connector half which has the receptacle shell as part of its assembly.

Shell: The metal housing in which a male or female insert is assembled. A shell is either a plug shell or a receptacle shell:

Plug Shell - one which is designed to be inserted into a receptacle shell.

Receptacle Shell - one which is designed to receive and enclose the plug shell upon engagement.

Male Insert: The molded insulator body containing pin contacts.

Female Insert: The molded insulator body containing socket contacts.

Pin Contacts: Male Contacts that fit into the socket contacts.

Socket Contacts: Female Contacts tubular in shape, which receive the pin contacts and retain them by spring tension.

Polarization: A means of controlling the engagement of a plug and receptacle so that correct mating of the contacts is achieved.

Accessories: Those components such as hoods and mounting plates which are attachable to a plug or receptacle to facilitate mounting and/or handling of the connector, and to prevent inadvertent cross-mating.

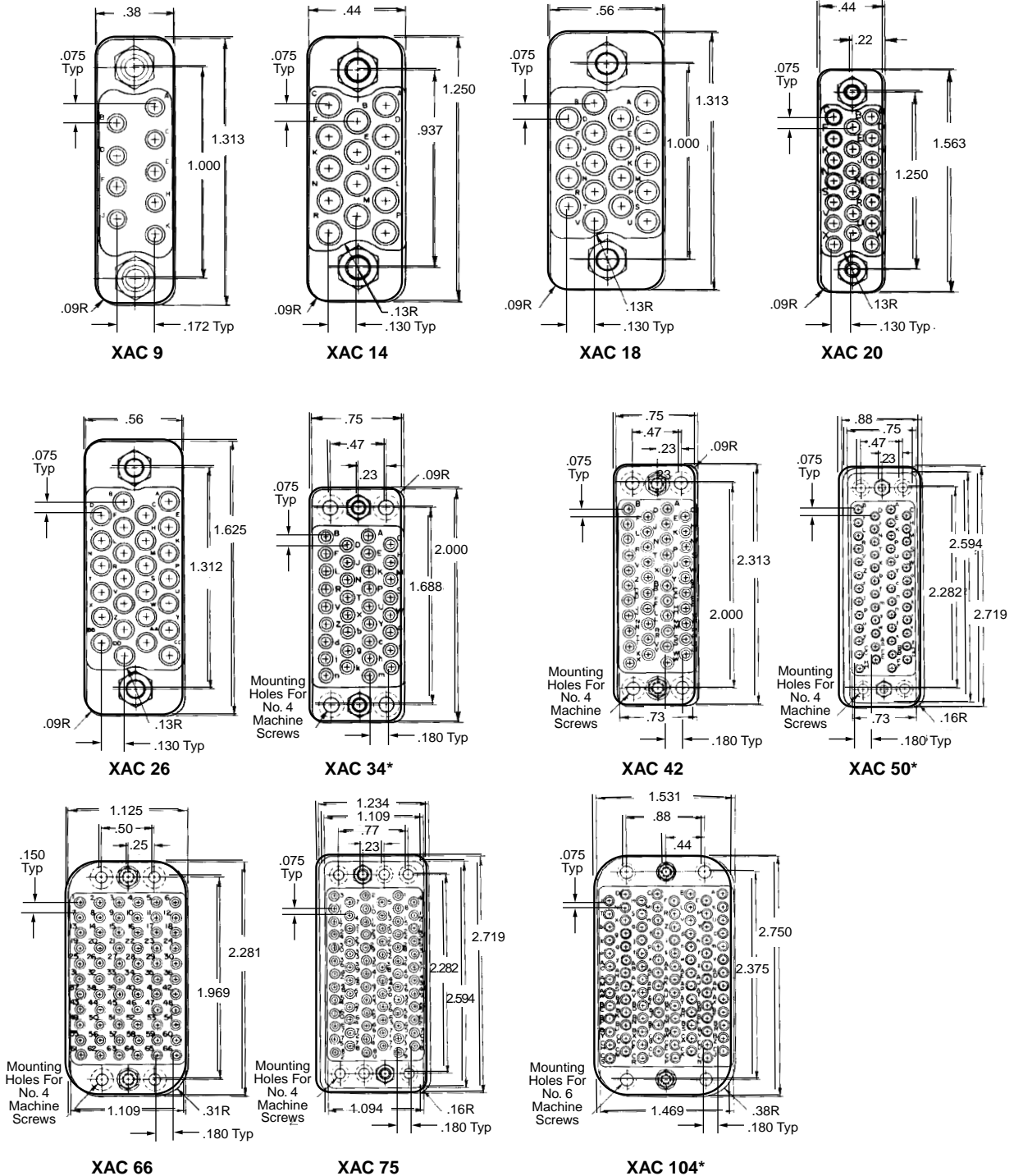
Rack & Panel

XAC Series

External Miniature Rectangular, Removable Contacts

CONTACT ARRANGEMENTS

Dimensions are for reference only and are subject to change. Outline drawings on request. Views are rear (wiring end) of female inserts. (Male inserts are opposite.)



*For numerical contact identification instead of alphabetical, order XNAC**P or S available in sizes 34, 50, and 104.

Sizes 66 and 75 have numerical contact identification as standard.

The spacing, arrangement, and identification of contacts of the XAC inserts are the same as those found on the Series MRAC removable contact connectors for the same number of contacts.

Winchester/Retconn

62 Barnes Industrial Road North, Wallingford, Connecticut 06492 Phone:(203)741-5400 Fax:(203)741-5500 www.winchesterelectronics.com

Rack & Panel

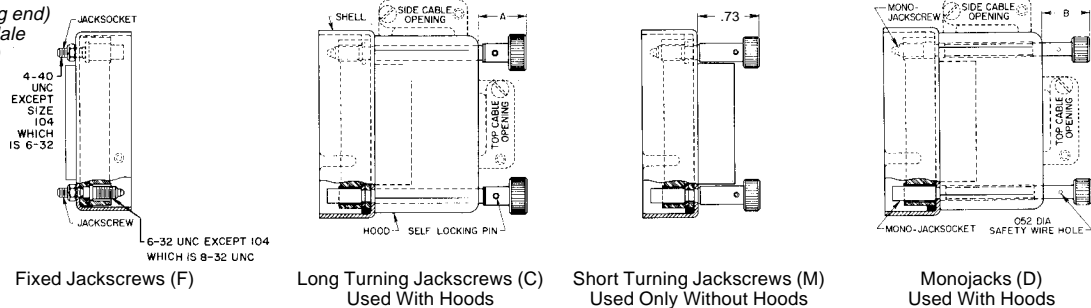
XAC Series

External Miniature Rectangular, Removable Contacts

JACKSCREW & JACKSOCKETS

Dimensions are for reference only and are subject to change. Outline drawings on request.

Views are rear (wiring end) of female inserts. (Male inserts are opposite.)



SPECIFICATIONS

Turnable jackscREW-jacksOCKET combination (M, C, or D) assembles on either Plug or Receptacle; the mating connector-half (either Receptacle or Plug) must then contain fixed jackscREW-jacksOCKET combination (F).

Both short and long turning jackscREWS (M and C) have knurled and slotted knobs for locking by hand or screwdriver. Knob is assembled on shaft with hollow, removable, self-locking pin. Safety wiring of engaged halves is achieved by using the through-hole in self-locking pin in the knob.

Monojacks (D) are long turning one-piece locking devices with slotted and knurled head. Shaft has through-hole for safety wire. available with hoods only, in sizes 34, 42, 50, 66, 75, and 104.

Drawings show extension of standard knobs beyond shell and beyond hood.

APPLICATIONS

JackscREW locking device assures positive coupling of engaged connectors to prevent accidental disconnecting from vibration or physical shock. It also aids easy connection and separation of connector plug and

receptacle. Mounted connector-half houses one non-turnable fixed jackscREW and jacksOCKET to insure connector polarization. Mating-half houses one of the three types of turning jackscREW and jacksOCKET (M, C, or D).

LOCKING DEVICE	SPECIFICATIONS		
	CODE LETTER	WT. OZ. See Notes 1 & 2	MATERIAL AND FINISH
JackscREW } Fixed JacksOCKET }	F	0.15	Nickel Plated Brass
JackscREW } Short JacksOCKET } Turnable	M	0.30	Stainless Steel with Passivating Dip
JackscREW } Long JacksOCKET } Turnable	C	0.45	Stainless Steel with Passivating Dip
Mono-JackscREW Long Turnable Mono-JacksOCKET	D	1.07	Nickel Plated Brass
Knob Standard	—	—	Aluminum Anodized

Note 1: Weights are for pairs; i.e. for a jackscREW and jacksOCKET, etc., so weight figure may be added once to weights of other accessories when computing total weight of plug or receptacle.

Note 2: Weights of turnable jackscREWS and turnable jacksOCKETS include knob and rollpins, except mono-jackscREW and mono-jacksOCKET, which is a one-piece construction (shaft and knob made in one piece); weight of fixed jackscREW and jacksOCKET includes nuts.

DIMENSIONS

Standard Knobs - Extension Beyond Hood

XAC	Dimension A								Dimension B								
	9*	14*	18*	20*	26	34	42	50	66	75	104	34	42	50	66	75	104
0300	.55	.55	.55	.55	.77	.58	.53	.53	—	.52	—	.59	.55	.55	—	.53	—
0400	.55	.55	.55	.55	.55	.58	.53	.53	—	.52	—	.59	.55	.55	—	.53	—
0700	—	—	—	—	—	.58	—	—	.64	—	.52	—	—	—	.38	—	.38
0800	—	—	—	—	—	.58	—	—	.64	—	.52	—	—	—	.38	—	.38

*On sizes 9, 14, 18, and 20, only large top opening hoods are available when (c) long turning jackscREWS are used. Catalog Number for large top opening hoods is - 0300X. Example: XAC20-0300X

Winchester/Retconn

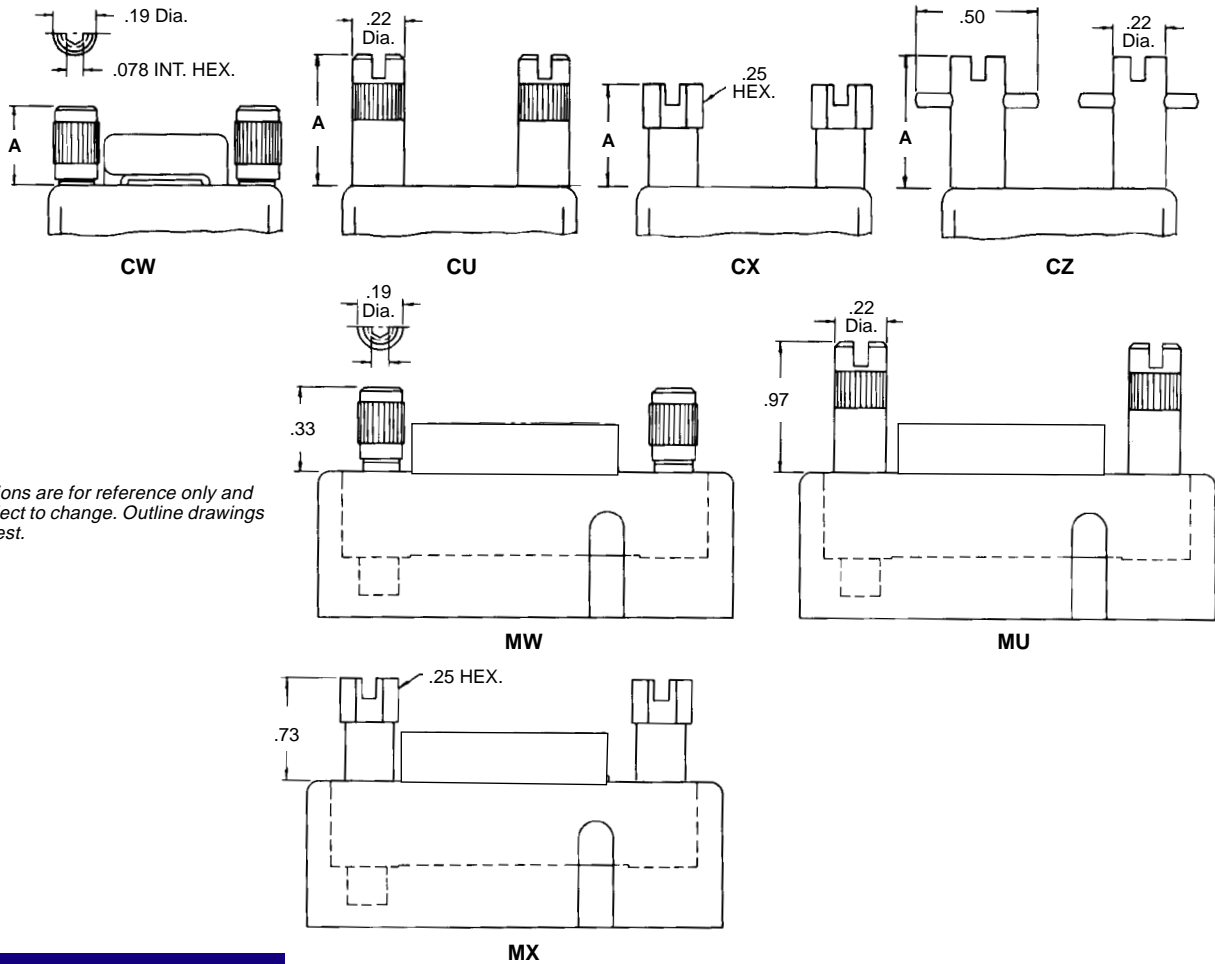
62 Barnes Industrial Road North, Wallingford, Connecticut 06492 Phone:(203)741-5400 Fax:(203)741-5500 www.winchesterelectronics.com

Rack & Panel

XAC Series

External Miniature Rectangular, Removable Contacts

OUTLINE - JACKSCREWS



Dimensions are for reference only and are subject to change. Outline drawings on request.

DIMENSIONS

All jackscrews and sockets are stainless steel, passivated (except F & D which are nickel plated brass). All knobs are aluminum, anodized except MW and CW which are stainless steel, passivated.

Size	Hoods						Size	Hoods					
	0300	0400	0300X	0400X	0700	0800		0300	0400	0300X	0400X	0700	0800
Dimension A - Type CW							Dimension A - Type CX						
9	-	.36	.36	.36	-	-	9	-	.48	.48	.48	-	-
14	-	.36	.36	.36	-	-	14	-	.48	.48	.48	-	-
18	-	.36	.36	.36	-	-	18	-	.48	.48	.48	-	-
20	-	.36	.36	.36	-	-	20	-	.48	.48	.48	-	-
26	.36	.36	.36	.36	-	-	26	.77	.48	.48	.48	-	-
34	.39	.39	.39	.39	.47	.47	34	.52	.52	.52	.52	.61	.61
42	.34	.34	.34	.34	-	-	42	.47	.47	.47	.47	-	-
50	.34	.34	.34	.34	-	-	50	.47	.47	.47	.47	-	-
66	-	-	-	-	.47	.47	66	-	-	-	-	.61	.61
75	.33	.33	.33	.33	-	-	75	.45	.45	.45	.45	-	-
Dimension A - Type CU							Dimension A - Type CZ						
9	-	.61	.61	.61	-	-	9	-	.61	.61	.61	-	-
14	-	.61	.61	.61	-	-	14	-	.61	.61	.61	-	-
18	-	.61	.61	.61	-	-	18	-	.61	.61	.61	-	-
20	-	.61	.61	.61	-	-	20	-	.61	.61	.61	-	-
26	.61	.61	.61	.61	-	-	26	.92	.61	.61	.61	-	-
34	.64	.64	.64	.64	.72	.72	34	.64	.64	.64	.64	.72	.72
42	.59	.59	.59	.59	-	-	42	.59	.59	.59	.59	-	-
50	.59	.59	.59	.59	-	-	50	.59	.59	.59	.59	-	-
66	-	-	-	-	.72	.72	66	-	-	-	-	.72	.72
75	.58	.58	.58	.58	-	-	75	.58	.58	.58	.58	-	-

Winchester/Retconn

62 Barnes Industrial Road North, Wallingford, Connecticut 06492 Phone:(203)741-5400 Fax:(203)741-5500 www.winchesterelectronics.com

Rack & Panel

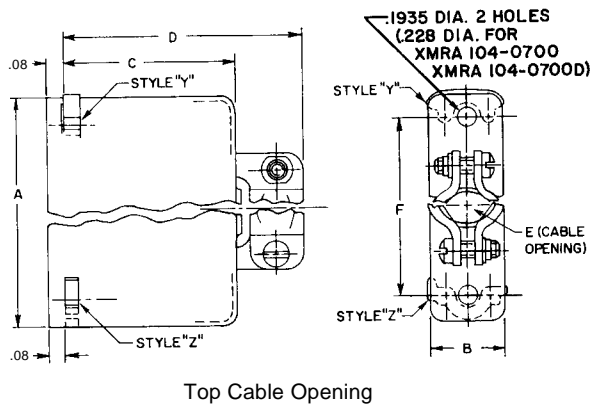
XAC Series

External Miniature Rectangular, Removable Contacts

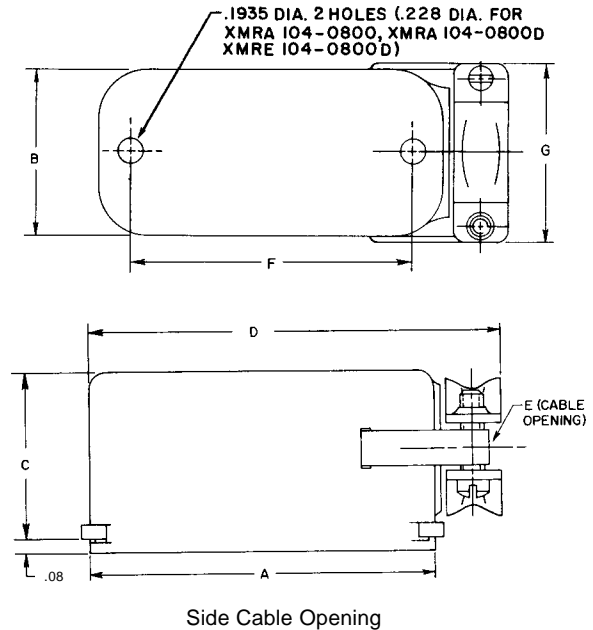
OUTLINE HOODS - DRAWN ALUMINUM

Dimensions are for reference only and are subject to change. Outline drawings on request.

The XAC Series uses standard XMRA/XMRE protective hardware. To order separately, use XMRE/XMRA catalog numbers indicated.



Top Cable Opening



Side Cable Opening

DIMENSIONS

XMRA Drawn Hoods for use with XAC Connectors.

Hoods - Side Cable Opening

For Use With	Hood Part No. (If ordered separately)	DIMENSIONS						
		A	B	C	D	E	F	G
Type C Jack Sockets and Jackscrews	XMRA 34-0800	2.09	.84	1.17	2.58	.64x.75	1.688	1.06
	XMRA 66-0800	2.38	1.22	1.17	2.91	.84D	1.969	1.34
	XMRA 104-0800	2.84	1.63	2.23	3.38	1.19D	2.375	1.63
Type D Jack Sockets and Jackscrews	XMRA 34-0800D	2.09	.84	1.17	2.58	.64x.75	1.688	1.06
	XMRA 66-0800D	2.38	1.22	1.17	2.91	.84D	1.969	1.34
	XMRA 104-0800D	2.84	1.63	2.23	3.38	1.19D	2.375	1.63
Type F Jackscrews	XMRA 34-0200	2.09	.84	1.17	2.58	.64x.75	-	1.06
	XMRA 66-0200	2.38	1.22	1.17	2.91	.84D	-	1.34
	XMRA 104-0200	2.84	1.63	2.23	3.38	1.19D	-	1.63

Hoods - Top Cable Opening

For Use With	Hood Part No. (If ordered separately)	DIMENSIONS					
		A	B	C	D	E	F
Type C Jack Sockets and Jackscrews	XMRA 34-0700	2.09	.84	1.17	1.59	.66x.75	1.688
	XMRA 66-0700	2.38	1.22	1.17	1.69	1.03D	1.969
	XMRA 104-0700	2.84	1.63	2.23	2.75	1.19D	2.375
Type D Jack Sockets and Jackscrews	XMRA 34-0700D	2.09	.84	1.17	1.59	.66x.75	1.688
	XMRA 66-0700D	2.38	1.22	1.17	1.69	1.03D	1.969
	XMRA 104-0700D	2.84	1.63	2.23	2.75	1.19D	2.375
Type F Jackscrews	XMRA 34-0900	2.09	.84	1.17	1.59	.66x.75	-
	XMRA 66-0900	2.38	1.22	1.17	1.69	1.03D	-
	XMRA 104-0900	2.84	1.63	2.23	2.75	1.19D	-

Winchester/Retconn

62 Barnes Industrial Road North, Wallingford, Connecticut 06492 Phone:(203)741-5400 Fax:(203)741-5500 www.winchesterelectronics.com

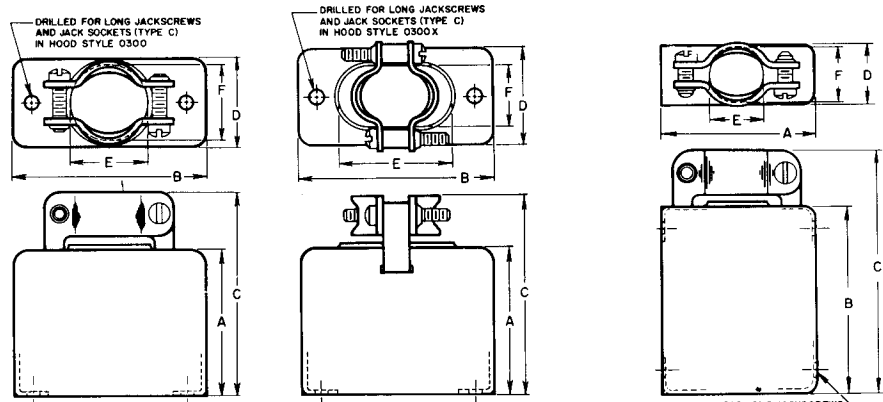
Rack & Panel

XAC Series

External Miniature Rectangular, Removable Contacts

OUTLINE HOODS - FORMED ALUMINUM

Dimensions are for reference only and are subject to change. Outline drawings on request.



Top Cable Opening

Large Top Cable Opening

Side Cable Opening

DIMENSIONS

XMRE Formed Hoods for use with XAC Connectors

Hoods - Top Cable Opening

For use with Monojacks	For use with Type C Jacksockets & Jackscrews	For use with Fixed Jackscrews*	Dimensions				Cable Opening		Wt. Oz. (Inc. 2 Cable Clamps and Screws)
	Hood Part No. (If ordered separately)		A	B	C	D	E Dia.	F Dia.	
	XAC 9-0300X	XAC 9-0500XJ	1.28	1.31	1.58	.44	.59	.31	0.3
	XAC 14-0300X	XAC 14-0500XJ	1.28	1.25	1.58	.50	.59	.38	0.3
	XAC 18-0300X	XAC 18-0500XJ	1.28	1.31	1.78	.63	.61	.44	0.4
	XAC 20-0300X	XAC 20-0500XJ	1.28	1.56	1.58	.50	.66	.38	0.3
	XMRE 26-0300	XMRE 26-0500J	1.28	1.63	1.72	.64	.59	.38	
	XMRE 26-0300X	XMRE 26-0500XJ	1.28	1.63	1.78	.64	.78	.44	0.4
XMRE 34-0300D	XMRE 34-0300	XMRE 34-0500J	1.25	2	1.69	.83	.66	—	
XMRE 34-0300XD	XMRE 34-0300X	XMRE 34-0500XJ	1.25	2	1.75	.83	1.06	.56	0.6
XMRE 42-0300D	XMRE 42-0300	XMRE 42-0500J	1.30	2.31	1.73	.83	.63	—	
XMRE 42-0300XD	XMRE 42-0300X	XMRE 42-0500XJ	1.30	2.31	1.80	.83	1.06	.56	0.7
XMRE 50-0300D	XMRE 50-0300	XMRE 50-0500J	1.30	2.59	1.73	.83	.63	—	
XMRE 50-0300XD	XMRE 50-0300X	XMRE 50-0500XJ	1.30	2.59	1.80	.83	1.06	.56	0.8
XMRE 75-0300D	XMRE 75-0300	XMRE 75-0500J	1.31	2.59	1.75	1.19	.63	.88	
XMRE 75-0300XD	XMRE 75-0300X	XMRE 75-0500XJ	1.31	2.59	1.86	1.19	1	.88	1.0

* For use with G, K, or N guides, eliminate letter "J" from part number

Hoods - Side Cable Opening

For use with Monojacks	For use with Type C Jacksockets & Jackscrews	For use with Fixed Jackscrews*	Dimensions				Cable Opening		Wt. Oz. (Inc. 2 Cable Clamps and Screws)
	Hood Part No. (If ordered separately)		A	B	C	D	E Dia.	F Dia.	
	XMRE 9-0400	XMRE 9-0600J	1.28	1.31	1.63	.44	.31	—	
	XMRE 9-0400X	XMRE 9-0600XJ	1.28	1.31	1.61	.44	.59	.31	0.3
	XMRE 14-0400	XMRE 14-0600J	1.28	1.25	1.69	.5	.38	—	
	XMRE 14-0400X	XMRE 14-0600XJ	1.28	1.25	1.55	.5	.59	.38	0.3
	XMRE 18-0400	XMRE 18-0600J	1.28	1.31	1.75	.38	.44	—	
	XMRE 18-0400X	XMRE 18-0600XJ	1.28	1.31	1.81	.38	.69	.44	0.4
	XMRE 20-0400	XMRE 20-0600J	1.28	1.56	2	.5	.38	—	
	XMRE 20-0400X	XMRE 20-0600XJ	1.28	1.56	1.86	.5	.66	.38	0.3
	XMRE 26-0400	XMRE 26-0600J	1.28	1.63	2.06	.64	.59	.38	
	XMRE 26-0400X	XMRE 26-0600XJ	1.28	1.63	2.13	.64	.78	.44	0.4
XMRE 34-0400D	XMRE 34-0400	XMRE 34-0600J	1.25	2	2.42	.83	.66	—	
XMRE 34-0400XD	XMRE 34-0400X	XMRE 34-0600XJ	1.25	2	2.50	.83	.81	.56	0.6
XMRE 42-0400D	XMRE 42-0400	XMRE 42-0600J	1.30	2.31	2.73	.83	.63	.5	
XMRE 42-0400XD	XMRE 42-0400X	XMRE 42-0600XJ	1.30	2.31	2.81	.83	.84	.56	0.7
XMRE 50-0400D	XMRE 50-0400	XMRE 50-0600J	1.30	2.59	3.02	.83	.63	.5	
XMRE 50-0400XD	XMRE 50-0400X	XMRE 50-0600XJ	1.30	2.59	3.09	.83	1.06	.56	0.8
XMRE 75-0400D	XMRE 75-0400	XMRE 75-0600J	1.31	2.59	3.02	1.19	.63	.88	
XMRE 75-0400XD	XMRE 75-0400X	XMRE 75-0600XJ	1.31	2.59	3.14	1.19	1	.88	1.0

* For use with G, K, or N guides, eliminate letter "J" from part number

Winchester/Retconn

62 Barnes Industrial Road North, Wallingford, Connecticut 06492 Phone:(203)741-5400 Fax:(203)741-5500 www.winchesterelectronics.com

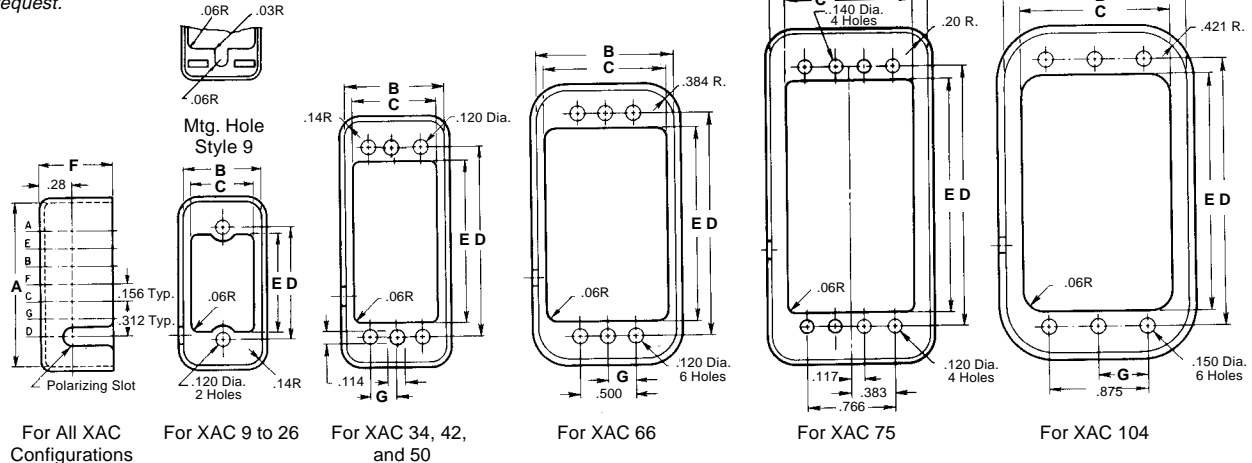
Rack & Panel

XAC Series

External Miniature Rectangular, Removable Contacts

OUTLINE SHELLS - RECEPTACLES

Dimensions are for reference only and are subject to change. Outline drawings on request.



DIMENSIONS SHELLS - RECEPTACLES

Important Note When Ordering Plug and Receptacle Shells

The shell part numbers given in the table show an asterisk (*) where the code letter for the desired polarizing position belongs - example: XMRE9-2*000 becomes XMRE9-2B000 when polarization in position "B" is desired. Specify the same position on the mating shell.

For non-polarized shells, merely omit this position, e.g. XMRE9-2000.

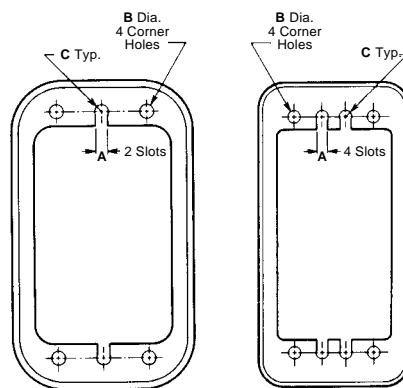
TYPICAL SHELLS FOR MONOJACKS STYLE No. 4000

Shells are .040 in. thick.

Shells are aluminum, anodized for protection against corrosion. Either shell style - plug or receptacle - may be used to house the female insert, thus allowing the "live" socket contacts to be cable or panel mounted, as desired. Shells also provide a means by which connector polarization is accomplished - the receptacle shell is slotted for engaging a polarizing pin on the plug shell. Any of seven positions (A, B, C, D, E, F or G) may be specified for polarization; non-polarized shells have the slot and pin omitted.

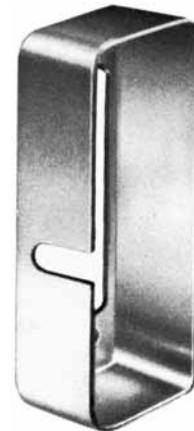
Shell Part No. (if ordered separately)	DIMENSIONS							Wt. Oz.
	A	B	C	D	E	F	G	
XMRE 9-2*000	1.45	.52	.38	1.000	.88	.66	-	0.15
XMRE 14-2*000	1.39	.58	.45	.937	.81	.66	-	0.16
XMRE 18-2*000	1.45	.70	.58	1.000	.88	.66	-	0.17
XMRE 20-2*000	1.70	.58	.45	1.250	1.13	.66	-	0.19
XMRE 26-2*000	1.77	.70	.58	1.312	1.19	.66	-	0.23
XMRE 34-2*000	2.14	.89	.75	1.687	1.44	.66	.234	0.25
XMRE 34-4*000	2.14	.89	.75	1.687	1.44	.66	.234	0.25
XMRE 42-2*000	2.45	.89	.75	2.000	1.75	.66	.234	0.28
XMRE 42-4*000	2.45	.89	.75	2.000	1.75	.66	.234	0.28
XMRE 50-2*000	2.86	1.02	.75	2.282	2.03	.66	.234	0.30
XMRE 50-4*000	2.86	1.02	.75	2.282	2.03	.66	.234	0.30
XMRA 66-2*000	2.42	1.27	1.13	1.969	1.72	.66	.250	0.28
XMRA 66-4*000	2.42	1.27	1.13	1.969	1.72	.66	.250	0.28
XMRE 75-2*000	2.86	1.38	1.11	2.282	2.03	.66	-	0.32
XMRE 75-4*000	2.86	1.38	1.11	2.282	2.03	.66	-	0.32
XMRA 104-2*000	2.91	1.69	1.48	2.375	2.13	.66	.437	0.30
XMRA 104-4*000	2.91	1.69	1.48	2.375	2.13	.66	.437	0.30

For Connector Size	A	B	C
34, 42, 50, 66, 75	.11	.120	.06R
104	.14	.150	.07R



For XAC 34, 42, 50, 66, and 104 Configurations

For XAC 75 Configuration



Receptacle Shell Style No. 2000
Shells are .040 in. thick.

Winchester/Retconn

62 Barnes Industrial Road North, Wallingford, Connecticut 06492 Phone:(203)741-5400 Fax:(203)741-5500 www.winchesterelectronics.com

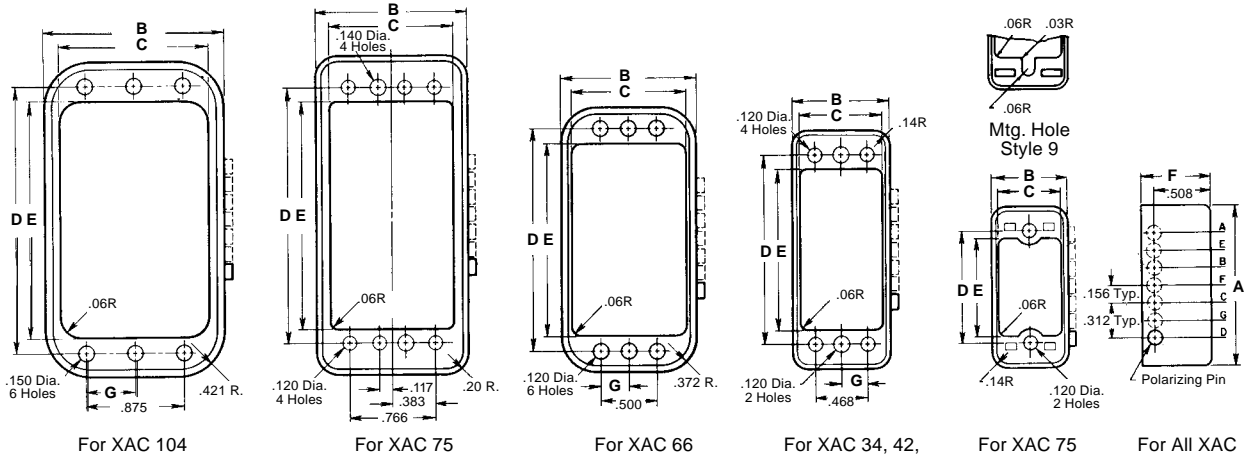
Rack & Panel

XAC SERIES

External Miniature Rectangular, Removable Contacts

OUTLINE SHELLS - PLUGS

Dimensions are for reference only and are subject to change. Outline drawings on request.



DIMENSIONS

Important Note When Ordering Plug Shells

The shell part numbers given in the table shows an asterisk (*) where the code letter for the desired polarizing position belongs - example: XMRE9-1*000 becomes XMRE9-1B000 when polarization in position "B" is desired. Specify the same position on the mating shell.

For non-polarized shells, merely omit this position, e.g. XMRE9-1000.

Shells are .040 in. thick.

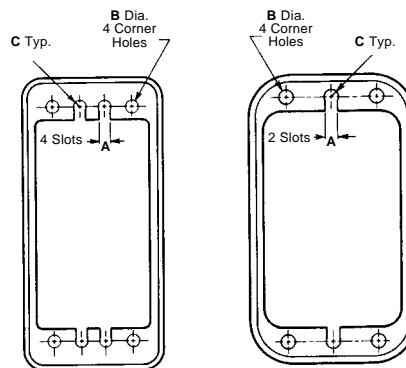
Stainless steel shells available for 66 and 104 sizes. Dimensions vary from those shown for aluminum shells. Check sales for availability and dimensions on all sizes.

Shell Part No. (If ordered separately)	DIMENSIONS							Wt. Oz.
	A	B	C	D	E	F	G	
XMRE 9-1*000	1.44	.5	.38	1.000	.88	.63	-	0.14
XMRE 14-1*000	1.38	.56	.45	.937	.81	.63	-	0.15
XMRE 18-1*000	1.44	.69	.58	1.000	.88	.63	-	0.16
XMRE 20-1*000	1.69	.56	.45	1.250	1.13	.63	-	0.18
XMRE 26-1*000	1.75	.69	.58	1.312	1.19	.63	-	0.22
XMRE 34-1*000	2.13	.88	.75	1.687	1.44	.66	.234	0.24
XMRE 42-1*000	2.44	.88	.75	2.000	1.75	.66	.234	0.26
XMRE 50-1*000	2.84	1	.75	2.282	2.03	.66	.234	0.28
XMRA 66-1*000	2.41	1.25	1.13	1.969	1.72	.66	.250	0.28
XMRE 75-1*000	2.84	1.36	1.11	2.282	2.03	.66	-	0.30
XMRA 104-1*000	2.88	1.66	1.48	2.375	2.13	.66	.437	0.30

TYPICAL SHELLS FOR MONOJACKS STYLE No. 3000

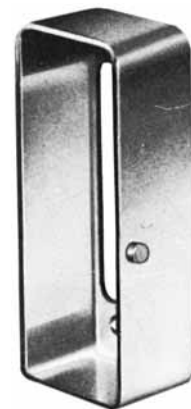
Shells are aluminum, anodized for protection against corrosion. Either shell style - plug or receptacle - may be used to house the female insert, thus allowing the "live" socket contacts to be cable or panel mounted, as desired. Shells also provide a means by which connector polarization is accomplished - the receptacle shell is slotted for engaging a polarizing pin on the plug shell. Any of seven positions (A, B, C, D, E, F or G) may be specified for polarization; non-polarized shells have the slot and pin omitted.

For Connector Size	A	B	C
34, 42, 50, 66, 75	.11	.120	.06R
104	.14	.150	.07R



For XAC 75 Configuration

For XAC 34, 42, 50, 66, and 104 Configurations



Plug Shell Style No. 1000

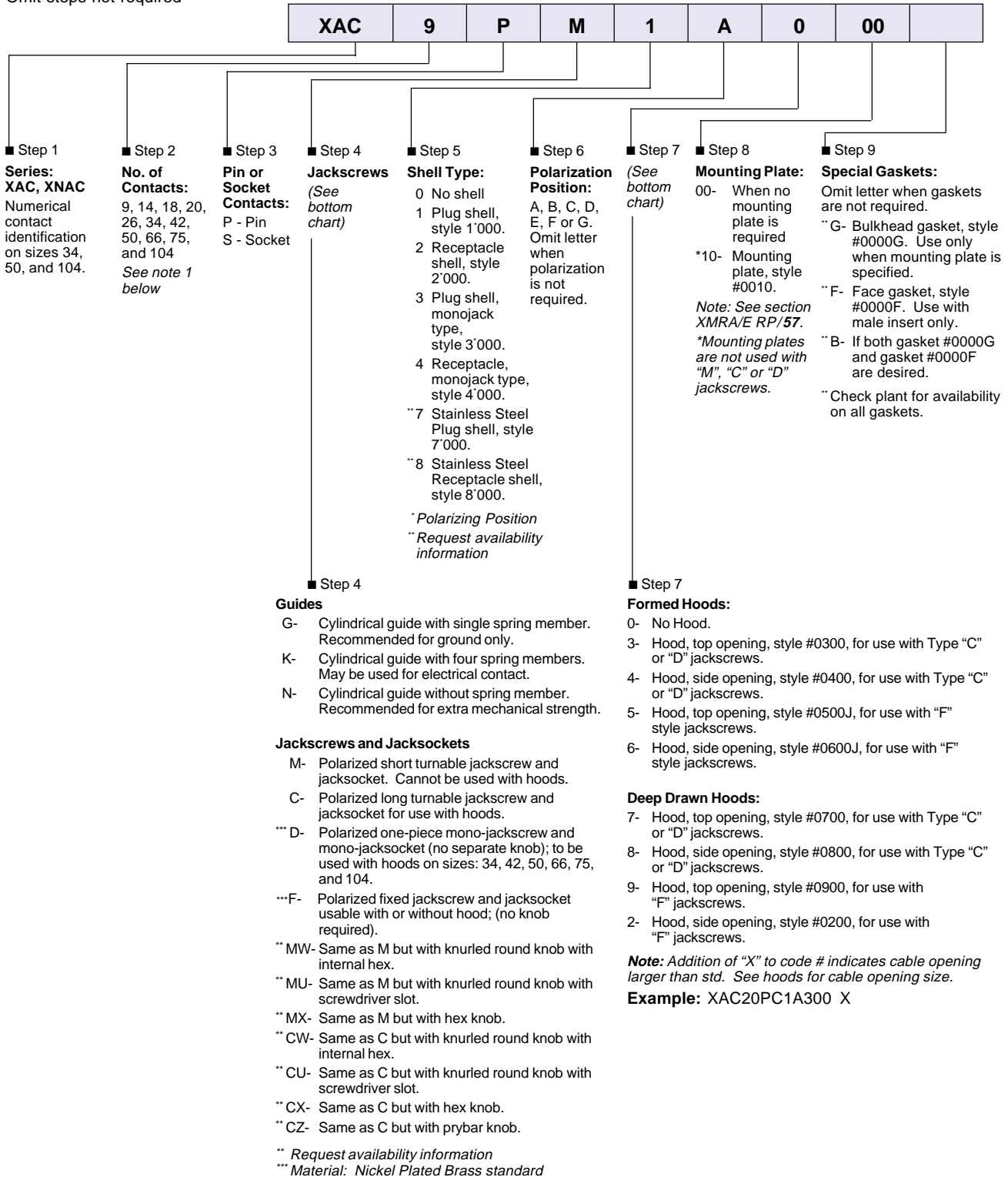
Shells are .040 in. thick.

Winchester/Retconn

62 Barnes Industrial Road North, Wallingford, Connecticut 06492 Phone:(203)741-5400 Fax:(203)741-5500 www.winchesterelectronics.com

ORDERING INFORMATION

Omit steps not required



Note: 1. Contacts are ordered separately. See 100 Series contact section of Rack & Panel