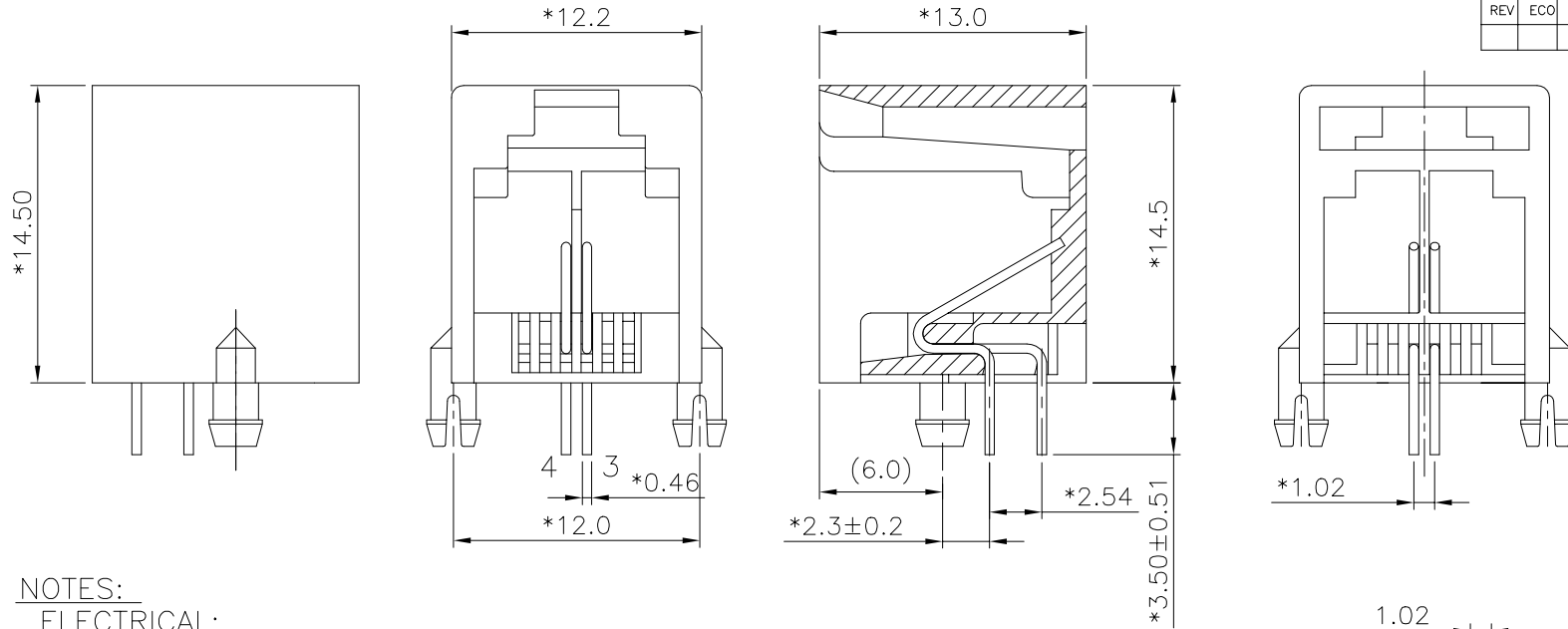


REVISION RECORD				
REV	ECO	DESCRIPTION	DRFT	CHKD



NOTES:

ELECTRICAL:

- VOLTAGE RATING : 125 VAC RMS.
- CURRENT RATING : 1.5 AMP.
- CONTACT RESISTANCE : 30 MILLIOHMS MAX.
- INSULATION RESISTANCE: 1000MEGOHMS MIN @ 500 VDC.
- DIELECTRIC STRENGTH : 1000 VAC RMS 60Hz, 1MIN.

MECHANICAL:

- HOUSING MATERIAL : GLASS FILLED POLYESTER UL94V-0.
- CONTACT MATERIAL : PHOSPHOR BRONZE $\phi 0.46$ mm.
- PLATING : GOLD PLATING OVER NICKEL.
- OPERATING LIFE : 750 CYCLES MIN.
- PCB RETENTION PRE-SOLDER : 1 LB MIN.
- PCB RETENTION POST-SOLDER: 10 LBS MIN.

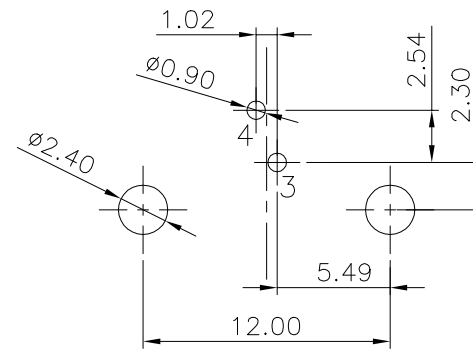
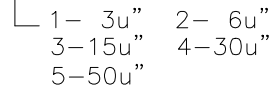
ENVIRONMENTAL:

- STORAGE : -40°C TO +85°C.
- OPERATION: 0°C TO 70°C.

MATES WITH MODULAR PLUG CONFORMING TO FCC PART 68, SUBPART F.

CUL FILE NO. E163191

PART NUMBER: E5562-6HL12X



PC Board Layout Component Side Shown

DETACHED LISTS	MM (INCH)	DFTO QIANPU	DATE 9/12/03'	FULL RISE ELECTRONIC CO., LTD	
	TOLERANCES EXCEPT AS NOTED	CHKD SYNGE	DATE 2003/09/18		
		MFO	DATE		
		APPVLCZH	DATE 2003/09/18		
	MM			TITLE	
	.0 ±0.20			MINI L/P PCB JACK 6P	
	.00 ±0.15			DRAWING NO. GE553017	SIZE A3
	.000 ±0.075			/PART NO. SEE NOTE	REV 0
ANGLES ±		QT'Y :		DO NOT SCALE DRAWING	
THIRD ANGLE PROJECTION		FINISH :		SHEET X	OF Y
		SCALE : 4:1			