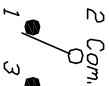


RECOMMENDED PCB LAYOUT



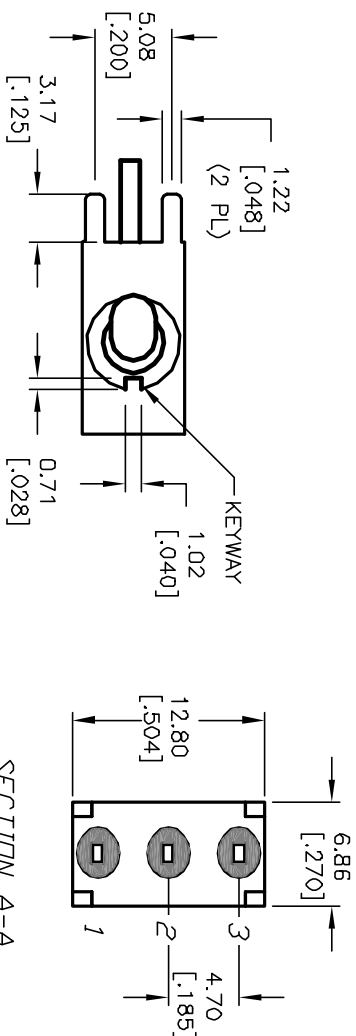
SPDT CIRCUIT CONTACT CONFIGURATION

SWITCH FUNCTION		
POS. 1	POS. 2	POS. 3
DN	NDNE	DN
2-3	DPEN	2-1

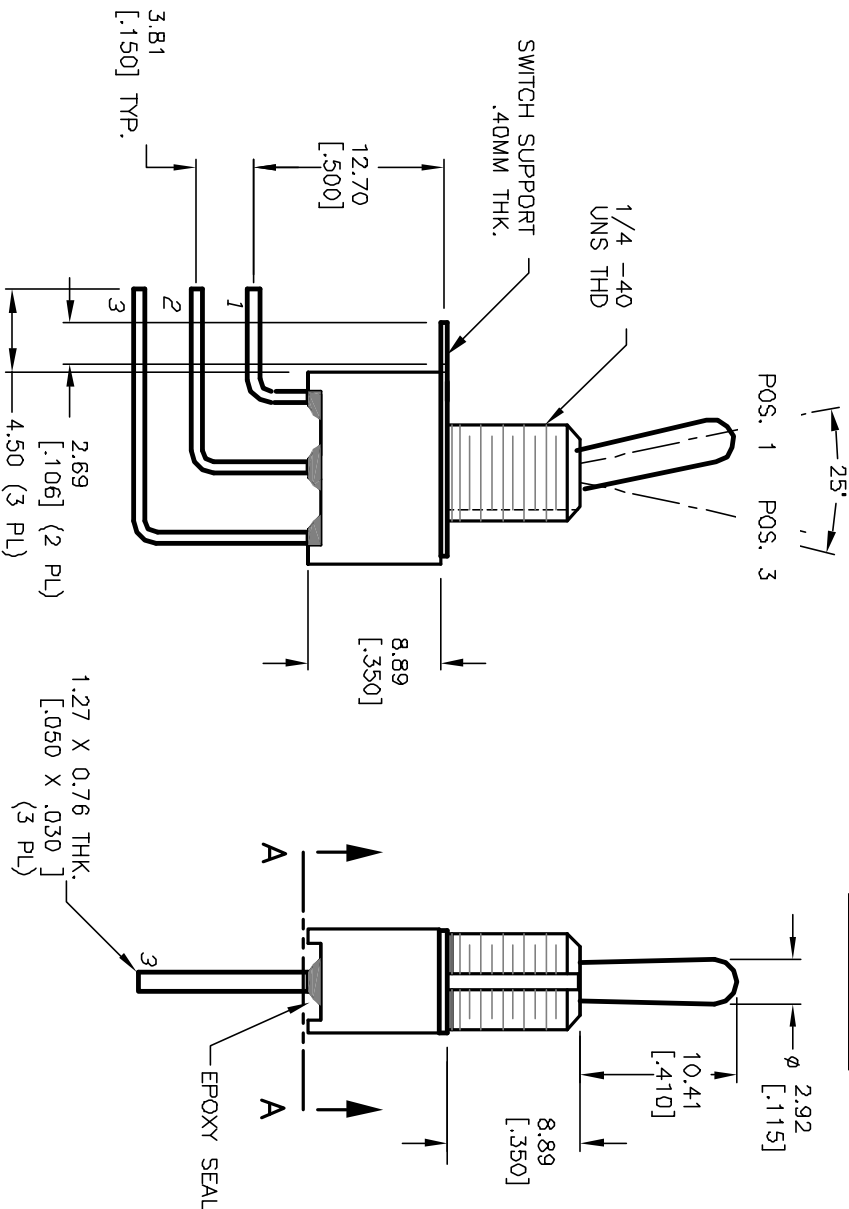
( ) = Momentary

NOTES:

1. ALL DIMENSIONS IN MM [INCH]
2. GENERAL TOLERANCE: X.XX=±0.4 X.XXX=±0.25
3. TERMINAL NUMBERS FOR REF ONLY
4. RATING: 5A @120VAC OR 28VDC; 2A @250VAC
5. FIXED TERM. & MOVING CONTACT: Cu Alloy w/ Silver plate.
6. ELECTRIC LIFE: 50,000 make-and-break cycles at full load.
7. INSULATION RESISTANCE: 1,000 Mega-ohm min.
8. DIELECTRIC STRENGTH: 1,000 V RMS @sea level.
9. OPERATING TEMP.: -30°C to +85°C



SECTION A-A



REV.	ECN NO.	DESCRIPTION	DATE	CHK'D
A	11588	REVISED AND REDRAWN	7/8/02	CB

TITLE	SCALE	DATE	DR	DWG	REV
100 SP-2 T1 B1 M7 Q E	2:1	--	--	T112002	A



THE INFORMATION CONTAINED IN THIS DOCUMENT IS PREPARED FOR THE SWITCH AND IS NOT TO BE COPIED OR TRANSMITTED