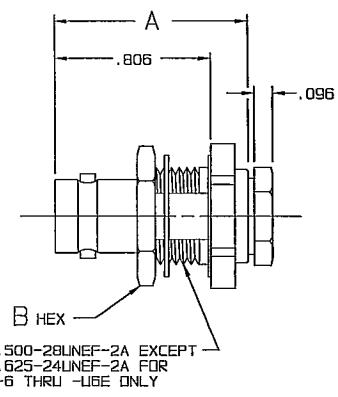


DATA CONTAINED IN THIS DOCUMENT IS PROPRIETARY TO TROMPETER ELECTRONICS INC. AND SHALL NOT BE DISCLOSED, COPIED OR USED FOR PROCUREMENT OR MANUFACTURE WITHOUT EXPRESS WRITTEN PERMISSION.

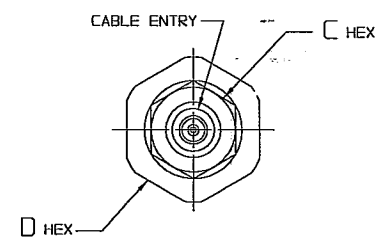
REVISIONS			1-0126		SH 1
REV	ECD	DESCRIPTION	DWN	APPROVED	DATE
U	16244	REVISED PER ECD 16244	L.M.	<i>M.M.C.</i>	10/20/68

DASH NO	FIG	CABLES ACCOMMODATED	A DIM	B HEX	C HEX	D HEX	E DIM	F DIA	ASSEMBLE PER
-1		RG-58, 142, 400							
-U1		ESSEX 621-715							
-2		RG-59							
-U2									
-2A		BELDEN 8279							
-U2A									
-2B		W.E.CO. 730A							
-U2B									
-3	1,3	RG-223	1.000	.625	.437	.687	.221	.510	
-U3							.218	.505	
-3A		RG-55							
-U3A									
-4		RG-122							
-U4		BELDEN 8218							
-5		RG-174							
-U5		RG-187							
-5A		RG-196							
-U5A									
-5B		HEWLETT-PACKARD 8120-1107							
-U5B									
-6	1	BELDEN 9231	1.030	.750	.500	.750	.284	.635	TAI-101
-U6							.281	.630	
-U6E		RG-5							
		RG-6							
-21		RG-303, RG-141							
-U21									
-22		RG-180							
-U22									
-31		GRILMAN GC875GP1							
-U31		RG-187 DBL SHLD							
-34	1,3	BELDEN 8228	1.000	.625	.437	.687	.221	.510	
-U34							.218	.505	
-36		275-3991 MICRODOT							
-U36		616-569 AMPEX							
-37		B10 RAYCHEM							
-U37									
-41		RG-304							
-U41		9248 BELDEN							
-44		BRAND-REX B749							
-U44		GORE C06C032							
-51	1	88281 BELDEN	1.030	.750	.500	.750	.284	.635	
-U51							.281	.630	
-52		89120 BELDEN							
-U52									
-53	1,3	89555 BELDEN							
-U53									
-63		734A, AT&T							
-U63			1.000	.625	.437	.687	.221	.510	
-086									
-U086		RG-405							
-141	2	RG-402							TAI-130
-U141									

FIG 1  
-1 SHOWN



RED INDICATES ORIGINAL



INCH	MM
.005	0.13
.096	2.44
.125	3.18
.218	5.54
.221	5.61
.250	6.35
.281	7.14
.284	7.21
.312	7.92
.437	11.10
.500	12.70
.505	12.83
.510	12.95
.625	15.88
.630	16.00
.635	16.13
.687	17.45
.750	19.05
.806	20.47
1.000	25.40
1.030	26.16
1.406	35.71
1.846	46.89

FIG 2  
-086 SHOWN

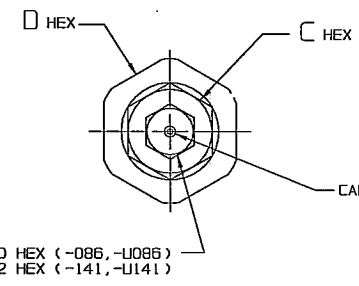
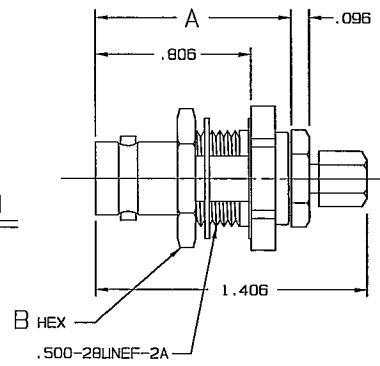
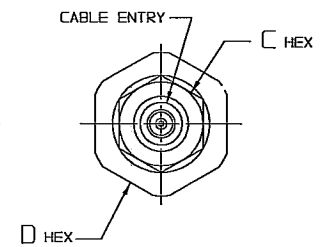
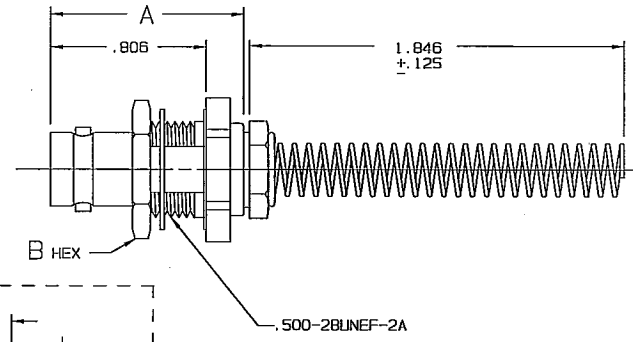
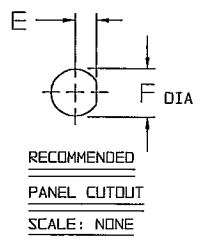


FIG 3  
-1 SHOWN



IF BEND RELIEF SPRING REQUIRED (FIG 3) ADD SUFFIX "BR" TO MODEL NO (NOT AVAILABLE WITH CABLE GROUPS -6, -U6, -6E, -U6E, -51, -U51, -52, -U52, -63, -U63, -086, -U086, -141 & -U141)

5. FEMALE TYPE BNC COAXIAL BULKHEAD JACKS, BOTH 50 & 75 OHM VERSIONS
4. MAX PANEL THK .218
3. DASH NO DENOTES CABLE GROUP EXCEPT "U" PREFIX DENOTES 75 OHM VERSION
2. FINISH: TFS-1A (NICKEL)
1. ALL DIM ARE IN INCHES



QTY	DESCRIPTION	PART NUMBER	ITEM
155-0347	TOL UNLESS SPECIFIED		
155-0338	.xx ±		
155-0297	.xxx ± .005		
155-0280	.xxx ±		
105-1016	ANGLE ±		
105-1004	DWN L.M. 10-5-06	TROMPETER ELECTRONICS, INC.	BJ29/UBJ29
105-0158	CHK <i>gl 10-6-68</i>	CODE IDENT	BJ29BR/UBJ29BR
110-0003	ENGR	14949	DRAWING NO.
105-0717	APPR <i>Am 10/6/68</i>	1-0126	REV
	NEXT ASSY	SCALE 2/1	DATE 12/31/68
		SHEET 1 OF 2	