

Phase Control Thyristors



Specification:

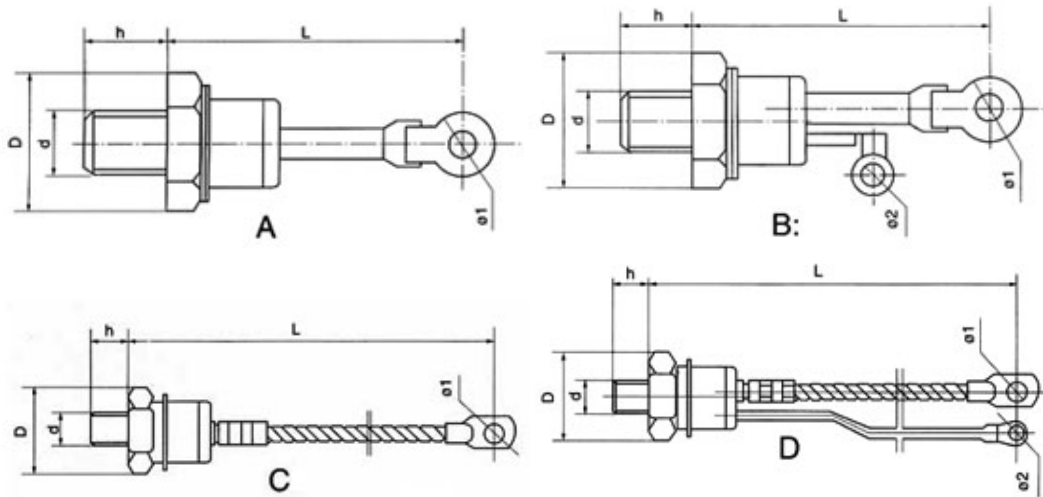
- $I_F(AV)=5-500A$
- $V_{DRM}/V_{RRM}=100-5000V$
- Hermetic metal case with ceramic insulator
- Hermetic glass-metal seal
- Conform to partial national standard JB/T8949.2-1999
- In accordance with IEC international electrical committee standard

Typical applications:

- DC motor controls
- Controlled DC power supplies
- AC switch and thermal control
- Synchronous motor excitation

Technical parameter:

Model	I_T	I_{FRSM}	V_{TM}	I_{DRM}	I_{GT}	V_{GT}	I_H	dv/dt	di/dt	R_{JC}	Weight	Outline (fig.)
	A	A	V	mA	mA	V	mA	V/us	A/us	°C/w	G	
KP5A	5	8	≤ 2.2	≤ 8	5-45	≤ 2.5	5-45	≥ 500	-	≤ 3	12	B1
KP10A	10	16	≤ 2.2	≤ 8	5-45	≤ 2.5	5-45	≥ 500	-	≤ 2.5	27	B2
KP20A	20	32	≤ 2.2	≤ 8	5-45	≤ 2.5	5-45	≥ 500	-	≤ 1	29	B3/D1
KP30A	30	48	≤ 2.2	≤ 10	5-50	≤ 2.5	5-50	≥ 800	≥ 100	≤ 0.5	112	D2
KP50A	50	80	≤ 2.4	≤ 10	5-150	≤ 2.5	5-150	≥ 800	≥ 100	≤ 0.14	142	D3
KP100A	100	160	≤ 2.4	≤ 10	5-200	≤ 2.5	5-200	≥ 800	≥ 100	≤ 0.11	207	D4
KP200A	200	320	≤ 2.6	≤ 10	5-200	≤ 2.5	5-200	≥ 800	≥ 100	≤ 0.11	327	D5
KP300A	300	480	≤ 2.6	≤ 30	5-200	≤ 2.5	5-200	≥ 800	≥ 100	≤ 0.08	472	D6
KP500A	500	800	≤ 2.6	≤ 30	5-200	≤ 2.5	5-200	≥ 800	≥ 100	≤ 0.04	927	D7



Outline	Dimension(mm)					
	d	D	L	h	1	2
B1	6	16	31	9	3	2
B2	8	22	41	12	4	2
B3	10	22	41	12	4	2
D1	10	27	190	13	5	4
D2	12	32	177	13	6.5	4
D3	12	34	179	13	6.5	4
D4	16	34	180	16	8	4
D5	20	45	220	20	10	4
D6	20	45	240	20	12	4
D7	30	57	350	30	15	4