



PRELIMINARY DATA SHEET

MSP 34x7G Multistandard Sound Processor Family

Edition Jan. 19, 2001
6251-535-2PD

 **MICRONAS**

Contents

Page	Section	Title
5	1.	Introduction
6	1.1.	Features of the MSP 34x7G Family and Differences to MSPD
6	1.2.	MSP 34x7G Version List
7	1.3.	MSP 34x7G Versions and their Application Fields
8	2.	Functional Description
9	2.1.	Architecture of the MSP 34x7G Family
9	2.2.	Sound IF Processing
9	2.2.1.	Analog Sound IF Input
9	2.2.2.	Demodulator: Standards and Features
10	2.2.3.	Preprocessing of Demodulator Signals
10	2.2.4.	Automatic Sound Select
10	2.2.5.	Manual Mode
12	2.3.	Preprocessing for SCART
12	2.4.	Source Selection and Output Channel Matrix
12	2.5.	Audio Baseband Processing
12	2.5.1.	Automatic Volume Correction (AVC)
12	2.5.2.	Quasi-Peak Detector
13	2.6.	SCART Signal Routing
13	2.6.1.	SCART DSP In and SCART Out Select
13	2.6.2.	Stand-by Mode
13	2.7.	Digital Control I/O Pins and Status Change Indication
13	2.8.	Clock PLL Oscillator and Crystal Specifications
14	3.	Control Interface
14	3.1.	I ² C Bus Interface
14	3.1.1.	Internal Hardware Error Handling
15	3.1.2.	Description of CONTROL Register
15	3.1.3.	Protocol Description
16	3.1.4.	Proposals for General MSP 34x7G I ² C Telegrams
16	3.1.4.1.	Symbols
16	3.1.4.2.	Write Telegrams
16	3.1.4.3.	Read Telegrams
16	3.1.4.4.	Examples
16	3.2.	Start-Up Sequence: Power-Up and I ² C-Controlling
16	3.3.	MSP 34x7G Programming Interface
16	3.3.1.	User Registers Overview
18	3.3.2.	Description of User Registers
19	3.3.2.1.	STANDARD SELECT Register
19	3.3.2.2.	Refresh of STANDARD SELECT Register
19	3.3.2.3.	STANDARD RESULT Register
21	3.3.2.4.	Write Registers on I ² C Subaddress 10 _{hex}
22	3.3.2.5.	Read Registers on I ² C Subaddress 11 _{hex}
23	3.3.2.6.	Write Registers on I ² C Subaddress 12 _{hex}
29	3.3.2.7.	Read Registers on I ² C Subaddress 13 _{hex}
30	3.4.	Programming Tips
30	3.5.	Examples of Minimum Initialization Codes

Contents, continued

Page	Section	Title
30	3.5.1.	B/G-FM (A2 or NICAM)
30	3.5.2.	BTSC-Stereo
30	3.5.3.	BTSC-SAP with SAP at Loudspeaker Channel
31	3.5.4.	FM-Stereo Radio
31	3.5.5.	Automatic Standard Detection
31	3.5.6.	Software Flow for Interrupt driven STATUS Check
33	4.	Specifications
33	4.1.	Outline Dimensions
34	4.2.	Pin Connections and Short Descriptions
36	4.3.	Pin Descriptions
38	4.4.	Pin Configurations
39	4.5.	Pin Circuits
41	4.6.	Electrical Characteristics
41	4.6.1.	Absolute Maximum Ratings
42	4.6.2.	Recommended Operating Conditions
42	4.6.2.1.	General Recommended Operating Conditions
42	4.6.2.2.	Analog Input and Output Recommendations
43	4.6.2.3.	Recommendations for Analog Sound IF Input Signal
44	4.6.2.4.	Crystal Recommendations
45	4.6.3.	Characteristics
45	4.6.3.1.	General Characteristics
46	4.6.3.2.	Digital Inputs, Digital Outputs
47	4.6.3.3.	Reset Input and Power-Up
48	4.6.3.4.	I ² C Bus Characteristics
49	4.6.3.5.	Analog Baseband Inputs and Outputs, AGNDC
50	4.6.3.6.	Sound IF Input
50	4.6.3.7.	Power Supply Rejection
51	4.6.3.8.	Analog Performance
52	4.6.3.9.	Sound Standard Dependent Characteristics
56	5.	Appendix A: Overview of TV Sound Standards
56	5.1.	NICAM 728
57	5.2.	A2 Systems
58	5.3.	BTSC-Sound System
58	5.4.	Japanese FM Stereo System (EIA-J)
59	5.5.	FM Satellite Sound
59	5.6.	FM-Stereo Radio
60	6.	Appendix B: Manual/Compatibility Mode
60	6.1.	Demodulator Write and Read Registers for Manual/Compatibility Mode
61	6.2.	DSP Write and Read Registers for Manual/Compatibility Mode
62	6.3.	Manual/Compatibility Mode: Description of Demodulator Write Registers
62	6.3.1.	Automatic Switching between NICAM and Analog Sound
62	6.3.1.1.	Function in Automatic Sound Select Mode
62	6.3.1.2.	Function in Manual Mode
64	6.3.2.	A2 Threshold
64	6.3.3.	Carrier-Mute Threshold

Contents, continued

Page	Section	Title
65	6.3.4.	Register AD_CV
67	6.3.5.	Register MODE_REG
68	6.3.6.	FIR-Parameter, Registers FIR1 and FIR2
68	6.3.7.	DCO-Registers
70	6.4.	Manual/Compatibility Mode: Description of Demodulator Read Registers
70	6.4.1.	NICAM Mode Control/Additional Data Bits Register
70	6.4.2.	Additional Data Bits Register
70	6.4.3.	CIB Bits Register
71	6.4.4.	NICAM Error Rate Register
71	6.4.5.	PLL_CAPS Readback Register
71	6.4.6.	AGC_GAIN Readback Register
71	6.4.7.	Automatic Search Function for FM-Carrier Detection in Satellite Mode
72	6.5.	Manual/Compatibility Mode: Description of DSP Write Registers
72	6.5.1.	Additional Channel Matrix Modes
72	6.5.2.	Volume Modes of SCART1 Output
72	6.5.3.	FM Fixed Deemphasis
72	6.5.4.	FM Adaptive Deemphasis
72	6.5.5.	NICAM Deemphasis
73	6.5.6.	Identification Mode for A2 Stereo Systems
73	6.5.7.	FM DC Notch
73	6.6.	Manual/Compatibility Mode: Description of DSP Read Registers
73	6.6.1.	Stereo Detection Register for A2 Stereo Systems
73	6.6.2.	DC Level Register
74	6.7.	Demodulator Source Channels in Manual Mode
74	6.7.1.	Terrestrial Sound Standards
74	6.7.2.	SAT Sound Standards
74	6.8.	Exclusions of Audio Baseband Features
74	6.9.	Compatibility Restrictions to MSP 34x7D
76	7.	Appendix D: Application Information
76	7.1.	Phase Relationship of Analog Outputs
77	7.2.	Application Circuit
78	8.	Appendix E: MSP 34x7G Version History
78	9.	Data Sheet History

License Notice:

“Dolby Pro Logic” is a trademark of Dolby Laboratories.

Supply of this implementation of Dolby Technology does not convey a license nor imply a right under any patent, or any other industrial or intellectual property right of Dolby Laboratories, to use this implementation in any finished end-user or ready-to-use final product. Companies planning to use this implementation in products must obtain a license from Dolby Laboratories Licensing Corporation before designing such products.

Multistandard Sound Processor Family

Release Note: Revision bars indicate significant changes to the previous edition. The hardware and software description in this document is valid for the MSP 34x7G version B8 and following versions.

1. Introduction

The MSP 34x7G family of single-chip Multistandard Sound Processors covers the sound processing of all analog TV standards worldwide, as well as the NICAM digital sound standards. The full TV sound processing, starting with analog sound IF signal-in, down to processed analog AF-out, is performed in a single chip. Figure 1–1 shows a simplified functional block diagram of the MSP 34x7G.

These TV sound processing ICs include versions for processing the multichannel television sound (MTS) signal conforming to the standard recommended by the Broadcast Television Systems Committee (BTSC). The DBX noise reduction, or alternatively, Micronas Noise Reduction (MNR) is performed alignment free.

Other processed standards are the Japanese FM-FM multiplex standard (EIA-J) and the FM-Stereo-Radio standard.

Current ICs have to perform adjustment procedures in order to achieve good stereo separation for BTSC and

EIA-J. The MSP 34x7G has optimum stereo performance without any adjustments.

All MSP 34xxG versions are pin compatible to the MSP 34xxD. Only minor modifications are necessary to adapt a MSP 34xxD controlling software to the MSP 34xxG. The MSP 34x7G further simplifies controlling software. Standard selection requires a single I²C transmission only.

Note: The MSP 34x7G version has reduced control registers and less functional pins. The remaining registers are software-compatible to the MSP 34x0G. The pinning is compatible to the MSP 34x0G.

The MSP 34x7G has built-in automatic functions: The IC is able to detect the actual sound standard automatically (Automatic Standard Detection). Furthermore, pilot levels and identification signals can be evaluated internally with subsequent switching between mono/stereo/bilingual; no I²C interaction is necessary (Automatic Sound Selection).

The MSP 34x7G can handle very high FM deviations even in conjunction with NICAM processing. This is especially important for the introduction of NICAM in China.

The ICs are produced in submicron CMOS technology. The MSP 34x7G is available in the following packages: PSDIP52 and PMQFP44.

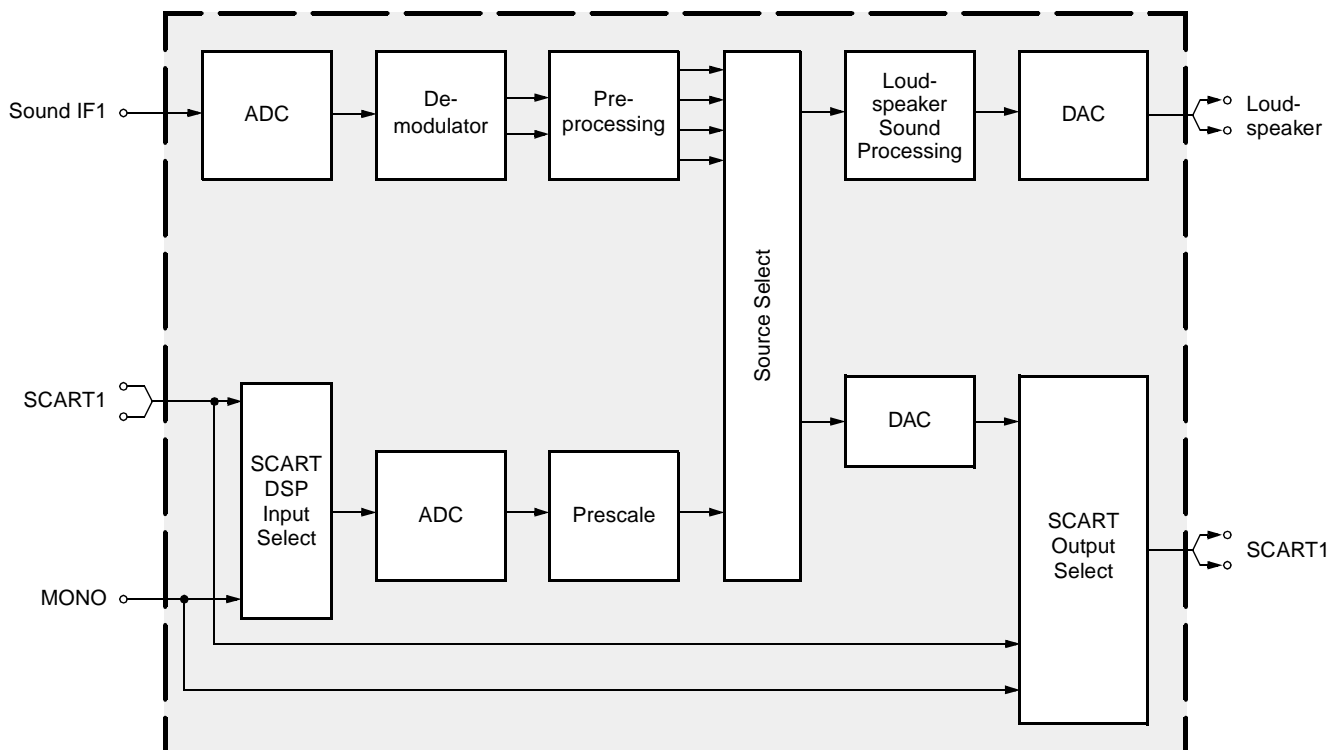


Fig. 1–1: Simplified functional block diagram of MSP 34x7G

1.1. Features of the MSP 34x7G Family and Differences to MSPD

Feature (Features not available for MSPD are shaded gray.)	3407	3417	3427	3447	3457	3467
Standard Selection with single I ² C transmission	X	X	X	X	X	X
Automatic Standard Detection of terrestrial TV standards	X	X	X	X	X	X
Automatic Sound Selection (mono/stereo/bilingual), new registers MODUS, STATUS	X	X	X	X	X	X
Automatic Carrier Mute function	X	X	X	X	X	X
Interrupt output programmable (indicating status change)	X	X	X	X	X	X
Loudspeaker channel with volume	X	X	X	X	X	X
AVC: Automatic Volume Correction	X	X	X	X	X	X
One Stereo SCART (line) input, one Mono input; one Stereo SCART output	X	X	X	X	X	X
Complete SCART in/out switching matrix	X	X	X	X	X	X
All analog Mono sound carriers including AM-SECAM L	X	X	X	X	X	X
All analog FM-Stereo A2 and satellite standards	X	X			X	
All NICAM standards		X			X	
Simultaneous demodulation of (very) high-deviation FM-Mono and NICAM		X			X	
Adaptive deemphasis for satellite (Wegener-Panda, acc. to ASTRA specification)	X	X			X	X
Demodulation of the BTSC multiplex signal and the SAP channel			X	X	X	
Alignment free digital DBX noise reduction for BTSC Stereo and SAP				X	X	
Alignment free digital Micronas Noise Reduction (MNR) for BTSC Stereo and SAP			X			
BTSC stereo separation (MSP 3427/47G also EIA-J) significantly better than spec.			X	X	X	
SAP and stereo detection for BTSC system			X	X	X	
Korean FM-Stereo A2 standard	X	X	X	X	X	
Alignment-free Japanese standard EIA-J			X	X	X	
Demodulation of the FM-Radio multiplex signal			X	X	X	

1.2. MSP 34x7G Version List

Version	Status	Description
MSP 3407G	available	FM Stereo (A2) Version
MSP 3417G	available	NICAM and FM Stereo (A2) Version
MSP 3427G	not confirmed	NTSC Version (A2 Korea, BTSC with Micronas Noise Reduction (MNR), Japanese EIA-J system)
MSP 3447G	not confirmed	NTSC Version (A2 Korea, BTSC with DBX noise reduction, Japanese EIA-J system)
MSP 3457G	not confirmed	Global Stereo Version (all sound standards)
MSP 3467G	not confirmed	Global Mono Version (all sound standards)

1.3. MSP 34x7G Versions and their Application Fields

Table 1–1 provides an overview of TV sound standards that can be processed by the MSP 34x7G family. In addition, the MSP 34x7G is able to handle the FM-Radio standard. With the MSP 34x7G, a complete

multimedia receiver covering all TV sound standards together with terrestrial/cable and satellite radio sound can be built.

Table 1–1: TV Stereo Sound Standards covered by the MSP 34x7G IC Family (details see Appendix A)

MSP Version	TV-System	Position of Sound Carrier /MHz	Sound Modulation	Color System	Broadcast e.g. in:
3407	B/G	5.5/5.7421875	FM-Stereo (A2)	PAL	Germany
		5.5/5.85	FM-Mono/NICAM	PAL	Scandinavia, Spain
3407	L	6.5/5.85	AM-Mono/NICAM	SECAM-L	France
	I	6.0/6.552	FM-Mono/NICAM	PAL	UK, Hong Kong
3407	D/K	6.5/6.2578125	FM-Stereo (A2, D/K1)	SECAM-East	Slovak. Rep.
		6.5/6.7421875	FM-Stereo (A2, D/K2)	PAL	currently no broadcast
		6.5/5.7421875	FM-Stereo (A2, D/K3)	SECAM-East	Poland
		6.5/5.85	FM-Mono/NICAM (D/K, NICAM)	PAL	China, Hungary
3407	Satellite	6.5 7.02/7.2 7.38/7.56 etc.	FM-Mono FM-Stereo	PAL	Europe Sat. ASTRA
3427, 3447	M/N	4.5/4.724212	FM-Stereo (A2)	NTSC	Korea
		4.5	FM-FM (EIA-J)	NTSC	Japan
		4.5	BTSC-Stereo + SAP	NTSC, PAL	USA, Argentina
3457	FM-Radio	10.7	FM-Stereo Radio		USA, Europe
3467	All standards as above, but Mono demodulation only.				

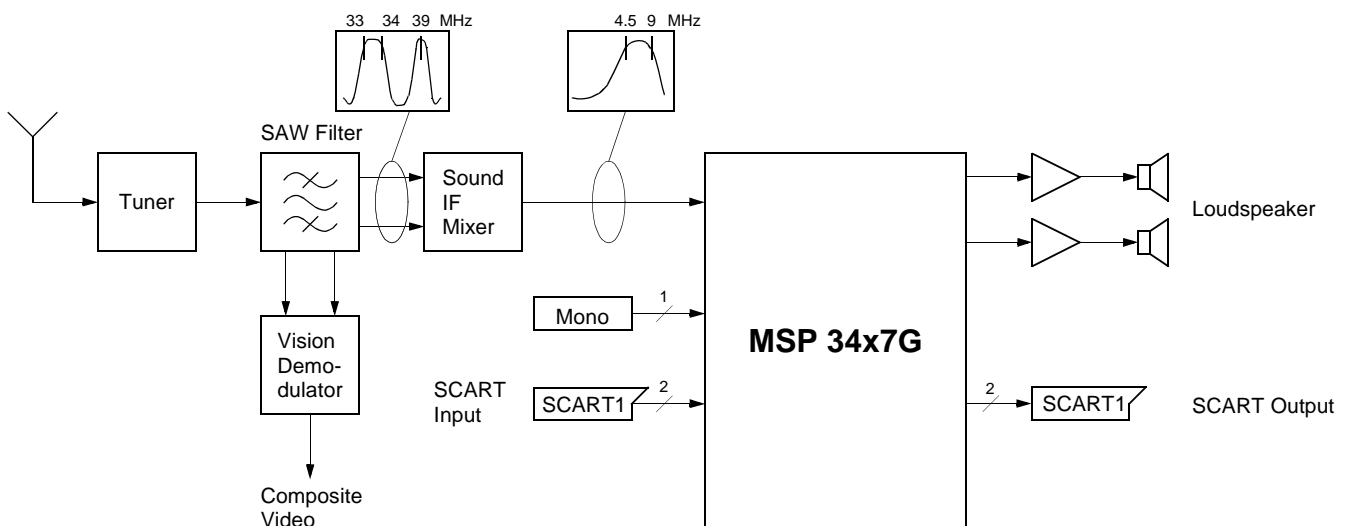


Fig. 1–2: Typical MSP 34x7G application

2. Functional Description

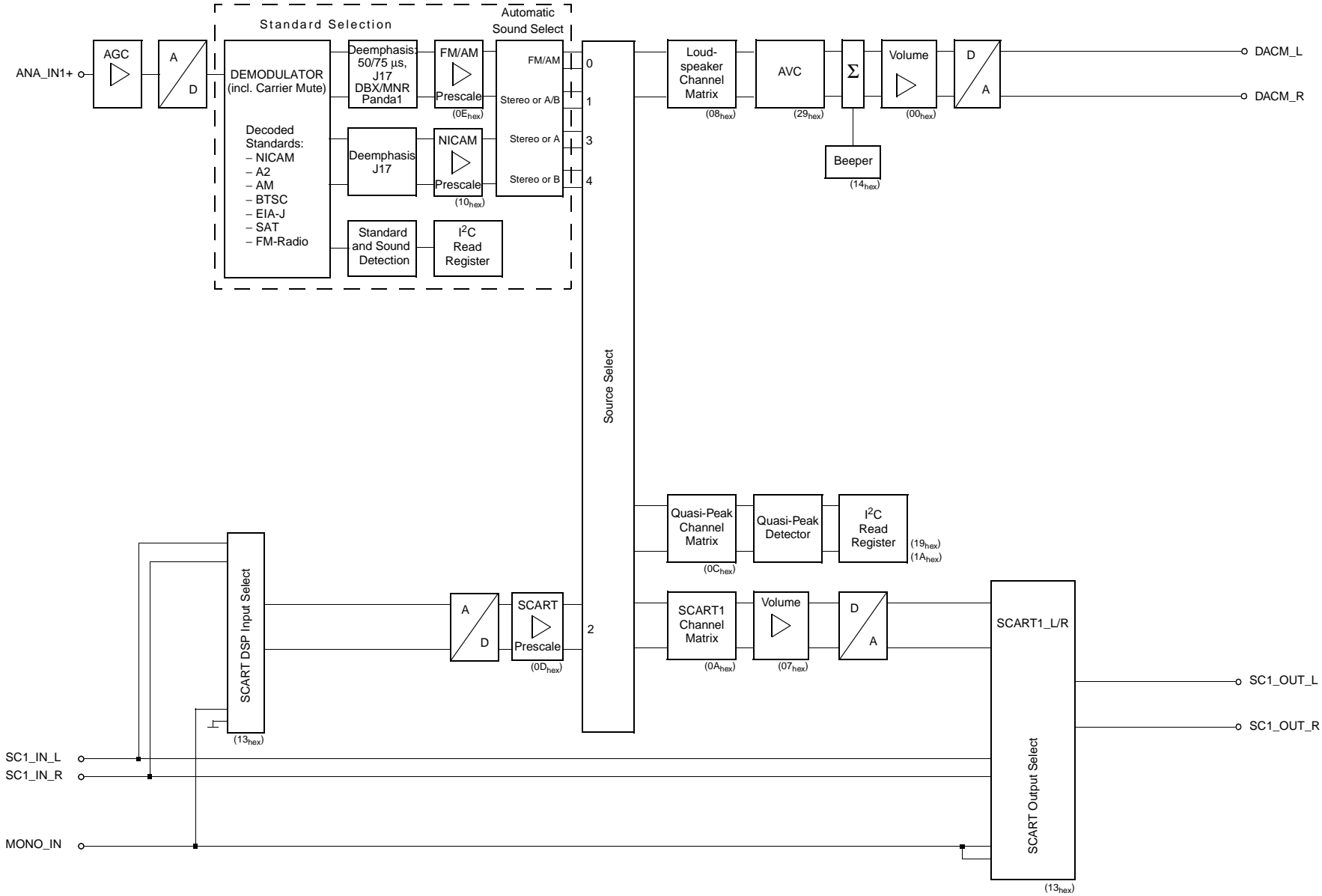


Fig. 2-1: Signal flow block diagram of the MSP 34x7G (input and output names correspond to pin names).

2.1. Architecture of the MSP 34x7G Family

Fig. 2–1 on page 8 shows a simplified block diagram of the IC. The block diagram contains all features of the MSP 3457G. Other members of the MSP 34x7G family do not have the complete set of features: The demodulator handles only a subset of the standards presented in the demodulator block; NICAM processing is only possible in the MSP 3417G and MSP 3457G (see dashed block in Fig. 2–1).

2.2. Sound IF Processing

2.2.1. Analog Sound IF Input

The input pins ANA_IN1+ and ANA_IN– offer the possibility to connect sound IF (SIF) sources to the MSP 34x7G. The analog-to-digital conversion of the sound IF signal is done by an A/D-converter. An analog automatic gain circuit (AGC) allows a wide range of input levels. The high-pass filter formed by the coupling capacitor at pin ANA_IN1+ (see Section 7. “Appendix D: Application Information” on page 76) is sufficient in most cases to suppress video components. Some combinations of SAW filters and sound IF mixer ICs, however, show large picture components on their outputs. In this case, further filtering is recommended.

2.2.2. Demodulator: Standards and Features

The MSP 34x7G is able to demodulate all TV sound standards worldwide including the digital NICAM system. Depending on the MSP 34x7G version, the following demodulation modes can be performed:

A2-Systems: Detection and demodulation of two separate FM carriers (FM1 and FM2), demodulation and evaluation of the identification signal of carrier FM2.

NICAM-Systems: Demodulation and decoding of the NICAM carrier, detection and demodulation of the analog (FM or AM) carrier. For D/K-NICAM, the FM carrier may have a maximum deviation of 384 kHz.

Very high deviation FM-Mono: Detection and robust demodulation of one FM carrier with a maximum deviation of 540 kHz.

BTSC-Stereo: Detection and FM demodulation of the aural carrier resulting in the MTS/MPX signal. Detection and evaluation of the pilot carrier, AM demodulation of the (L-R)-carrier and detection of the SAP subcarrier. Processing of the DBX noise reduction or Micronas Noise Reduction (MNR).

BTSC-Mono + SAP: Detection and FM demodulation of the aural carrier resulting in the MTS/MPX signal. Detection and evaluation of the pilot carrier, detection and FM demodulation of the SAP-subcarrier. Processing of the DBX noise reduction or Micronas Noise Reduction (MNR).

Japan Stereo: Detection and FM demodulation of the aural carrier resulting in the MPX signal. Demodulation and evaluation of the identification signal and FM demodulation of the (L-R)-carrier.

FM-Satellite Sound: Demodulation of one or two FM carriers. Processing of high-deviation mono or narrow bandwidth mono, stereo, or bilingual satellite sound according to the ASTRA specification.

FM-Stereo-Radio: Detection and FM demodulation of the aural carrier resulting in the MPX signal. Detection and evaluation of the pilot carrier and AM demodulation of the (L-R)-carrier.

The demodulator blocks of all MSP 34x7G versions have identical user interfaces. Even completely different systems like the BTSC and NICAM systems are controlled the same way. Standards are selected by means of MSP Standard Codes. Automatic processes handle standard detection and identification without controller interaction. The key features of the MSP 34x7G demodulator blocks are

Standard Selection: The controlling of the demodulator is minimized: All parameters, such as tuning frequencies or filter bandwidth, are adjusted automatically by transmitting one single value to the STANDARD SELECT register. For all standards, specific MSP standard codes are defined.

Automatic Standard Detection: If the TV sound standard is unknown, the MSP 34x7G can automatically detect the actual standard, switch to that standard, and respond the actual MSP standard code.

Automatic Carrier Mute: To prevent noise effects or FM identification problems in the absence of an FM carrier, the MSP 34x7G offers a configurable carrier mute feature, which is activated automatically if the TV sound standard is selected by means of the STANDARD SELECT register. If no FM carrier is detected at one of the two MSP demodulator channels, the corresponding demodulator output is muted. This is indicated in the STATUS register.

2.2.3. Preprocessing of Demodulator Signals

The NICAM signals must be processed by a deemphasis filter and adjusted in level. The analog demodulated signals must be processed by a deemphasis filter, adjusted in level, and dematrixed. The correct deemphasis filters are already selected by setting the standard in the STANDARD SELECT register. The level adjustment has to be done by means of the FM/AM and NICAM prescale registers. The necessary dematrix function depends on the selected sound standard and the actual broadcasted sound mode (mono, stereo, or bilingual). It can be manually set by the FM Matrix Mode register or automatically by the Automatic Sound Selection.

2.2.4. Automatic Sound Select

In the Automatic Sound Select mode, the dematrix function is automatically selected based on the identification information in the STATUS register. No I²C interaction is necessary when the broadcasted sound mode changes (e.g. from mono to stereo).

The demodulator supports the identification check by switching between mono-compatible standards (standards that have the same FM-Mono carrier) automatically and non-audible. If B/G-FM or B/G-NICAM is selected, the MSP will switch between these standards. The same action is performed for the standards: D/K1-FM, D/K2-FM, D/K3-FM and D/K-NICAM. Switching is only done in the absence of any stereo or bilingual identification. If identification is found, the MSP keeps the detected standard.

In case of high bit-error rates, the MSP 34x7G automatically falls back from digital NICAM sound to analog FM or AM mono.

Table 2–1 summarizes all actions that take place when Automatic Sound Select is switched on.

To provide more flexibility, the Automatic Sound Select block prepares four different source channels of demodulated sound (Fig. 2–2). By choosing one of the four demodulator channels, the preferred sound mode can be selected for each of the output channels (loudspeaker, headphone, etc.). This is done by means of the Source Select registers.

The following source channels of demodulated sound are defined:

- **“FM/AM” channel:** Analog mono sound, stereo if available. In case of NICAM, analog mono only (FM or AM mono).
- **“Stereo or A/B” channel:** Analog or digital mono sound, stereo if available. In case of bilingual broadcast, it contains both languages A (left) and B (right).

- **“Stereo or A” channel:** Analog or digital mono sound, stereo if available. In case of bilingual broadcast, it contains language A (on left and right).
- **“Stereo or B” channel:** Analog or digital mono sound, stereo if available. In case of bilingual broadcast, it contains language B (on left and right).

Fig. 2–2 and Table 2–2 show the source channel assignment of the demodulated signals in case of Automatic Sound Select mode for all sound standards.

Note: The analog primary input channel contains the signal of the mono FM/AM carrier or the L+R signal of the MPX carrier. The secondary input channel contains the signal of the 2nd FM carrier, the L-R signal of the MPX carrier, or the SAP signal.

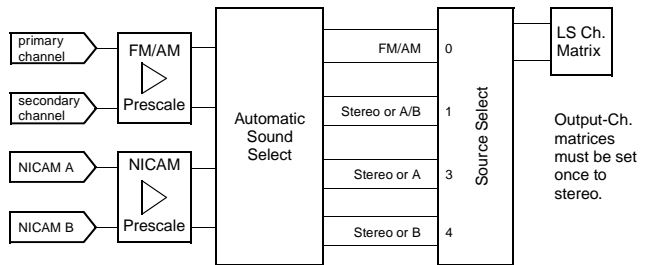


Fig. 2–2: Source channel assignment of demodulated signals in Automatic Sound Select Mode

2.2.5. Manual Mode

Fig. 2–3 shows the source channel assignment of demodulated signals in case of manual mode. If manual mode is required, more information can be found in Section 6.7. “Demodulator Source Channels in Manual Mode” on page 74.

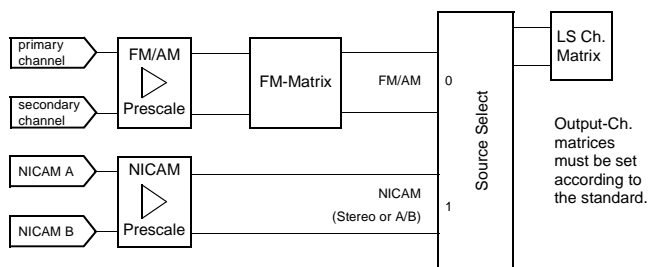


Fig. 2–3: Source channel assignment of demodulated signals in Manual Mode

Table 2–1: Performed actions of the Automatic Sound Selection

Selected TV Sound Standard	Performed Actions
B/G-FM, D/K-FM, M-Korea, and M-Japan	Evaluation of the identification signal and automatic switching to mono, stereo, or bilingual. Preparing four demodulator source channels according to Table 2–2.
B/G-NICAM, L-NICAM, I-NICAM, D/K-NICAM	Evaluation of NICAM-C-bits and automatic switching to mono, stereo, or bilingual. Preparing four demodulator source channels according to Table 2–2. In case of bad or no NICAM reception, the MSP switches automatically to FM/AM mono and switches back to NICAM if possible. A hysteresis prevents periodical switching.
B/G-FM, B/G-NICAM or D/K1-FM, D/K2-FM, D/K3-FM, and D/K-NICAM	Automatic searching for stereo/bilingual-identification in case of mono transmission. Automatic and non-audible changes between Dual-FM and FM-NICAM standards while listening to the basic FM-mono sound carrier. Example: If starting with B/G-FM-Stereo, there will be a periodical alternation to B/G-NICAM in the absence of FM-Stereo/Bilingual or NICAM-identification. Once an identification is detected, the MSP keeps the corresponding standard.
BTSC-STEREO, FM Radio	Evaluation of the pilot signal and automatic switching to mono or stereo. Preparing four demodulator source channels according to Table 2–2. Detection of the SAP carrier.
M-BTSC-SAP	In the absence of SAP, the MSP switches to BTSC-stereo if available. If SAP is detected, the MSP switches automatically to SAP (see Table 2–2).

Table 2–2: Sound modes for the demodulator source channels with Automatic Sound Select

Broadcasted Sound Standard	Selected MSP Standard Code ³⁾	Broadcasted Sound Mode	Source Channels in Automatic Sound Select Mode			
			FM/AM (source select: 0)	Stereo or A/B (source select: 1)	Stereo or A (source select: 3)	Stereo or B (source select: 4)
M-Korea B/G-FM D/K-FM M-Japan	02 03, 08 ¹⁾ 04, 05, 07, 0B ¹⁾ 30	MONO	Mono	Mono	Mono	Mono
		STEREO	Stereo	Stereo	Stereo	Stereo
		BILINGUAL: Languages A and B	Right = B	Left = A Right = B	A	B
B/G-NICAM L-NICAM I-NICAM D/K-NICAM D/K-NICAM (with high deviation FM)	08, 03 ²⁾ 09 0A 0B, 04 ²⁾ , 05 ²⁾ 0C, 0D	NICAM not available or error rate too high	analog Mono	analog Mono	analog Mono	analog Mono
		MONO	analog Mono	NICAM Mono	NICAM Mono	NICAM Mono
		STEREO	analog Mono	NICAM Stereo	NICAM Stereo	NICAM Stereo
		BILINGUAL: Languages A and B	analog Mono	Left = NICAM A Right = NICAM B	NICAM A	NICAM B
BTSC	20, 21	MONO	Mono	Mono	Mono	Mono
		STEREO	Stereo	Stereo	Stereo	Stereo
	20	MONO + SAP	Mono	Mono	Mono	Mono
		STEREO + SAP	Stereo	Stereo	Stereo	Stereo
		21	MONO + SAP	Left = Mono Right = SAP	Left = Mono Right = SAP	Mono
STEREO + SAP	Left = Mono Right = SAP		Left = Mono Right = SAP	Mono	SAP	
FM Radio	40	MONO	Mono	Mono	Mono	Mono
		STEREO	Stereo	Stereo	Stereo	Stereo

1) The Automatic Sound Select process will automatically switch to the mono compatible analog standard.
 2) The Automatic Sound Select process will automatically switch to the mono compatible digital standard.
 3) The MSP Standard Codes are defined in Table 3–7 on page 18.

2.3. Preprocessing for SCART

The SCART input need only be adjusted in level by means of the SCART prescale register.

2.4. Source Selection and Output Channel Matrix

The Source Selector makes it possible to distribute all source signals (one of the demodulator source channels or SCART) to the desired output channels (loudspeaker, etc.). All input and output signals can be processed simultaneously. Each source channel is identified by a unique source address.

For each output channel, the sound mode can be set to sound A, sound B, stereo, or mono by means of the output channel matrix.

If Automatic Sound Select is on, the output channel matrix can stay fixed to stereo (transparent) for demodulated signals.

2.5. Audio Baseband Processing

2.5.1. Automatic Volume Correction (AVC)

Different sound sources (e.g. terrestrial channels, SAT channels, or SCART) fairly often do not have the same volume level. Advertisements during movies usually have a higher volume level than the movie itself. This results in annoying volume changes. The AVC solves this problem by equalizing the volume level.

To prevent clipping, the AVC's gain decreases quickly in dynamic boost conditions. To suppress oscillation effects, the gain increases rather slowly for low level inputs. The decay time is programmable by means of the AVC register (see page 27).

For input signals ranging from -24 dBr to 0 dBr, the AVC maintains a fixed output level of -18 dBr. Fig. 2-4 shows the AVC output level versus its input level. For prescale and volume registers set to 0 dB, a level of 0 dBr corresponds to full scale input/output. This is

- SCART input/output 0 dBr = $2.0 V_{rms}$
- Loudspeaker output 0 dBr = $1.4 V_{rms}$

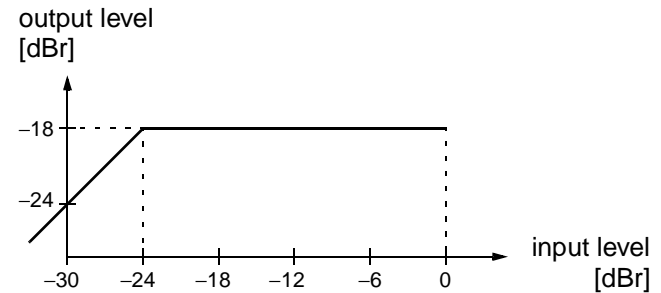


Fig. 2-4: Simplified AVC characteristics

2.5.2. Quasi-Peak Detector

The quasi-peak readout register can be used to read out the quasi-peak level of any input source. The feature is based on following filter time constants:

- attack time: 1.3 ms
- decay time: 37 ms

2.6. SCART Signal Routing

2.6.1. SCART DSP In and SCART Out Select

The SCART DSP Input Select and SCART Output Select blocks include switching facilities. The switches are controlled by the ACB user register (see page 28).

2.6.2. Stand-by Mode

If the MSP 34x7G is switched off by first pulling STANDBYQ low and then (after >1 μ s delay) switching off DVSUP and AVSUP, but keeping AHVSUP (**'Stand-by'-mode**), the SCART switches maintain their position and function. This allows the copying from SCART-input to SCART-output in the TV set's stand-by mode.

In case of power on or starting from stand-by (switching on the DVSUP and AVSUP, RESETQ going high 2 ms later), all internal registers except the ACB register (page 28) are reset to the default configuration (see Table 3–5 on page 17). The reset position of the ACB register becomes active after the first I²C transmission into the Baseband Processing part. By transmitting the ACB register first, the reset state can be redefined.

2.7. Digital Control I/O Pins and Status Change Indication

The static level of the digital input/output pins D_CTR_I/O_0/1 is switchable between HIGH and LOW via the I²C-bus by means of the ACB register (see page 28). This enables the controlling of external hardware switches or other devices via I²C-bus.

The digital input/output pins can be set to high impedance by means of the MODUS register (see page 21). In this mode, the pins can be used as input. The current state can be read out of the STATUS register (see page 22).

Optionally, the pin D_CTR_I/O_1 can be used as an interrupt request signal to the controller, indicating any changes in the read register STATUS. This makes polling unnecessary; I²C-bus interactions are reduced to a minimum (see STATUS register on page 22 and MODUS register on page 21).

2.8. Clock PLL Oscillator and Crystal Specifications

The MSP 34x7G derives all internal system clocks from the 18.432-MHz oscillator. In NICAM mode, the clock is phase-locked to the corresponding source.

For proper performance, the MSP clock oscillator requires a 18.432-MHz crystal. Note, that for the phase-locked mode (NICAM), crystals with tighter tolerance are required.

3. Control Interface

3.1. I²C Bus Interface

The MSP 34x7G is controlled via the I²C bus slave interface.

The IC is selected by transmitting one of the MSP 34x7G device addresses. In order to allow up to three MSP ICs to be connected to a single bus, an address select pin (ADR_SEL) has been implemented. With ADR_SEL pulled to high, low, or left open, the MSP 34x7G responds to different device addresses. A device address pair is defined as a write address and a read address (see Table 3–1).

Writing is done by sending the write device address, followed by the subaddress byte, two address bytes, and two data bytes.

Reading is done by sending the write device address, followed by the subaddress byte and two address bytes. Without sending a stop condition, reading of the addressed data is completed by sending the device read address and reading two bytes of data.

Refer to Section 3.1.3. for the I²C bus protocol and to Section 3.4. “Programming Tips” on page 30 for proposals of MSP 34x7G I²C telegrams. See Table 3–2 for a list of available subaddresses.

Besides the possibility of hardware reset, the MSP can also be reset by means of the RESET bit in the CONTROL register by the controller via I²C bus.

Due to the architecture of the MSP 34x7G, the IC cannot react immediately to an I²C request. The typical

response time is about 0.3 ms. If the MSP cannot accept another byte of data (e.g. while servicing an internal interrupt), it holds the clock line I2C_CL low to force the transmitter into a wait state. The I²C Bus Master must read back the clock line to detect when the MSP is ready to receive the next I²C transmission. The positions within a transmission where this may happen are indicated by 'Wait' in Section 3.1.3. The maximum wait period of the MSP during normal operation mode is less than 1 ms.

3.1.1. Internal Hardware Error Handling

In case of any hardware problems (e.g. interruption of the power supply of the MSP), the MSP's wait period is extended to 1.8 ms. After this time period elapses, the MSP releases data and clock lines.

Indication and solving the error status:

To indicate the error status, the remaining acknowledge bits of the actual I²C-protocol will be left high. Additionally, bit[14] of CONTROL is set to one. The MSP can then be reset via the I²C bus by transmitting the RESET condition to CONTROL.

Indication of reset:

Any reset, even caused by an unstable reset line etc., is indicated in bit[15] of CONTROL.

A general timing diagram of the I²C bus is shown in Fig. 4–21 on page 48.

Table 3–1: I²C Bus Device Addresses

ADR_SEL	Low (connected to DVSS)		High (connected to DVSUP)		Left Open	
	Write	Read	Write	Read	Write	Read
MSP device address	80 _{hex}	81 _{hex}	84 _{hex}	85 _{hex}	88 _{hex}	89 _{hex}

Table 3–2: I²C Bus Subaddresses

Name	Binary Value	Hex Value	Mode	Function
CONTROL	0000 0000	00	Read/Write	Write: Software reset of MSP (see Table 3–3) Read: Hardware error status of MSP
WR_DEM	0001 0000	10	Write	write address demodulator
RD_DEM	0001 0001	11	Write	read address demodulator
WR_DSP	0001 0010	12	Write	write address DSP
RD_DSP	0001 0011	13	Write	read address DSP

3.1.2. Description of CONTROL Register

Table 3–3: CONTROL as a Write Register

Name	Subaddress	Bit[15] (MSB)	Bits[14:0]
CONTROL	00 _{hex}	1 : RESET 0 : normal	0

Table 3–4: CONTROL as a Read Register

Name	Subaddress	Bit[15] (MSB)	Bit[14]	Bits[13:0]
CONTROL	00 _{hex}	RESET status after last reading of CONTROL: 0 : no reset occurred 1 : reset occurred	Internal hardware status: 0 : no error occurred 1 : internal error occurred	not of interest

Reading of CONTROL will reset the bits[15,14] of CONTROL. After Power-on, bit[15] of CONTROL will be set; it must be read once to be reset.

3.1.3. Protocol Description

Write to DSP or Demodulator

S	write device address	Wait	ACK	sub-addr	ACK	addr-byte high	ACK	addr-byte low	ACK	data-byte high	ACK	data-byte low	ACK	P
---	----------------------	------	-----	----------	-----	----------------	-----	---------------	-----	----------------	-----	---------------	-----	---

Read from DSP or Demodulator

S	write device address	Wait	ACK	sub-addr	ACK	addr-byte high	ACK	addr-byte low	ACK	S	read device address	Wait	ACK	data-byte-high	ACK	data-byte low	NAK	P
---	----------------------	------	-----	----------	-----	----------------	-----	---------------	-----	---	---------------------	------	-----	----------------	-----	---------------	-----	---

Write to Control Register

S	write device address	Wait	ACK	sub-addr	ACK	data-byte high	ACK	data-byte low	ACK	P
---	----------------------	------	-----	----------	-----	----------------	-----	---------------	-----	---

Read from Control Register

S	write device address	Wait	ACK	00hex	ACK	S	read device address	Wait	ACK	data-byte-high	ACK	data-byte low	NAK	P
---	----------------------	------	-----	-------	-----	---	---------------------	------	-----	----------------	-----	---------------	-----	---

Note: S = I²C-Bus Start Condition from master
 P = I²C-Bus Stop Condition from master
 ACK = Acknowledge-Bit: LOW on I2C_DA from slave (= MSP, light gray) or master (= controller, dark gray)
 NAK = Not Acknowledge-Bit: HIGH on I2C_DA from master (dark gray) to indicate 'End of Read' or from MSP indicating internal error state
 Wait = I²C-Clock line is held low, while the MSP is processing the I²C command.
 This waiting time is max. 1 ms

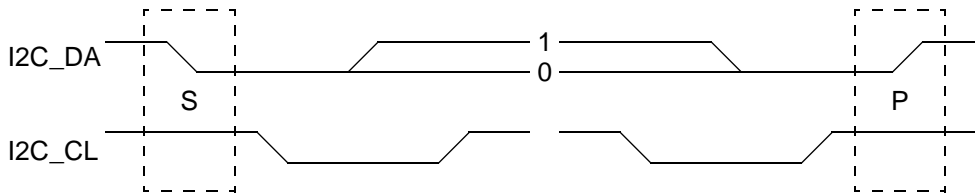


Fig. 3–1: I²C bus protocol (MSB first; data must be stable while clock is high)

3.1.4. Proposals for General MSP 34x7G I²C Telegrams

3.1.4.1. Symbols

daw	write device address (80 _{hex} , 84 _{hex} or 88 _{hex})
dar	read device address (81 _{hex} , 85 _{hex} or 89 _{hex})
<	Start Condition
>	Stop Condition
aa	Address Byte
dd	Data Byte

3.1.4.2. Write Telegrams

<daw 00 d0 00>	write to CONTROL register
<daw 10 aa aa dd dd>	write data into demodulator
<daw 12 aa aa dd dd>	write data into DSP

3.1.4.3. Read Telegrams

<daw 00 <dar dd dd>	read data from CONTROL register
<daw 11 aa aa <dar dd dd>	read data from demodulator
<daw 13 aa aa <dar dd dd>	read data from DSP

3.1.4.4. Examples

<80 00 80 00>	RESET MSP statically
<80 00 00 00>	Clear RESET
<80 10 00 20 00 03>	Set demodulator to stand. 03 _{hex}
<80 11 02 00 <81 dd dd>	Read STATUS
<80 12 00 08 01 20>	Set loudspeaker channel source to NICAM and Matrix to STEREO

More examples of typical application protocols are listed in Section 3.4. “Programming Tips” on page 30.

3.2. Start-Up Sequence: Power-Up and I²C-Controlling

After POWER-ON or RESET (see Fig. 4–20), the IC is in an inactive state. All registers are in the Reset position (see Table 3–5 and Table 3–6), the analog outputs are muted. The controller has to initialize all registers for which a non-default setting is necessary.

3.3. MSP 34x7G Programming Interface

3.3.1. User Registers Overview

The MSP 34x7G is controlled by means of user registers. The complete list of all user registers are given in Table 3–5 and Table 3–6. The registers are partitioned into the Demodulator section (Subaddress 10_{hex} for writing, 11_{hex} for reading) and the Baseband Processing sections (Subaddress 12_{hex} for writing, 13_{hex} for reading).

Write and read registers are 16 bit wide, whereby the MSB is denoted bit[15]. Transmissions via I²C bus have to take place in 16-bit words (two byte transfers, with the most significant byte transferred first). All write registers, except the demodulator write registers are readable.

Unused parts of the 16-bit write registers must be zero. **Addresses not given in this table must not be accessed.**

For reasons of software compatibility to the MSP 34xxD, a Manual/Compatibility Mode is available. More read and write registers together with a detailed description can be found in “Appendix B: Manual/Compatibility Mode” on page 60.

Table 3–5: List of MSP 34x7G Write Registers

Write Register	Address (hex)	Bits	Description and Adjustable Range	Reset	See Page
I²C Sub-Address = 10_{hex} ; Registers are not readable					
STANDARD SELECT	00 20	[15:0]	Initial Programming of the Demodulator	00 00	19
MODUS	00 30	[15:0]	Demodulator, Automatic options	00 00	21
I²C Sub-Address = 12_{hex} ; Registers are all readable by using I²C Sub-Address = 13_{hex}					
Volume loudspeaker channel	00 00	[15:8]	[+12 dB ... –114 dB, MUTE]	MUTE	26
Volume / Mode loudspeaker channel		[7:0]	1/8 dB Steps, Reduce Volume / Tone Control / Compromise / Dynamic	00 _{hex}	
Volume SCART1 output channel	00 07	[15:8]	[–12 dB ... –114 dB, MUTE]	MUTE	27
Loudspeaker source select	00 08	[15:8]	[FM/AM, NICAM, SCART, I ² S1, I ² S2]	FM/AM	25
Loudspeaker channel matrix		[7:0]	[SOUNDA, SOUNDB, STEREO, MONO...]	SOUNDA	25
SCART1 source select	00 0A	[15:8]	[FM/AM, NICAM, SCART, I ² S1, I ² S2]	FM/AM	25
SCART1 channel matrix		[7:0]	[SOUNDA, SOUNDB, STEREO, MONO...]	SOUNDA	25
Quasi-peak detector source select	00 0C	[15:8]	[FM/AM, NICAM, SCART, I ² S1, I ² S2]	FM/AM	25
Quasi-peak detector matrix		[7:0]	[SOUNDA, SOUNDB, STEREO, MONO...]	SOUNDA	25
Prescale SCART input	00 0D	[15:8]	[00 _{hex} ... 7F _{hex}]	00 _{hex}	24
Prescale FM/AM	00 0E	[15:8]	[00 _{hex} ... 7F _{hex}]	00 _{hex}	23
FM matrix		[7:0]	[NO_MAT, GSTERERO, KSTEREO]	NO_MAT	24
Prescale NICAM	00 10	[15:8]	[00 _{hex} ... 7F _{hex}] (MSP 3417G, MSP 3457G only)	00 _{hex}	24
ACB : SCART Switches a. D_CTR_I/O	00 13	[15:0]	Bits[15:0]	00 _{hex}	28
Beeper	00 14	[15:0]	[00 _{hex} ... 7F _{hex}]/[00 _{hex} ... 7F _{hex}]	0/0	28
Automatic Volume Correction	00 29	[15:8]	[off, on, decay time]	off	27

Table 3–6: List of MSP 34x7G Read Registers

Read Register	Address (hex)	Bits	Description and Adjustable Range	See Page
I²C Sub-Address = 11_{hex} ; Registers are not writable				
STANDARD RESULT	00 7E	[15:0]	Result of Automatic Standard Detection (see Table 3–8)	22
STATUS	02 00	[15:0]	Monitoring of internal settings e.g. Stereo, Mono, Mute etc.	22
I²C Sub-Address = 13_{hex} ; Registers are not writable				
Quasi-peak readout left	00 19	[15:0]	[00 _{hex} ... 7FFF _{hex}] 16 bit two's complement	29
Quasi-peak readout right	00 1A	[15:0]	[00 _{hex} ... 7FFF _{hex}] 16 bit two's complement	29
MSP hardware version code	00 1E	[15:8]	[00 _{hex} ... FF _{hex}]	29
MSP major revision code		[7:0]	[00 _{hex} ... FF _{hex}]	29
MSP product code	00 1F	[15:8]	[00 _{hex} ... FF _{hex}]	29
MSP ROM version code		[7:0]	[00 _{hex} ... FF _{hex}]	29

3.3.2. Description of User Registers

Table 3–7: Standard Codes for STANDARD SELECT register

MSP Standard Code (Data in hex)	TV Sound Standard	Sound Carrier Frequencies in MHz	MSP 34x7G Version
Automatic Standard Detection			
00 01	Starts Automatic Standard Detection and sets detected standard		all
Standard Selection			
00 02	M-Dual FM-Stereo	4.5/4.724212	3407, -17, -27, -47, -57
00 03	B/G-Dual FM-Stereo ¹⁾	5.5/5.7421875	3407, -17, -57
00 04	D/K1-Dual FM-Stereo ²⁾	6.5/6.2578125	
00 05	D/K2-Dual FM-Stereo ²⁾	6.5/6.7421875	
00 06	D/K -FM-Mono with HDEV3 ³⁾ , not detectable by Automatic Standard Detection, for China HDEV3 ³⁾ SAT-Mono (i.e. Eutelsat, s. Table 6–18)	6.5	
00 07	D/K3-Dual FM-Stereo	6.5/5.7421875	
00 08	B/G-NICAM-FM ¹⁾	5.5/5.85	3417, -57
00 09	L-NICAM-AM	6.5/5.85	
00 0A	I-NICAM-FM	6.0/6.552	
00 0B	D/K-NICAM-FM ²⁾	6.5/5.85	
00 0C	D/K-NICAM-FM with HDEV2 ⁴⁾ , not detectable by Automatic Standard Detection, for China	6.5/5.85	
00 0D	D/K-NICAM-FM with HDEV3 ³⁾ , not detectable by Automatic Standard Detection, for China	6.5/5.85	
00 20	BTSC-Stereo	4.5	3427, -47, -57
00 21	BTSC-Mono + SAP		
00 30	M-EIA-J Japan Stereo	4.5	3427, -47, -57
00 40	FM-Stereo Radio with 75 μ s Deemphasis	10.7	3427, -47, -57
00 50	SAT-Mono (see Table 6–18)	6.5	3407, -17, -57
00 51	SAT-Stereo (see Table 6–18)	7.02/7.20	
¹⁾ In case of Automatic Sound Select, the B/G-codes 3 _{hex} and 8 _{hex} are equivalent. ²⁾ In case of Automatic Sound Select, the D/K-codes 4 _{hex} , 5 _{hex} , 7 _{hex} , and B _{hex} are equivalent. ³⁾ HDEV3: Max. FM deviation must not exceed 540 kHz ⁴⁾ HDEV2: Max. FM deviation must not exceed 360 kHz			

3.3.2.1. STANDARD SELECT Register

The TV sound standard of the MSP 34x7G demodulator is determined by the STANDARD SELECT register. There are two ways to use the STANDARD SELECT register:

- Setting up the demodulator for a TV sound standard by sending the corresponding standard code with a single I²C bus transmission.
- Starting the Automatic Standard Detection for terrestrial TV standards. This is the most comfortable way to set up the demodulator. Within 0.5 s, the detection and setup of the actual TV sound standard is performed. The detected standard can be read out of the STANDARD RESULT register by the control processor. This feature is recommended for the primary setup of a TV set. Outputs should be muted during Automatic Standard Detection.

The Standard Codes are listed in Table 3–7.

Selecting a TV sound standard via the STANDARD SELECT register initializes the demodulator. This includes: AGC-settings and carrier mute, tuning frequencies, FIR-filter settings, demodulation mode (FM, AM, NICAM), deemphasis and identification mode.

TV stereo sound standards that are unavailable for a specific MSP version are processed in analog mono sound of the standard. In that case, stereo or bilingual processing will not be possible.

For a complete setup of the TV sound processing from analog IF input to the source selection, the transmissions as shown in Section 3.5. are necessary.

For reasons of software compatibility to the MSP 34x7D, a Manual/Compatibility mode is available. A detailed description of this mode can be found on page 60.

3.3.2.2. Refresh of STANDARD SELECT Register

A general refresh of the STANDARD SELECT register is not allowed. However, the following method enables watching the MSP 34x7G “alive” status and detection of accidental resets (only versions B6 and later):

- After Power-on, bit[15] of CONTROL will be set; it must be read once to enable the reset-detection feature.
- Reading of the CONTROL register and checking the reset indicator bit[15].
- If bit[15] is “0”, any refresh of the STANDARD SELECT register **is not allowed**.
- If bit[15] is “1”, indicating a reset, a refresh of the STANDARD SELECT register and all other MSPG registers is required.

3.3.2.3. STANDARD RESULT Register

If Automatic Standard Detection is selected in the STANDARD SELECT register, status and result of the Automatic Standard Detection process can be read out of the STANDARD RESULT register. The possible results are based on the mentioned Standard Code and are listed in Table 3–8.

In cases where no sound standard has been detected (no standard present, too much noise, strong interferers, etc.) the STANDARD RESULT register contains 00 00_{hex}. In that case, the controller has to start further actions (for example set the standard according to a preference list or by manual input).

As long as the STANDARD RESULT register contains a value greater than 07 FF_{hex}, the Automatic Standard Detection is still active. During this period, the MODUS and STANDARD SELECT register must not be written. The STATUS register will be updated when the Automatic Standard Detection has finished.

If a present sound standard is unavailable for a specific MSP-version, it detects and switches to the analog mono sound of this standard.

Example:

The MSPs 3427G and 3447G will detect a B/G-NICAM signal as standard 3 and will switch to the analog FM-Mono sound.

Table 3–8: Results of the Automatic Standard Detection

Broadcasted Sound Standard	STANDARD RESULT Register Read 007E _{hex}
Automatic Standard Detection could not find a sound standard	0000 _{hex}
B/G-FM	0003 _{hex}
B/G-NICAM	0008 _{hex}
I	000A _{hex}
FM-Radio	0040 _{hex}
M-Korea	0002 _{hex} (if MODUS[14,13]=00)
M-Japan	0020 _{hex} (if MODUS[14,13]=01)
M-BTSC	0030 _{hex} (if MODUS[14,13]=10)
L-AM	0009 _{hex} (if MODUS[12]=0)
D/K1	0004 _{hex} (if MODUS[12]=1)
D/K2	
D/K3	
L-NICAM	0009 _{hex} (if MODUS[12]=0)
D/K-NICAM	000B _{hex} (if MODUS[12]=1)
Automatic Standard Detection still active	>07FF _{hex}

3.3.2.4. Write Registers on I²C Subaddress 10_{hex}

Table 3–9: Write registers on I²C subaddress 10_{hex}

Register Address	Function	Name
00 20 _{hex}	<p>STANDARD SELECTION Register</p> <p>Defines TV-Sound or FM-Radio Standard</p> <p>bit[15:0] 00 01_{hex} start Automatic Standard Detection 00 02_{hex} MSP Standard Codes (see Table 3–7) ... 00 51_{hex}</p>	STANDARD_SEL
00 30 _{hex}	<p>MODUS Register</p> <p>Preference in Automatic Standard Detection:</p> <p>bit[15] 0 undefined, must be 0</p> <p>bit[14:13] detected 4.5 MHz carrier is interpreted as:¹⁾ 0 standard M (Korea) 1 standard M (BTSC) 2 standard M (Japan) 3 chroma carrier (M/N standards are ignored)</p> <p>bit[12] detected 6.5 MHz carrier is interpreted as:¹⁾ 0 standard L (SECAM) 1 standard D/K1, D/K2, D/K3, or D/K NICAM</p> <p>General MSP 34x7G Options</p> <p>bit[11:4] 0 undefined, must be 0</p> <p>bit[3] state of digital output pins D_CTR_I/O_0 and _1 0 active: D_CTR_I/O_0 and _1 are output pins (can be set by means of the ACB register. see also: MODUS[1]) 1 tristate: D_CTR_I/O_0 and _1 are input pins (level can be read out of STATUS[4,3])</p> <p>bit[2] undefined, must be 0</p> <p>bit[1] 0/1 disable/enable STATUS change indication by means of the digital I/O pin D_CTR_I/O_1 Necessary condition: MODUS[3] = 0 (active)</p> <p>bit[0] 0/1 off/on: Automatic Sound Select</p>	MODUS
<p>¹⁾ Valid at the next start of Automatic Standard Detection.</p>		

3.3.2.5. Read Registers on I²C Subaddress 11_{hex}

Table 3–10: Read Registers on I²C Subaddress 11_{hex}

Register Address	Function	Name
00 7E _{hex}	<p>STANDARD RESULT Register</p> <p>Readback of the detected TV sound or FM-Radio Standard</p> <p>bit[15:0] 00 00_{hex} Automatic Standard Detection could not find a sound standard</p> <p>00 02_{hex} MSP Standard Codes (see Table 3–8)</p> <p>...</p> <p>00 40_{hex}</p> <p>>07 FF_{hex} Automatic Standard Detection still active</p>	STANDARD_RES
02 00 _{hex}	<p>STATUS Register</p> <p>Contains all user relevant internal information about the status of the MSP</p> <p>bit[15:10] undefined</p> <p>bit[8] 0/1 “1” indicates bilingual sound mode or SAP present (internally evaluated from received analog or digital identification signals)</p> <p>bit[7] 0/1 “1” indicates independent mono sound (only for NICAM)</p> <p>bit[6] 0/1 mono/stereo indication (internally evaluated from received analog or digital identification signals)</p> <p>bit[5,9] 00 analog sound standard (FM or AM) active 01 this pattern will not occur 10 digital sound (NICAM) available 11 bad reception condition of digital sound (NICAM) due to: a. high error rate b. unimplemented sound code c. data transmission only</p> <p>bit[4] 0/1 low/high level of digital I/O pin D_CTR_I/O_1</p> <p>bit[3] 0/1 low/high level of digital I/O pin D_CTR_I/O_0</p> <p>bit[2] 0 detected secondary carrier (2nd A2 or SAP sub-carrier) 1 no secondary carrier detected</p> <p>bit[1] 0 detected primary carrier (Mono or MPX carrier) 1 no primary carrier detected</p> <p>bit[0] undefined</p> <p>If STATUS change indication is activated by means of MODUS[1]: Each change in the STATUS register sets the digital I/O pin D_CTR_I/O_1 to high level. Reading the STATUS register resets D_CTR_I/O_1.</p>	STATUS

3.3.2.6. Write Registers on I²C Subaddress 12_{hex}

Table 3–11: Write Registers on I²C Subaddress 12_{hex}

Register Address	Function	Name
PREPROCESSING		
00 0E _{hex}	<p>FM/AM Prescale</p> <p>bit[15:8] 00_{hex} Defines the input prescale gain for the demodulated FM or AM signal</p> <p>... 7F_{hex} 00_{hex} off (RESET condition)</p> <p>For all FM modes except satellite FM and AM-mode, the combinations of prescale value and FM deviation listed below lead to internal full scale.</p> <p>FM mode</p> <p>bit[15:8] 7F_{hex} 28 kHz FM deviation 48_{hex} 50 kHz FM deviation 30_{hex} 75 kHz FM deviation 24_{hex} 100 kHz FM deviation 18_{hex} 150 kHz FM deviation 13_{hex} 180 kHz FM deviation (limit)</p> <p>FM high deviation mode (HDEV2, MSP Standard Code = C_{hex})</p> <p>bit[15:8] 30_{hex} 150 kHz FM deviation 14_{hex} 360 kHz FM deviation (limit)</p> <p>FM very high deviation mode (HDEV3, MSP Standard Code = 6_{hex} and D_{hex})</p> <p>bit[15:8] 20_{hex} 450 kHz FM deviation 1A_{hex} 540 kHz FM deviation (limit)</p> <p>Satellite FM with adaptive deemphasis</p> <p>bit[15:8] 10_{hex} recommendation</p> <p>AM mode (MSP Standard Code = 9_{hex})</p> <p>bit[15:8] 7C_{hex} recommendation for SIF input levels from 0.1 V_{pp} to 0.8 V_{pp}</p> <p>(Due to the AGC being switched on, the AM-output level remains stable and independent of the actual SIF-level in the mentioned input range)</p>	PRE_FM

Table 3–11: Write Registers on I²C Subaddress 12_{hex}, continued

Register Address	Function	Name
(continued) 00 0E _{hex}	<p>FM Matrix Modes</p> <p>Defines the dematrix function for the demodulated FM signal</p> <p>bit[7:0] 00_{hex} no matrix (used for bilingual and unmatrixed stereo sound) 01_{hex} German stereo (Standard B/G) 02_{hex} Korean stereo (also used for BTSC, EIA-J and FM Radio) 03_{hex} sound A mono (left and right channel contain the mono sound of the FM/AM mono carrier) 04_{hex} sound B mono</p> <p>In case of Automatic Sound Select = on, the FM Matrix Mode is set automatically. Writing to the FM/AM prescale register (00 0E_{hex} high part) is still allowed. In order not to disturb the automatic process, the low part of any I²C transmission to this register is ignored. Therefore, any FM-Matrix readback values may differ from data written previously.</p> <p>In case of Automatic Sound Select = off, the FM Matrix Mode must be set as shown in Table 6–17 of Appendix B.</p> <p>To enable a Forced Mono Mode set A2 THRESHOLD as described in Section 6.3.2. on page 64</p>	FM_MATRIX
00 10 _{hex}	<p>NICAM Prescale</p> <p>Defines the input prescale value for the digital NICAM signal</p> <p>bit[15:8] 00_{hex} ... 7F_{hex} prescale gain</p> <p>examples:</p> <p>00_{hex} off 20_{hex} 0 dB gain 5A_{hex} 9 dB gain (recommendation) 7F_{hex} +12 dB gain (maximum gain)</p>	PRE_NICAM
00 0D _{hex}	<p>SCART Input Prescale</p> <p>Defines the input prescale value for the analog SCART input signal</p> <p>bit[15:8] 00_{hex} ... 7F_{hex} prescale gain</p> <p>examples:</p> <p>00_{hex} off (RESET condition) 19_{hex} 0 dB gain (2 V_{RMS} input leads to digital full scale) 7F_{hex} +14 dB gain (400 mV_{RMS} input leads to digital full scale)</p>	PRE_SCART

Table 3–11: Write Registers on I²C Subaddress 12_{hex}, continued

Register Address	Function	Name
SOURCE SELECT AND OUTPUT CHANNEL MATRIX		
00 08 _{hex} 00 0A _{hex} 00 0C _{hex}	<p>Source for:</p> <p>Loudspeaker Output SCART1 DA Output Quasi-Peak Detector</p> <p>bit[15:8] 0 “FM/AM”: demodulated FM or AM mono signal</p> <p>1 “Stereo or A/B”: demodulator Stereo or A/B signal (in manual mode, this source is identical to the NICAM source in the MSP 3417D)</p> <p>3 “Stereo or A”: demodulator Stereo Sound or Language A (only defined for Automatic Sound Select)</p> <p>4 “Stereo or B”: demodulator Stereo Sound or Language B (only defined for Automatic Sound Select)</p> <p>2 SCART input</p> <p>For demodulator sources, see Table 2–2.</p>	SRC_MAIN SRC_SCART1 SRC_QPEAK
00 08 _{hex} 00 0A _{hex} 00 0C _{hex}	<p>Matrix Mode for:</p> <p>Loudspeaker Output SCART1 DA Output Quasi-Peak Detector</p> <p>bit[7:0] 00_{hex} Sound A Mono (or Left Mono) (RESET condition)</p> <p>10_{hex} Sound B Mono (or Right Mono)</p> <p>20_{hex} Stereo (transparent mode)</p> <p>30_{hex} Mono (sum of left and right inputs divided by 2)</p> <p>special modes are available (see Section 6.5.1. on page 72)</p> <p>In Automatic Sound Select mode, the demodulator source channels are set according to Table 2–2. Therefore, the matrix modes of the corresponding output channels should be set to “Stereo” (transparent).</p>	MAT_MAIN MAT_SCART1 MAT_QPEAK

Table 3–11: Write Registers on I²C Subaddress 12_{hex}, continued

Register Address	Function	Name
LOUDSPEAKER PROCESSING		
00 00 _{hex}	<p>Volume Loudspeaker</p> <p>bit[15:8] volume table with 1 dB step size</p> <p>7F_{hex} +12 dB (maximum volume)</p> <p>7E_{hex} +11 dB</p> <p>...</p> <p>74_{hex} +1 dB</p> <p>73_{hex} 0 dB</p> <p>72_{hex} -1 dB</p> <p>...</p> <p>02_{hex} -113 dB</p> <p>01_{hex} -114 dB</p> <p>00_{hex} Mute (RESET condition)</p> <p>FF_{hex} Fast Mute (needs about 75 ms until the signal is completely ramped down)</p> <p>bit[7:5] higher resolution volume table</p> <p>0 +0 dB</p> <p>1 +0.125 dB increase in addition to the volume table</p> <p>...</p> <p>7 +0.875 dB increase in addition to the volume table</p> <p>bit[4] 0 must be set to 0</p> <p>bit[3:0] clipping mode</p> <p>0 reduce volume</p> <p>1 reduce tone control</p> <p>2 compromise</p> <p>3 dynamic</p> <p>With large scale input signals, positive volume settings may lead to signal clipping.</p> <p>The MSP 34x7G loudspeaker and headphone volume function is divided into a digital and an analog section. With Fast Mute, volume is reduced to mute position by digital volume only. Analog volume is not changed. This reduces any audible DC plops. To turn volume on again, the volume step that has been used before Fast Mute was activated must be transmitted.</p> <p>If the clipping mode is set to “reduce volume”, the following rule is used: To prevent severe clipping effects with bass, treble, or equalizer boosts, the internal volume is automatically limited to a level where, in combination with either bass, treble, or equalizer setting, the amplification does not exceed 12 dB.</p> <p>If the clipping mode is “reduce tone control”, the bass or treble value is reduced if amplification exceeds 12 dB. If the equalizer is switched on, the gain of those bands is reduced, where amplification together with volume exceeds 12 dB.</p> <p>If the clipping mode is “compromise”, the bass or treble value and volume are reduced half and half if amplification exceeds 12 dB. If the equalizer is switched on, the gain of those bands is reduced half and half, where amplification together with volume exceeds 12 dB.</p> <p>If the clipping mode is “dynamic”, volume is reduced automatically if the signal amplitudes would exceed -2 dBFS within the IC.</p>	VOL_MAIN

Table 3–11: Write Registers on I²C Subaddress 12_{hex}, continued

Register Address	Function	Name
00 29 _{hex}	Automatic Volume Correction (AVC) Loudspeaker Channel	
	bit[15:12] 00 _{hex} AVC off (and reset internal variables) 08 _{hex} AVC on	AVC
	bit[11:8] 08 _{hex} 8 sec decay time 04 _{hex} 4 sec decay time (recommended) 02 _{hex} 2 sec decay time 01 _{hex} 20 ms decay time (should be used for approx. 100 ms after channel change)	AVC_DECAY
SCART OUTPUT CHANNEL		
00 07 _{hex}	Volume SCART1 Output Channel	VOL_SCART1
	bit[15:8] volume table with 1 dB step size 7F _{hex} +12 dB (maximum volume) 7E _{hex} +11 dB ... 74 _{hex} +1 dB 73 _{hex} 0 dB 72 _{hex} -1 dB ... 02 _{hex} -113 dB 01 _{hex} -114 dB 00 _{hex} Mute (RESET condition)	
	bit[7:5] higher resolution volume table 0 +0 dB 1 +0.125 dB increase in addition to the volume table ... 7 +0.875 dB increase in addition to the volume table	
	bit[4:0] 01 _{hex} this must be 01 _{hex}	

Table 3–11: Write Registers on I²C Subaddress 12_{hex}, continued

Register Address	Function	Name
SCART SWITCHES AND DIGITAL I/O PINS		
00 13 _{hex}	<p>ACB Register</p> <p>Defines the level of the digital output pins and the position of the SCART switches</p> <p>bit[15] 0/1 low/high of digital output pin D_CTR_I/O_1 (MODUS[3]=0)</p> <p>bit[14] 0/1 low/high of digital output pin D_CTR_I/O_0 (MODUS[3]=0)</p> <p>bit[13:5] SCART DSP Input Select</p> <p> xxxx00xx0 SCART1 to DSP input (RESET position)</p> <p> xxxx01xx0 MONO to DSP input (Sound A Mono must be selected in the channel matrix mode for the corresponding output channels)</p> <p> xxxx11xx1 mute DSP input</p> <p>bit[13:5] SCART1 Output Select</p> <p> xx00xxx0x undefined (RESET position)</p> <p> xx10xxx0x MONO input to SCART1 output</p> <p> xx11xxx0x SCART1 DA to SCART1 output</p> <p> xx01xxx1x SCART1 input to SCART1 output</p> <p> xx11xxx1x mute SCART1 output</p> <p>The RESET position becomes active at the time of the first write transmission on the control bus to the audio processing part. By writing to the ACB register first, the RESET state can be redefined.</p>	ACB_REG
BEEPER		
00 14 _{hex}	<p>Beeper Volume and Frequency</p> <p>bit[15:8] Beeper Volume</p> <p> 00_{hex} off</p> <p> 7F_{hex} maximum volume</p> <p>bit[7:0] Beeper Frequency</p> <p> 01_{hex} 16 Hz (lowest)</p> <p> 40_{hex} 1 kHz</p> <p> FF_{hex} 4 kHz</p>	BEEPER

3.3.2.7. Read Registers on I²C Subaddress 13_{hex}

Table 3–12: Read Registers on I²C Subaddress 13_{hex}

Register Address	Function	Name
QUASI-PEAK DETECTOR READOUT		
00 19 _{hex} 00 1A _{hex}	<p>Quasi-Peak Detector Readout Left Quasi-Peak Detector Readout Right</p> <p>bit[15:0] 0_{hex} ... 7FFF_{hex} values are 16 bit two's complement (only positive)</p>	QPEAK_L QPEAK_R
MSP 34x7G VERSION READOUT REGISTERS		
00 1E _{hex}	<p>MSP Hardware Version Code</p> <p>bit[15:8] 02_{hex} MSP 34x7G - B8</p> <p>A change in the hardware version code defines hardware optimizations that may have influence on the chip's behavior. The readout of this register is identical to the hardware version code in the chip's imprint.</p> <p>MSP Major Revision Code</p> <p>bit[7:0] 07_{hex} MSP 34x7G - B8</p>	MSP_HARD MSP_REVISION
00 1F _{hex}	<p>MSP Product Code</p> <p>bit[15:8] 07_{hex} MSP 3407G - B8 11_{hex} MSP 3417G - B8 1B_{hex} MSP 3427G - B8 2F_{hex} MSP 3447G - B8 39_{hex} MSP 3457G - B8 43_{hex} MSP 3467G - B8</p> <p>By means of the MSP product code, the control processor is able to decide which TV sound standards have to be considered.</p> <p>MSP ROM Version Code</p> <p>bit[7:0] 46_{hex} MSP 34x7G - B6 48_{hex} MSP 34x7G - B8</p> <p>A change in the ROM version code defines internal software optimizations, that may have influence on the chip's behavior, e.g. new features may have been included. While a software change is intended to create no compatibility problems, customers that want to use the new functions can identify new MSP 34x7G versions according to this number.</p> <p>To avoid compatibility problems with MSP 3410B and MSP 34x7D, an offset of 40_{hex} is added to the ROM version code of the chip's imprint.</p>	MSP_PRODUCT MSP_ROM

3.4. Programming Tips

This section describes the preferred method for initializing the MSP 34x7G. The initialization is grouped into three sections:

- SCART Signal Path (analog signal path)
- Demodulator
- Output Channels

See Fig. 2–1 on page 8 for a complete signal flow.

SCART Signal Path

1. Select analog input for the SCART baseband processing (SCART DSP Input Select) by means of the ACB register.
2. Set preferred prescale for SCART.
3. Select the source for the analog SCART output by means of the ACB register.

Demodulator

For a complete setup of the TV sound processing from analog IF input to the source selection, the following steps must be performed:

1. Set MODUS register to the preferred mode and Sound IF input.
2. Set preferred prescale (FM and NICAM) values.
3. Write STANDARD SELECT register.
4. If Automatic Sound Select is not active: Choose FM matrix repeatedly according to the sound mode indicated in the STATUS register.

Output Channels

1. Select the source channel and matrix for each output channel.
2. Select volume for each output channel.

3.5. Examples of Minimum Initialization Codes

Initialization of the MSP 34x7G according to these listings reproduces sound of the selected standard on the loudspeaker output. All numbers are hexadecimal. The examples have the following structure:

1. Perform an I²C controlled reset of the IC.
2. Write MODUS register (with Automatic Sound Select).
3. Set Source Selection for loudspeaker channel (with matrix set to STEREO).
4. Set Prescale (FM and/or NICAM and dummy FM matrix).
5. Write STANDARD SELECT register.
6. Set Volume loudspeaker channel to 0 dB.

3.5.1. B/G-FM (A2 or NICAM)

```
<80 00 80 00> // Softreset
<80 00 00 00>
<80 10 00 30 20 03> // MODUS-Register: Automatic = on
<80 12 00 08 03 20> // Source Sel. = (St or A) & Ch. Matr. = St
<80 12 00 0E 24 03> // FM/AM-Prescale = 24hex,
                    // FM-Matrix = MONO/SOUNDA
| <80 12 00 10 5A 00> // NICAM-Prescale = 5Ahex
<80 10 00 20 00 03> // Standard Select: A2 B/G or NICAM B/G
                    // or
<80 10 00 20 00 08>
<80 12 00 00 73 00> // Loudspeaker Volume 0 dB
```

3.5.2. BTSC-Stereo

```
<80 00 80 00> // Softreset
<80 00 00 00>
<80 10 00 30 20 03> // MODUS-Register: Automatic = on
<80 12 00 08 03 20> // Source Sel. = (St or A) & Ch. Matr. = St
<80 12 00 0E 24 03> // FM/AM-Prescale = 24hex,
                    // FM-Matrix = Sound A Mono
<80 10 00 20 00 20> // Standard Select: BTSC-STEREO
<80 12 00 00 73 00> // Loudspeaker Volume 0 dB
```

3.5.3. BTSC-SAP with SAP at Loudspeaker Channel

```
<80 00 80 00> // Softreset
<80 00 00 00>
<80 10 00 30 20 03> // MODUS-Register: Automatic = on
<80 12 00 08 03 20> // Source Sel. = (St or A) & Ch. Matr. = St
<80 12 00 0E 24 03> // FM/AM-Prescale = 24hex,
                    // FM-Matrix = Sound A Mono
<80 10 00 20 00 21> // Standard Select: BTSC-SAP
<80 12 00 00 73 00> // Loudspeaker Volume 0 dB
```

3.5.4. FM-Stereo Radio

```

<80 00 80 00> // Softreset
<80 00 00 00>
<80 10 00 30 20 03> // MODUS-Register: Automatic = on
<80 12 00 08 03 20> // Source Sel. = (St or A) & Ch. Matr. = St
<80 12 00 0E 24 03> // FM/AM-Prescale = 24hex,
                    FM-Matrix = Sound A Mono
<80 10 00 20 00 40> // Standard Select: FM-STEREO-RADIO
<80 12 00 00 73 00> // Loudspeaker Volume 0 dB

```

3.5.5. Automatic Standard Detection

A detailed software flow diagram is shown in Fig. 3–2 on page 32.

```

<80 00 80 00> // Softreset
<80 00 00 00>
<80 10 00 30 20 03> // MODUS-Register: Automatic = on
<80 12 00 08 03 20> // Source Sel. = (St or A) & Ch. Matr. = St
<80 12 00 0E 24 03> // FM/AM-Prescale = 24hex,
                    FM-Matrix = Sound A Mono
<80 12 00 10 5A 00> // NICAM-Prescale = 5Ahex
<80 10 00 20 00 01> // Standard Select:
                    Automatic Standard Detection

// Wait till STANDARD RESULT contains a value ≤ 07FF
// IF STANDARD RESULT contains 0000
// do some error handling

// ELSE
<80 12 00 00 73 00> // Loudspeaker Volume 0 dB

```

3.5.6. Software Flow for Interrupt driven STATUS Check

A detailed software flow diagram is shown in Fig. 3–2 on page 32.

If the D_CTR_I/O_1 pin of the MSP 34x7G is connected to an interrupt input pin of the controller, the following interrupt handler can be applied to be automatically called with each status change of the MSP 34x7G. The interrupt handler may adjust the TV display according to the new status information.

Interrupt Handler:

```

<80 11 02 00 <81 dd dd> // Read STATUS
// adjust TV-display with given status information
// Return from Interrupt

```

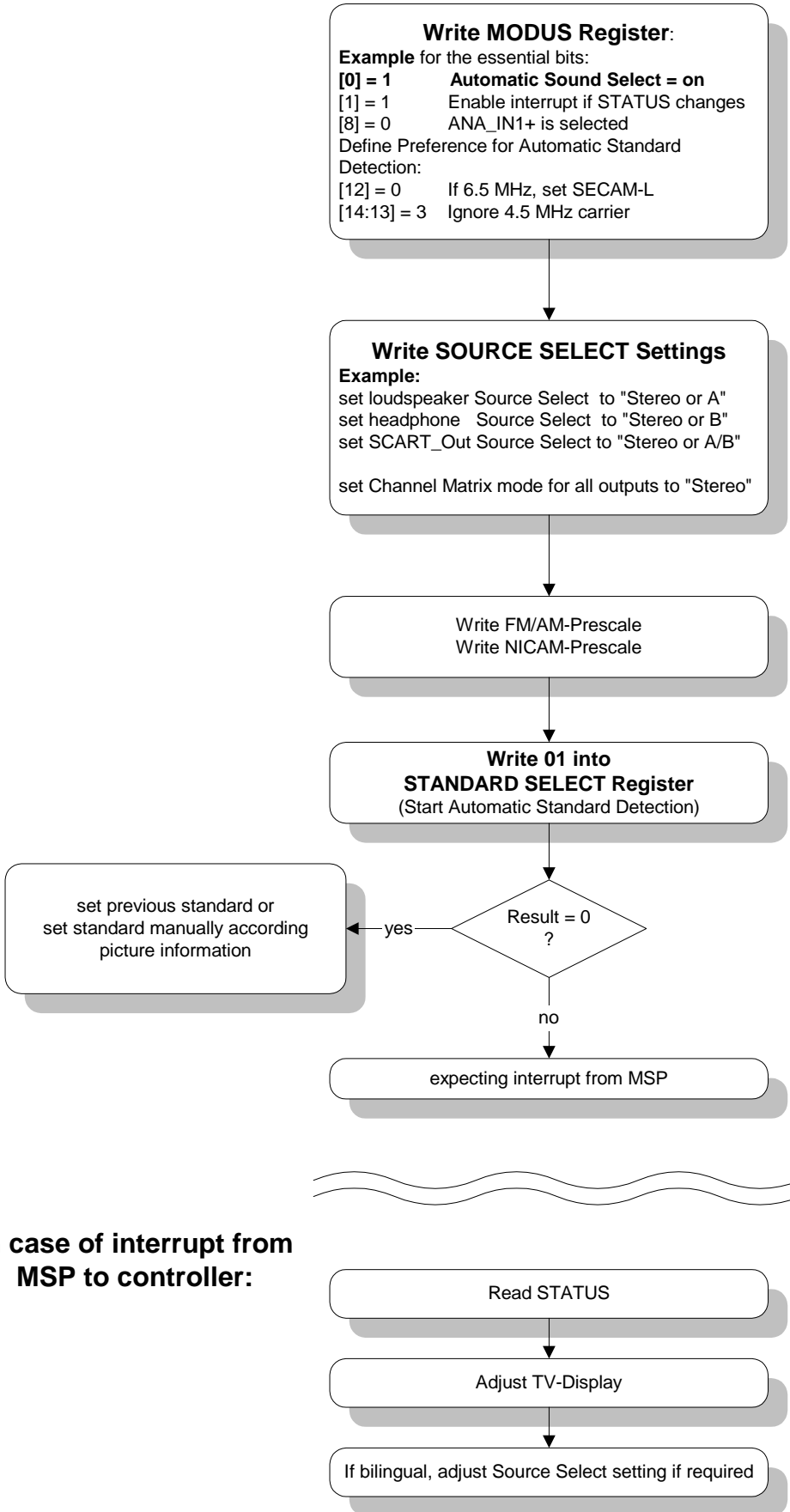


Fig. 3–2: Software flow diagram for a minimum demodulator setup for a European multistandard set applying the Automatic Sound Select feature

4. Specifications

4.1. Outline Dimensions

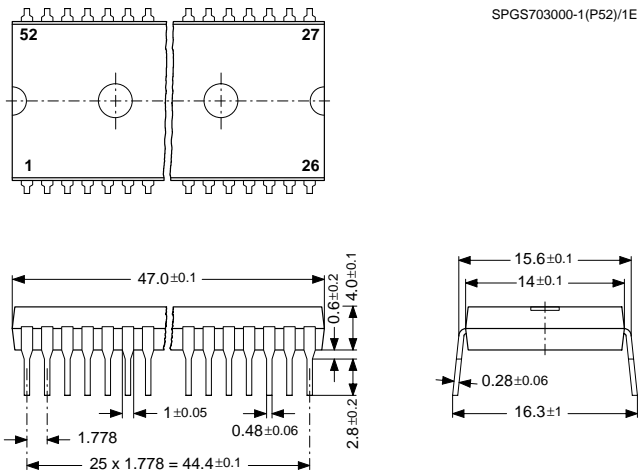


Fig. 4-1:
 52-Pin Plastic Shrink Dual Inline Package
(PSDIP52)
 Weight approximately 5.5 g
 Dimensions in mm

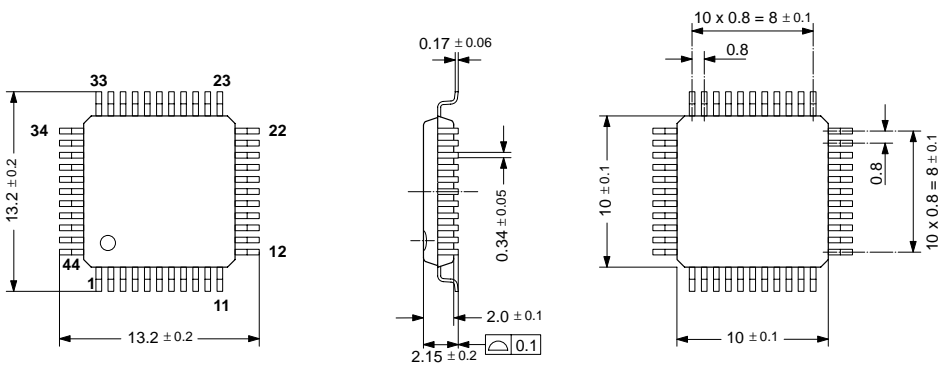


Fig. 4-2:
 44-Pin Plastic Metric Quad Flat Pack
(PMQFP44)
 Weight approximately 0.4 g
 Dimensions in mm

4.2. Pin Connections and Short Descriptions

NC = not connected; leave vacant

LV = if not used, leave vacant

DVSS: if not used, connect to DVSS

X = obligatory; connect as described in circuit diagram

AHVSS: connect to AHVSS

Pin No.		Pin Name	Type	Connection (if not used)	Short Description
PSDIP 52-pin	PMQFP 44-pin				
1	7	TP		LV	Test pin
2	–	NC		LV	Not connected
3	8	D_CTR_I/O_1	IN/OUT	LV	D_CTR_I/O_1
4	9	D_CTR_I/O_0	IN/OUT	LV	D_CTR_I/O_0
5	10	ADR_SEL	IN	X	I ² C Bus address select
6	11	STANDBYQ	IN	X	Standby (low-active)
7	12	I2C_CL	IN/OUT	X	I ² C clock
8	13	I2C_DA	IN/OUT	X	I ² C data
9	14	TP		LV	Test pin
10	15	TP		LV	Test pin
11	16	TP		LV	Test pin
12	17	TP		LV	Test pin
13	–	TP		LV	Test pin
14	–	TP		LV	Test pin
15	18	TP_CO	OUT	LV	Test pin ¹⁾
16	19	DVSUP		X	Digital power supply +5 V
17	–	DVSS		X	Digital ground
–	20	DVSS		X	Digital ground
18	21	TP		LV	Test pin
19	–	NC		LV	Not connected
20	22	RESETQ	IN	X	Power-on-reset
21	23	NC		LV	Not connected
22	24	NC		LV	Not connected
23	25	VREF2		X	Reference ground 2 high-voltage part
24	26	DACM_R	OUT	LV	Loudspeaker out, right

1) Use this pin to define the capacitor size at the crystal oscillator (see Section 4.6.2.4. on page 44).

Pin No.		Pin Name	Type	Connection (if not used)	Short Description
PSDIP 52-pin	PMQFP 44-pin				
25	27	DACM_L	OUT	LV	Loudspeaker out, left
26	–	NC		LV	Not connected
27	–	NC		LV	Not connected
28	28	NC		LV	Not connected
29	29	VREF1		X	Reference ground 1 high-voltage part
30	30	SC1_OUT_R	OUT	LV	SCART 1 output, right
31	31	SC1_OUT_L	OUT	LV	SCART 1 output, left
32	32	NC		LV	Not connected
33	33	AHVSUP		X	Analog power supply +8.0 V
34	34	CAPL_M		X	Volume capacitor MAIN
35	35	AHVSS		X	Analog ground
36	36	AGNDC		X	Analog reference voltage high-voltage part
37	–	NC		LV	Not connected
38	–	NC		LV	Not connected
39	37	NC		LV	Not connected
40	38	NC		LV	Not connected
–	39	NC		LV	Not connected
41	40	SC1_IN_L	IN	LV	SCART 1 input, left
42	41	SC1_IN_R	IN	LV	SCART 1 input, right
43	42	VREFTOP		X	Reference voltage IF A/D converter
44	43	MONO_IN	IN	LV	Mono input
45	44	AVSS		X	Analog ground
46	1	AVSUP		X	Analog power supply +5 V
47	2	ANA_IN1+	IN	LV	IF input 1
48	3	ANA_IN–	IN	LV	IF common
49	–	NC		LV	Not connected
50	4	TESTEN	IN	X	Test pin
51	5	XTAL_IN	IN	X	Crystal oscillator
52	6	XTAL_OUT	OUT	X	Crystal oscillator

4.3. Pin Descriptions

NC – Pin not connected

I²C_CL – I²C Clock Input/Output (Fig. 4–12)

Via this pin the I²C bus clock signal has to be supplied. The signal can be pulled down by the MSP in case of wait conditions.

I²C_DA – I²C Data Input/Output (Fig. 4–12)

Via this pin the I²C bus data is written to or read from the MSP.

TP_CO – Clock Output

Output of clock signal used in order to define capacitors at the crystal oscillator (see Section 4.6.2.4. on page 44).

DVSUP* – Digital Supply Voltage

Power supply for the digital circuitry of the MSP. Must be connected to a power supply.

DVSS* – Digital Ground

Ground connection for the digital circuitry of the MSP

RESETQ – Reset Input (Fig. 4–5)

In the steady state, high level is required. A low level resets the MSP 34x7G.

VREF2 – Reference Ground 2

Reference analog ground. This pin must be connected separately to ground (AHVSS). VREF2 serves as a clean ground and should be used as the reference for analog connections to the loudspeaker outputs.

DACM_R/L – Loudspeaker Outputs (Fig. 4–15)

Output of the loudspeaker signal. A 1nF capacitor to AHVSS must be connected to these pins. The DC offset on these pins depends on the selected volume.

VREF1 – Reference Ground 1

Reference analog ground. This pin must be connected separately to ground (AHVSS). VREF1 serves as a clean ground and should be used as the reference for analog connections to the SCART output.

SC1_OUT_R/L – SCART1 Outputs (Fig. 4–16)

Output of the SCART1 signal. Connections to these pins must use a 100 ohm series resistor and are intended to be AC coupled.

AHVSUP* – Analog Power Supply High Voltage

Power is supplied via this pin for the analog circuitry of the MSP (except IF input). This pin must be connected to the +8 V supply.

CAPLM – Volume Capacitor Loudspeakers (Fig. 4–18)

A 10 μ F capacitor to AHVSUP must be connected to this pin. It serves as smoothing filter for volume changes in order to suppress audible plops. The value of the capacitor can be lowered to 1 μ F if faster response is required. The area encircled by the trace lines should be minimized, keep traces as short as possible. This input is sensitive for magnetic induction.

AHVSS* – Ground for Analog Power Supply High Voltage

Ground connection for the analog circuitry of the MSP (except IF input).

AGNDC – Internal Analog Reference Voltage

This pin serves as the internal ground connection for the analog circuitry (except IF input). It must be connected to the VREF pins with a 3.3 μ F and a 100 nF capacitor in parallel. This pins shows a DC level of typically 3.73 V.

SC1_IN_L/R – SCART1 Inputs (Fig. 4–8)

The analog input signal for SCART1 is fed to this pin. Analog input connection must be AC coupled.

VREFTOP – Reference Voltage IF AD Converter (Fig. 4–10)

Via this pin, the reference voltage for the IF AD converter is decoupled. It must be connected to AVSS pins with a 10 μ F and a 100nF capacitor in parallel. Traces must be kept short.

MONO_IN – Mono Input (Fig. 4–8)

The analog mono input signal is fed to this pin. Analog input connection must be AC coupled.

AVSS* – Ground for Analog Power Supply Voltage

Ground connection for the analog IF input circuitry of the MSP.

AVSUP* – Analog Power Supply Voltage

Power is supplied via this pin for the analog IF input circuitry of the MSP. This pin must be connected to the +5 V supply.

ANA_IN1+ – IF Input 1 (Fig. 4–10)

The analog sound if signal is supplied to this pin. Inputs must be AC coupled. This pin is designed as symmetrical input: ANA_IN1+ is internally connected to one input of a symmetrical op amp, ANA_IN– to the other.

ANA_IN– – IF Common (Fig. 4–10)

This pin serves as a common reference for ANA_IN1+ input.

TESTEN – Test Enable Pin (Fig. 4–6)

This pin enables factory test modes. For normal operation it must be connected to ground.

XTAL_IN, XTAL_OUT – Crystal Input and Output Pins
(Fig. 4–14)

These pins are connected to an 18.432 MHz crystal oscillator which is digitally tuned by integrated shunt capacitances. An external clock can be fed into XTAL_IN. External capacitors at each crystal pin to ground (AVSS) are required. It should be verified by layout, that no supply current for the digital circuitry is flowing through the ground connection point. To adjust capacitors see Crystal Recommendations on page 44.

D_CTR_I/O_1/0 – Digital Control Input/Output Pins
(Fig. 4–13)

General purpose input/output pins. Pin D_CTR_I/O_1 can be used as an interrupt request pin to the controller.

ADR_SEL – I²C Bus Address Select (Fig. 4–11)

This pin selects the device address for the MSP (see Table 3–1 on page 14).

STANDBYQ – Standby

In normal operation, this pin must be high. If the MSP 34x7G is switched to (**'Standby'-mode**), the SCART switches maintain their position and function (see Section 2.6.2. on page 13).

*** Application Note:**

All ground pins should be connected to one low-resistive ground plane. All supply pins should be connected separately with short and low-resistive lines to the power supply. Decoupling capacitors from DVSUP to DVSS, AVSUP to AVSS, and AHVSUP to AHVSS are recommended as closely as possible to these pins. Decoupling of DVSUP and DVSS is most important. We recommend using more than one capacitor. By choosing different values, the frequency range of active decoupling can be extended. In our application boards we use: 220 pF, 470 pF, 1.5 nF, and 10 µF. The capacitor with the lowest value should be placed nearest to the DVSUP and DVSS pins.

4.4. Pin Configurations

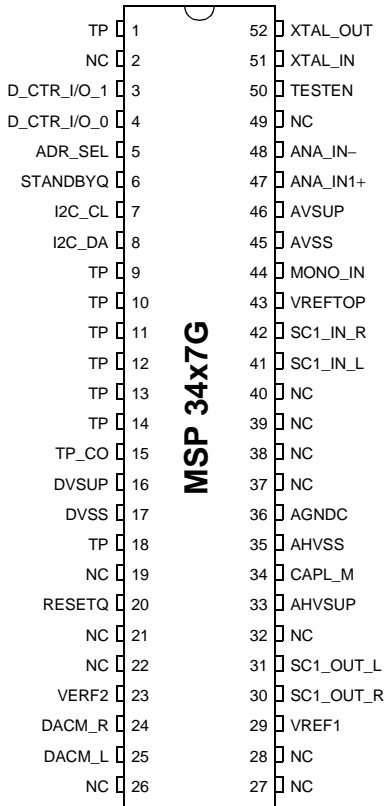


Fig. 4–3: 52-pin PSDIP package

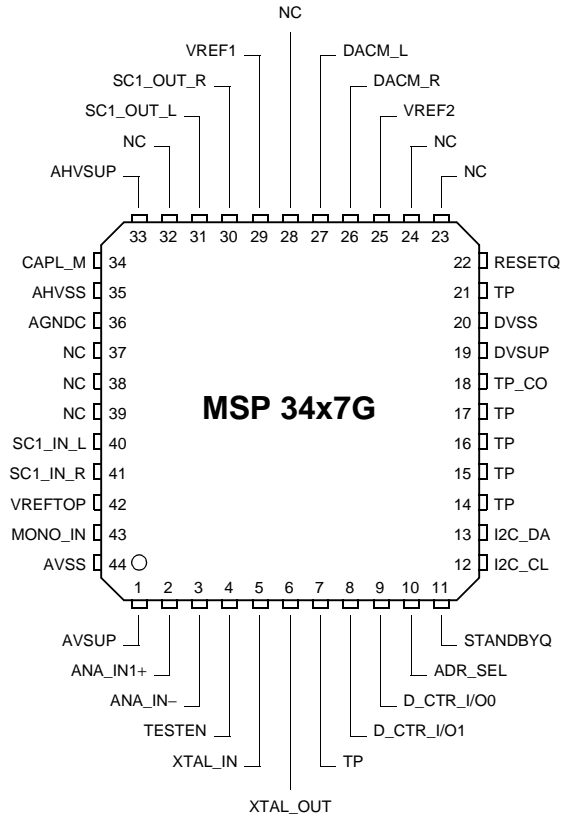


Fig. 4–4: 44-pin PMQFP package

4.5. Pin Circuits

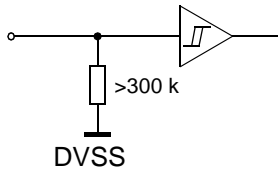


Fig. 4-5: Input Pin: **RESETQ**

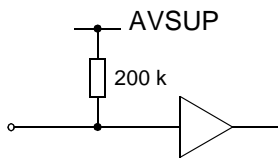


Fig. 4-6: Input Pin: **TESTEN**

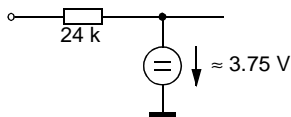


Fig. 4-7: Input Pin: **MONO_IN**

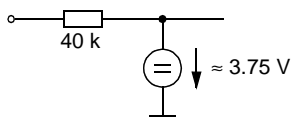


Fig. 4-8: Input Pins: **SC1_IN_L/R**

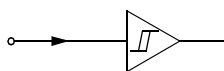


Fig. 4-9: Input Pin: **STANDBYQ**

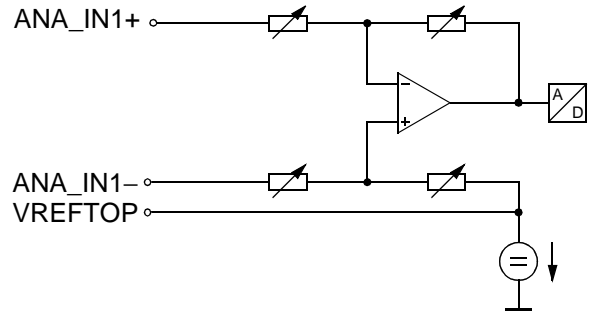


Fig. 4-10: Input Pins: **VREFTOP, ANA_IN1+, ANA_IN-**

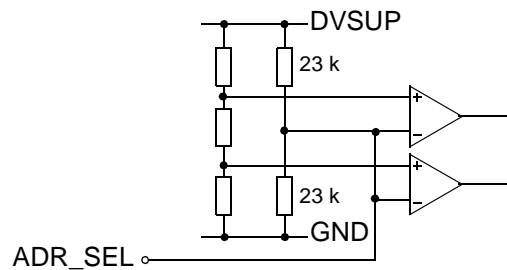


Fig. 4-11: Input Pin: **ADR_SEL**

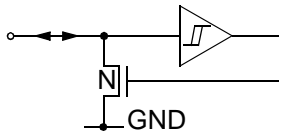


Fig. 4-12: Input/Output Pins: I2C_CL, I2C_DA

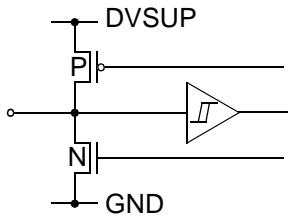


Fig. 4-13: Input/Output Pins: D_CTR_I/O_1, D_CTR_I/O_0

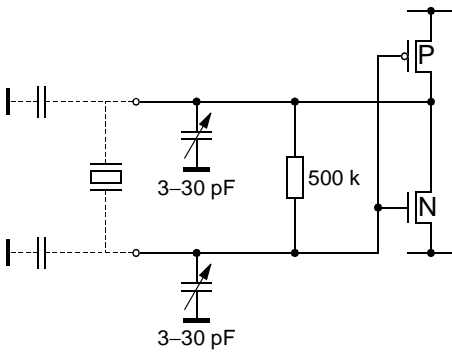


Fig. 4-14: Output/Input Pins: XTAL_IN, XTAL_OUT

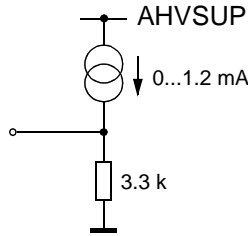


Fig. 4-15: Output Pins: DACM_R/L

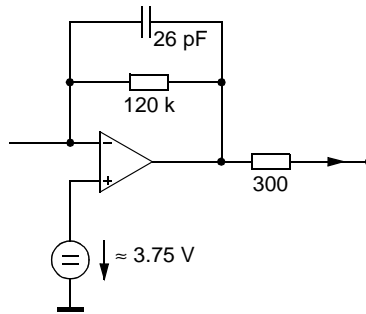


Fig. 4-16: Output Pins: SC1_OUT_R/L

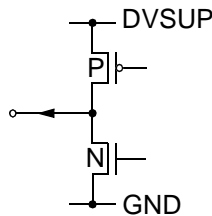


Fig. 4-17: Output Pin: TP_CO

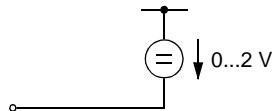


Fig. 4-18: Capacitor Pin: CAPL_M

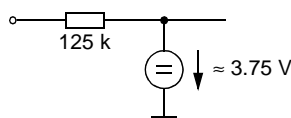


Fig. 4-19: AGNDC

4.6. Electrical Characteristics

4.6.1. Absolute Maximum Ratings

Symbol	Parameter	Pin Name	Min.	Max.	Unit
T_A	Ambient Operating Temperature	–	0	70	°C
T_S	Storage Temperature	–	–40	125	°C
V_{SUP1}	First Supply Voltage	AHVSUP	–0.3	9.0	V
V_{SUP2}	Second Supply Voltage	DVSUP	–0.3	6.0	V
V_{SUP3}	Third Supply Voltage	AVSUP	–0.3	6.0	V
dV_{SUP23}	Voltage between AVSUP and DVSUP	AVSUP, DVSUP	–0.5	0.5	V
P_{TOT}	Package Power Dissipation PSDIP52 PMQFP44	AHVSUP, DVSUP, AVSUP		1200 960	mW mW
V_{Idig}	Input Voltage, all Digital Inputs		–0.3	$V_{SUP2}+0.3$	V
I_{Idig}	Input Current, all Digital Pins	–	–20	+20	mA ¹⁾
V_{Iana}	Input Voltage, all Analog Inputs	SC1_IN_s, ²⁾ MONO_IN	–0.3	$V_{SUP1}+0.3$	V
I_{Iana}	Input Current, all Analog Inputs	SC1_IN_s, ²⁾ MONO_IN	–5	+5	mA ¹⁾
I_{Oana}	Output Current, all SCART Outputs	SC1_OUT_s ²⁾	3), 4)	3), 4)	
I_{Oana}	Output Current, all Analog Outputs except SCART Outputs	DACM_s ²⁾	3)	3)	
I_{Cana}	Output Current, other pins connected to capacitors	CAPL_M, AGNDC	3)	3)	
1) positive value means current flowing into the circuit 2) “s” means “L” or “R” 3) The Analog Outputs are short-circuit proof with respect to First Supply Voltage and Ground. 4) Total chip power dissipation must not exceed absolute maximum rating.					

Stresses beyond those listed in the “Absolute Maximum Ratings” may cause permanent damage to the device. This is a stress rating only. Functional operation of the device at these or any other conditions beyond those indicated in the “Recommended Operating Conditions/Characteristics” of this specification is not implied. Exposure to absolute maximum ratings conditions for extended periods may affect device reliability.

4.6.2. Recommended Operating Conditions

at $T_A = 0$ to 70 °C

4.6.2.1. General Recommended Operating Conditions

Symbol	Parameter	Pin Name	Min.	Typ.	Max.	Unit
V_{SUP1}	First Supply Voltage (AHVSUP = 8 V)	AHVSUP	7.6	8.0	8.7	V
	First Supply Voltage (AHVSUP = 5V)		4.75	5.0	5.25	V
V_{SUP2}	Second Supply Voltage	DVSUP	4.75	5.0	5.25	V
V_{SUP3}	Third Supply Voltage	AVSUP	4.75	5.0	5.25	V
t_{STBYQ1}	STANDBYQ Setup Time before Turn-off of Second Supply Voltage	STANDBYQ, DVSUP	1			μ s

4.6.2.2. Analog Input and Output Recommendations

Symbol	Parameter	Pin Name	Min.	Typ.	Max.	Unit
C_{AGNDC}	AGNDC-Filter-Capacitor	AGNDC	-20%	3.3		μ F
	Ceramic Capacitor in Parallel		-20%	100		nF
C_{inSC}	DC-Decoupling Capacitor in front of SCART Inputs	SC1_IN_s ¹⁾	-20%	330		nF
V_{inSC}	SCART Input Level				2.0	V_{RMS}
V_{inMONO}	Input Level, Mono Input	MONO_IN			2.0	V_{RMS}
R_{LSC}	SCART Load Resistance	SC1_OUT_s ¹⁾	10			k Ω
C_{LSC}	SCART Load Capacitance				6.0	nF
C_{VMA}	Main Volume Capacitor	CAPL_M		10		μ F
C_{FMA}	Main Filter Capacitor	DACM_s ¹⁾	-10%	1	+10%	nF

1) "s" means "L" or "R"

4.6.2.3. Recommendations for Analog Sound IF Input Signal

Symbol	Parameter	Pin Name	Min.	Typ.	Max.	Unit
C _{VREFTOP}	VREFTOP-Filter-Capacitor	VREFTOP	-20%	10		μF
	Ceramic Capacitor in Parallel		-20%	100		nF
F _{IF_FMTV}	Analog Input Frequency Range for TV applications	ANA_IN1+, ANA_IN-	0		9	MHz
F _{IF_FMRADIO}	Analog Input Frequency for FM-Radio Applications			10.7		MHz
V _{IF_FM}	Analog Input Range FM/NICAM		0.1	0.8	3	V _{pp}
V _{IF_AM}	Analog Input Range AM/NICAM		0.1	0.45	0.8	V _{pp}
R _{FMNI}	Ratio: NICAM Carrier/FM Carrier (unmodulated carriers) BG: I:		-20	-7	0	dB
			-23	-10	0	dB
R _{AMNI}	Ratio: NICAM Carrier/AM Carrier (unmodulated carriers)		-25	-11	0	dB
R _{FM}	Ratio: FM-Main/FM-Sub Satellite			7		dB
R _{FM1/FM2}	Ratio: FM1/FM2 German FM-System			7		dB
R _{FC}	Ratio: Main FM Carrier/ Color Carrier		15	-	-	dB
R _{FV}	Ratio: Main FM Carrier/ Luma Components		15	-	-	dB
PR _{IF}	Passband Ripple		-	-	±2	dB
SUP _{HF}	Suppression of Spectrum above 9.0 MHz (not for FM Radio)		15		-	dB
FM _{MAX}	Maximum FM-Deviation (approx.) normal mode HDEV2: high deviation mode HDEV3: very high deviation mode				±180	kHz
				±360	kHz	
				±540	kHz	

4.6.2.4. Crystal Recommendations

Symbol	Parameter	Pin Name	Min.	Typ.	Max.	Unit
General Crystal Recommendations						
f_P	Crystal Parallel Resonance Frequency at 12 pF Load Capacitance			18.432		MHz
R_R	Crystal Series Resistance			8	25	Ω
C_0	Crystal Shunt (Parallel) Capacitance			6.2	7.0	pF
C_L	External Load Capacitance ¹⁾	XTAL_IN, XTAL_OUT	PSDIP PMQFP	approx. 1.5 approx. 3.3		pF pF
Crystal Recommendations for FM / NICAM Applications						
f_{TOL}	Accuracy of Adjustment		-30		+30	ppm
D_{TEM}	Frequency Variation versus Temperature		-30		+30	ppm
C_1	Motional (Dynamic) Capacitance		15			fF
f_{CL}	Required Open Loop Clock Frequency ($T_{amb} = 25\text{ }^\circ\text{C}$)		18.4305		18.4335	MHz
Crystal Recommendations for all analog FM/AM Applications						
f_{TOL}	Accuracy of Adjustment		-100		+100	ppm
D_{TEM}	Frequency Variation versus Temperature		-50		+50	ppm
f_{CL}	Required Open Loop Clock Frequency ($T_{amb} = 25\text{ }^\circ\text{C}$)		18.429		18.435	MHz
Amplitude Recommendation for Operation with External Clock Input (C_{load} after reset typ. 22 pF)						
V_{XCA}	External Clock Amplitude	XTAL_IN	0.7			V_{pp}
<p>¹⁾External capacitors at each crystal pin to ground are required. They are necessary to tune the open-loop frequency of the internal PLL and to stabilize the frequency in closed-loop operation. Due to different layouts, <u>the accurate capacitor size should be determined with the customer PCB</u>. The suggested values (1.5...3.3 pF) are figures based on experience and should serve as "start value".</p> <p>To define the capacitor size, reset the MSP and transfer only the following I²C-protocol: <80 10 0020 0060>. Measure the frequency at TP_CO-pin. Measurement at XTAL_IN/OUT pins is not possible. Change the capacitor size until the frequency matches $18.432/3 = 6.144$ MHz as closely as possible. The higher the capacity, the lower the resulting clock frequency.</p>						

4.6.3. Characteristics

at $T_A = 0$ to 70 °C, $f_{\text{CLOCK}} = 18.432$ MHz, $V_{\text{SUP1}} = 7.6$ to 8.7 V, $V_{\text{SUP2}} = 4.75$ to 5.25 V for min./max. values
 at $T_A = 60$ °C, $f_{\text{CLOCK}} = 18.432$ MHz, $V_{\text{SUP1}} = 8$ V, $V_{\text{SUP2}} = 5$ V for typical values,
 T_J = Junction Temperature
 MAIN (M) = Loudspeaker Channel

4.6.3.1. General Characteristics

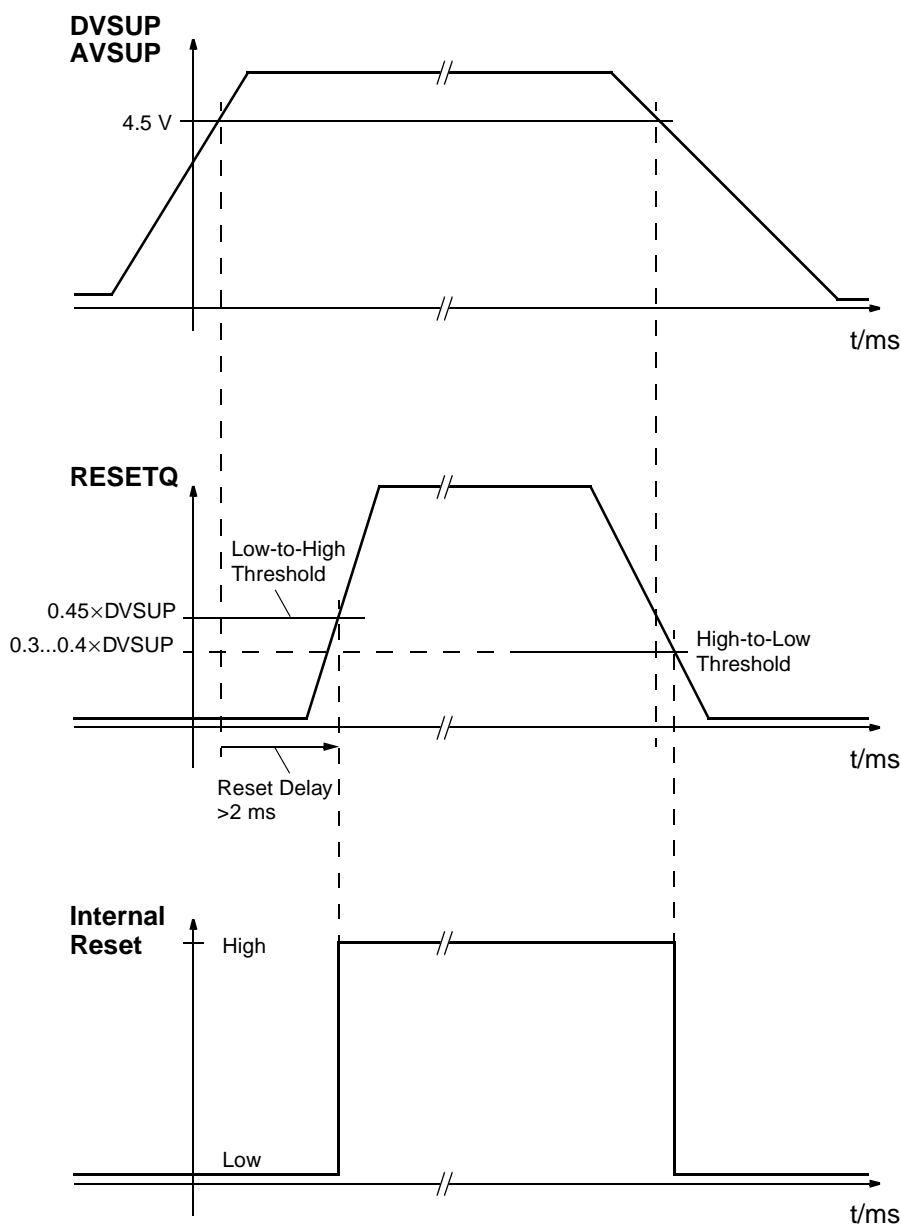
Symbol	Parameter	Pin Name	Min.	Typ.	Max.	Unit	Test Conditions
Supply							
I_{SUP1A}	First Supply Current (active) (AHVSUP = 8 V)	AHVSUP		14 10	22 16	mA mA	Volume Main = 0 dB Volume Main = -30 dB
	First Supply Current (active) (AHVSUP = 5 V)			11 8	16 11	mA mA	Volume Main = 0 dB Volume Main = -30 dB
I_{SUP2A}	Second Supply Current (active)	DVSUP		55	70	mA	
I_{SUP3A}	Third Supply Current (active)	AVSUP		30	38	mA	
I_{SUP1S}	First Supply Current (AHVSUP = 8 V)	AHVSUP		5.6	7.7	mA	STANDBYQ = low
	First Supply Current (AHVSUP = 5 V)			3.7	5.1	mA	STANDBYQ = low
Clock							
f_{CLOCK}	Clock Input Frequency	XTAL_IN		18.432		MHz	
D_{CLOCK}	Clock High to Low Ratio			45	55	%	
t_{JITTER}	Clock Jitter (verification not provided in production test)				50	ps	
V_{xtalDC}	DC-Voltage Oscillator			2.5		V	
t_{Startup}	Oscillator Startup Time at VDD Slew-rate of 1 V/1 μ s	XTAL_IN, XTAL_OUT		0.4	2	ms	

4.6.3.2. Digital Inputs, Digital Outputs

Symbol	Parameter	Pin Name	Min.	Typ.	Max.	Unit	Test Conditions
Digital Input Levels							
V_{DIGIL}	Digital Input Low Voltage	STANDBYQ			0.2	V_{SUP2}	
V_{DIGIH}	Digital Input High Voltage		0.5			V_{SUP2}	
Z_{DIGI}	Input Impedance				5	pF	
I_{DLEAK}	Digital Input Leakage Current		-1		1	μA	$0 V < U_{INPUT} < DVSUP$ D_CTR_I/O_0/1: tri-state
V_{DIGIL}	Digital Input Low Voltage	ADR_SEL			0.2	V_{SUP2}	
V_{DIGIH}	Digital Input High Voltage		0.8			V_{SUP2}	
I_{ADRSEL}	Input Current Address Select Pin		-500	-220		μA	$U_{ADR_SEL} = DVSS$
				220	500	μA	$U_{ADR_SEL} = DVSUP$
Z_{TESTEN}	Input Capacitance	TESTEN			5	pF	
I_{TESTEN}	Input Low Current		-30			μA	$U_{TESTEN} = AVSS$
Digital Output Levels							
V_{DCTRL}	Digital Output Low Voltage	D_CTR_I/O_0 D_CTR_I/O_1			0.4	V	IDDCTR = 1 mA
V_{DCTROH}	Digital Output High Voltage		V_{SUP2} -0.3				V

4.6.3.3. Reset Input and Power-Up

Symbol	Parameter	Pin Name	Min.	Typ.	Max.	Unit	Test Conditions
RESETQ Input Levels							
V_{RHL}	Reset High-Low Transition Voltage	RESETQ	0.3		0.4	V_{SUP2}	
V_{RLH}	Reset Low-High Transition Voltage		0.45		0.55	V_{SUP2}	
Z_{RES}	Input Capacitance				5	pF	
I_{RES}	Input High Current				20	μA	$U_{RESETQ} = DVSUP$



Note: The reset should not reach high level before the oscillator has started. This requires a reset delay of $> 2 \text{ ms}$

$0.45 \times DVSUP$ means 2.25 Volt with $DVSUP = 5.0 \text{ V}$

Fig. 4-20: Power-up sequence

4.6.3.4. I²C Bus Characteristics

Symbol	Parameter	Pin Name	Min.	Typ.	Max.	Unit	Test Conditions
V _{I2CIL}	I ² C-Bus Input Low Voltage	I2C_CL, I2C_DA			0.3	V _{SUP2}	
V _{I2CIH}	I ² C-Bus Input High Voltage		0.6			V _{SUP2}	
t _{I2C1}	I ² C Start Condition Setup Time		120			ns	
t _{I2C2}	I ² C Stop Condition Setup Time		120			ns	
t _{I2C5}	I ² C-Data Setup Time before Rising Edge of Clock		55			ns	
t _{I2C6}	I ² C-Data Hold Time after Falling Edge of Clock		55			ns	
t _{I2C3}	I ² C-Clock Low Pulse Time	I2C_CL	500			ns	
t _{I2C4}	I ² C-Clock High Pulse Time		500			ns	
f _{I2C}	I ² C-BUS Frequency				1.0	MHz	
V _{I2COL}	I ² C-Data Output Low Voltage	I2C_CL, I2C_DA			0.4	V	I _{I2COL} = 3 mA
I _{I2COH}	I ² C-Data Output High Leakage Current				1.0	μA	V _{I2COH} = 5 V
t _{I2COL1}	I ² C-Data Output Hold Time after Falling Edge of Clock		15			ns	
t _{I2COL2}	I ² C-Data Output Setup Time before Rising Edge of Clock		100			ns	f _{I2C} = 1 MHz

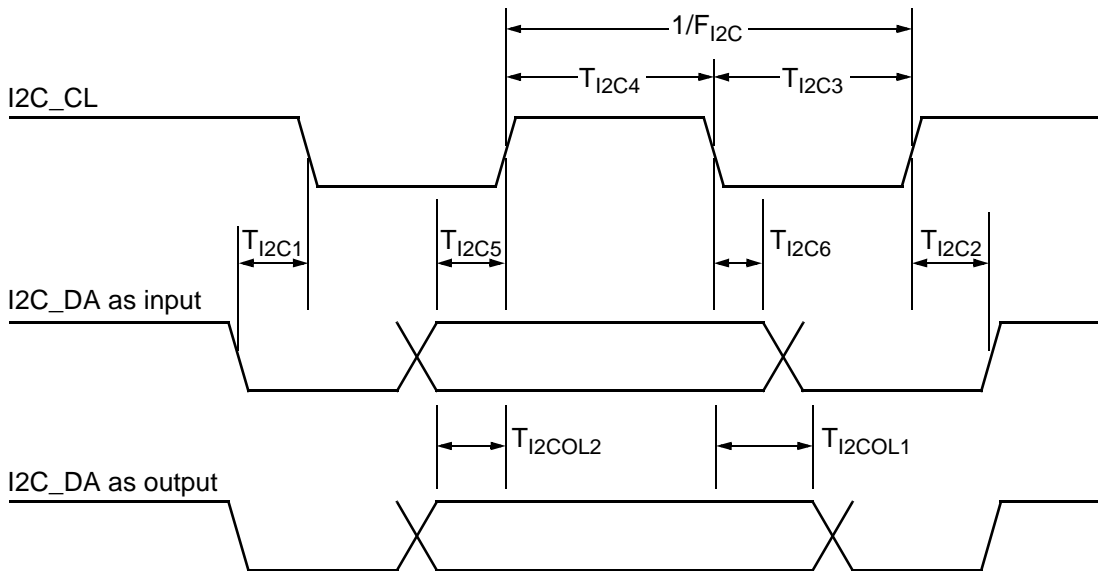


Fig. 4–21: I²C bus timing diagram

4.6.3.5. Analog Baseband Inputs and Outputs, AGNDC

Symbol	Parameter	Pin Name	Min.	Typ.	Max.	Unit	Test Conditions
Analog Ground							
V _{AGNDC0}	AGNDC Open Circuit Voltage (AHVSUP = 8 V)	AGNDC		3.77		V	R _{load} ≥ 10 MΩ
	AGNDC Open Circuit Voltage (AHVSUP = 5 V)			2.51		V	
R _{outAGN}	AGNDC Output Resistance (AHVSUP = 8 V)		70	125	180	kΩ	3 V ≤ V _{AGNDC} ≤ 4 V
	AGNDC Output Resistance (AHVSUP = 5 V)		47	83	120	kΩ	
Analog Input Resistance							
R _{inSC}	SCART Input Resistance from T _A = 0 to 70 °C	SC1_IN_s ¹⁾	25	40	58	kΩ	f _{signal} = 1 kHz, I = 0.05 mA
R _{inMONO}	MONO Input Resistance from T _A = 0 to 70 °C	MONO_IN	15	24	35	kΩ	f _{signal} = 1 kHz, I = 0.1 mA
Audio Analog-to-Digital-Converter							
V _{AICL}	Analog Input Clipping Level for Analog-to-Digital-Conversion (AHVSUP = 8 V)	SC1_IN_s ¹⁾ MONO_IN	2.00		2.25	V _{RMS}	f _{signal} = 1 kHz
	Analog Input Clipping Level for Analog-to-Digital-Conversion (AHVSUP = 5 V)		1.13		1.51	V _{RMS}	
SCART Output							
R _{outSC}	SCART Output Resistance	SCn_OUT_s ¹⁾	200 200	330	460 500	Ω Ω	f _{signal} = 1 kHz, I = 0.1 mA T _j = 27 °C T _A = 0 to 70 °C
dV _{OUTSC}	Deviation of DC-Level at SCART Output from AGNDC Voltage		-70		+70	mV	
A _{SCtoSC}	Gain from Analog Input to SCART Output	SCn_IN_s ¹⁾ MONO_IN	-1.0		+0.5	dB	f _{signal} = 1 kHz
f _{rSCtoSC}	Frequency Response from Analog Input to SCART Output	→ SCn_OUT_s ¹⁾	-0.5		+0.5	dB	with resp. to 1 kHz Bandwidth: 0 to 20000 Hz
V _{outSC}	Signal Level at SCART Output (AHVSUP = 8 V)	SCn_OUT_s ¹⁾	1.8	1.9	2.0	V _{RMS}	f _{signal} = 1 kHz Volume 0 dB Full Scale input from I ² S
	Signal Level at SCART Output (AHVSUP = 5 V)		1.17	1.27	1.37	V _{RMS}	
1) "s" means "L" or "R"							

Symbol	Parameter	Pin Name	Min.	Typ.	Max.	Unit	Test Conditions	
Main Output								
R_{outMA}	Main Output Resistance	DACM_s ¹⁾	2.1 2.1	3.3	4.6 5.0	k Ω k Ω	$f_{signal} = 1 \text{ kHz}$, $I = 0.1 \text{ mA}$, $T_J = 27 \text{ }^\circ\text{C}$ $T_A = 0 \text{ to } 70 \text{ }^\circ\text{C}$	
$V_{outDCMA}$	DC-Level at Main-Output (AHVSUP = 8 V)	DACM_s ¹⁾	1.80	2.04 61	2.28	V mV	Volume Main = 0 dB Volume Main = -30 dB	
	DC-Level at Main-Output (AHVSUP = 5 V)		1.12	1.36 40	1.60	V mV	Volume Main = 0 dB Volume Main = -30 dB	
V_{outMA}	Signal Level at Main-Output (AHVSUP = 8 V)		1.23	1.37	1.51	V_{RMS}	$f_{signal} = 1 \text{ kHz}$, full scale, Volume Main = 0 dB	
	Signal Level at Main-Output (AHVSUP = 5 V)		0.76	0.90	1.04	V_{RMS}		
1) "s" means "L" or "R"								

4.6.3.6. Sound IF Input

Symbol	Parameter	Pin Name	Min.	Typ.	Max.	Unit	Test Conditions
R_{IFIN}	Input Impedance	ANA_IN1+, ANA_IN-	1.5 6.8	2 9.1	2.5 11.4	k Ω k Ω	Gain AGC = 20 dB Gain AGC = 3 dB
$DC_{VREFTOP}$	DC Voltage at VREFTOP	VREFTOP	2.4	2.65	2.75	V	
DC_{ANA_IN}	DC Voltage on IF Inputs	ANA_IN1+, ANA_IN-	1.3	1.5	1.7	V	
$XTALK_{IF}$	Crosstalk Attenuation	ANA_IN1+, ANA_IN-	40			dB	$f_{signal} = 1 \text{ MHz}$ Input Level = -2 dB
BW_{IF}	3 dB Bandwidth		10			MHz	
AGC	AGC Step Width			0.85		dB	

4.6.3.7. Power Supply Rejection

Symbol	Parameter	Pin Name	Min.	Typ.	Max.	Unit	Test Conditions
PSRR: Rejection of Noise on AHVSUP at 1 kHz							
PSRR	AGNDC	AGNDC		80		dB	
	From Analog Input to SCART Output	MONO_IN, SC1_IN_s ¹⁾ SC1_OUT_s ¹⁾		70		dB	
1) "s" means "L" or "R"							

4.6.3.8. Analog Performance

Symbol	Parameter	Pin Name	Min.	Typ.	Max.	Unit	Test Conditions
Specifications for AHVSUP = 8 V							
SNR	Signal-to-Noise Ratio						
	from Analog Input to SCART Output	MONO_IN, SC1_IN_s ¹⁾ → SC1_OUT_s ¹⁾	93	96		dB	Input Level = -20 dB, f _{sig} = 1 kHz, unweighted 20 Hz...20 kHz
THD	Total Harmonic Distortion						
	from Analog Input to SCART Output	MONO_IN, SC1_IN_s → SC1_OUT_s ¹⁾		0.01	0.03	%	Input Level = -3 dB, f _{sig} = 1 kHz, unweighted 20 Hz...20 kHz
Specifications for AHVSUP = 5 V							
SNR	Signal-to-Noise Ratio						
	from Analog Input to SCART Output	MONO_IN, SC1_IN_s ¹⁾ → SC1_OUT_s ¹⁾	90	93		dB	Input Level = -20 dB, f _{sig} = 1 kHz, unweighted 20 Hz...20 kHz
THD	Total Harmonic Distortion						
	from Analog Input to SCART Output	MONO_IN, SC1_IN_s → SC1_OUT_s ¹⁾			0.1	%	Input Level = -3 dB, f _{sig} = 1 kHz, unweighted 20 Hz...20 kHz
CROSSTALK Specifications for AHVSUP = 8 V and 5 V							
XTALK	Crosstalk Attenuation						Input Level = -3 dB, f _{sig} = 1 kHz, unused analog inputs connected to ground by Z < 1 kΩ
	between left and right channel within SCART Input/Output pair (L→R, R→L) SC1_IN → SC1_OUT		80			dB	unweighted 20 Hz...20 kHz
	between MONO Input and SCART Input		95			dB	unweighted 20 Hz...20 kHz
1) "s" means "L" or "R"							

4.6.3.9. Sound Standard Dependent Characteristics

Symbol	Parameter	Pin Name	Min.	Typ.	Max.	Unit	Test Conditions
NICAM Characteristics (MSP Standard Code = 8)							
$dV_{NICAMOUT}$	Tolerance of Output Voltage of NICAM Baseband Signal	DACM_s, SC1_OUT_s ¹⁾	-1.5		+1.5	dB	2.12 kHz, Modulator input level = 0 dBref
S/N_{NICAM}	S/N of NICAM Baseband Signal		72			dB	NICAM: -6 dB, 1 kHz, RMS unweighted 0 to 15 kHz, Vol = 9 dB NIC_Presc = 7F _{hex} Output level 1 V _{RMS} at DACM_s
THD_{NICAM}	Total Harmonic Distortion + Noise of NICAM Baseband Signal				0.1	%	2.12 kHz, Modulator input level = 0 dBref
BER_{NICAM}	NICAM: Bit Error Rate				1	10 ⁻⁷	FM+NICAM, norm conditions
fR_{NICAM}	NICAM Frequency Response, 20...15000 Hz		-1.0		+1.0	dB	Modulator input level = -12 dB dBref; RMS
$XTALK_{NICAM}$	NICAM Crosstalk Attenuation (Dual)		80			dB	
SEP_{NICAM}	NICAM Channel Separation (Stereo)		80			dB	
FM Characteristics (MSP Standard Code = 3)							
dV_{FMOUT}	Tolerance of Output Voltage of FM Demodulated Signal	DACM_s, SC1_OUT_s ¹⁾	-1.5		+1.5	dB	1 FM-carrier, 50 μs, 1 kHz, 40 kHz deviation; RMS
S/N_{FM}	S/N of FM Demodulated Signal		73			dB	1 FM-carrier 5.5 MHz, 50 μs, 1 kHz, 40 kHz deviation; RMS, unweighted 0 to 15 kHz (for S/N); full input range, FM-Prescale = 46 _{hex} ; Vol = 0 dB → Output Level 1 V _{RMS} at DACM_s
THD_{FM}	Total Harmonic Distortion + Noise of FM Demodulated Signal				0.1	%	
fR_{FM}	FM Frequency Responses, 20...15000 Hz		-1.0		+1.0	dB	1 FM-carrier 5.5 MHz, 50 μs, Modulator input level = -14.6 dBref; RMS
$XTALK_{FM}$	FM Crosstalk Attenuation (Dual)		80			dB	2 FM-carriers 5.5/5.74 MHz, 50 μs, 1 kHz, 40 kHz deviation; Bandpass 1 kHz
SEP_{FM}	FM Channel Separation (Stereo)		50			dB	2 FM-carriers 5.5/5.74 MHz, 50 μs, 1 kHz, 40 kHz deviation; RMS
AM Characteristics (MSP Standard Code = 9)							
$S/N_{AM(1)}$	S/N of AM Demodulated Signal measurement condition: RMS/Flat	DACM_s, SC1_OUT_s ¹⁾	55			dB	SIF level: 0.1–0.8 V _{pp} AM-carrier 54% at 6.5 MHz Vol = 0 dB, FM/AM prescaler set for output = 0.5 V _{RMS} at Loudspeaker out; Standard Code = 09 _{hex} no video/chroma components
$S/N_{AM(2)}$	S/N of AM Demodulated Signal measurement condition: QP/CCIR		45			dB	
THD_{AM}	Total Harmonic Distortion + Noise of AM Demodulated Signal				0.6	%	
fR_{AM}	AM Frequency Response 50...12000 Hz		-2.5		+1.0	dB	
1) "s" means "L" or "R"							

Symbol	Parameter	Pin Name	Min.	Typ.	Max.	Unit	Test Conditions	
BTSC Characteristics (MSP Standard Code = 20_{hex}, 21_{hex})								
S/N _{BTSC}	S/N of BTSC Stereo Signal	DACM_s, SC1_OUT_s ¹⁾	68			dB	1 kHz L or R or SAP, 100% modulation, 75 μs deemphasis, RMS unweighted 0 to 15 kHz	
	S/N of BTSC-SAP Signal		57			dB		
THD _{BTSC}	THD+N of BTSC Stereo Signal					0.1	%	1 kHz L or R or SAP, 100% 75 μs EIM ²⁾ , DBX NR or MNR, RMS unweighted 0 to 15 kHz
	THD+N of BTSC SAP Signal					0.5	%	
f _{RDBX}	Frequency Response of BTSC Stereo, 50 Hz...12 kHz			-1.0		1.0	dB	L or R or SAP, 1%...66% EIM ²⁾ , DBX NR
	Frequency Response of BTSC-SAP, 50 Hz...9 kHz			-1.0		1.0	dB	
f _{RMNR}	Frequency Response of BTSC Stereo, 50 Hz...12 kHz			-2.0		2.0	dB	L or R 5%...66% EIM ²⁾ , MNR
	Frequency Response of BTSC-SAP, 50 Hz...9 kHz			-2.0		2.0	dB	
XTALK _{BTSC}	Stereo → SAP			76			dB	1 kHz L or R or SAP, 100% modulation, 75 μs deemphasis, Bandpass 1 kHz
	SAP → Stereo			80			dB	
SEP _{DBX}	Stereo Separation DBX NR 50 Hz...10 kHz		35			dB	L or R 1%...66% EIM ²⁾ , DBX NR	
	50 Hz...12 kHz		30			dB		
SEP _{MNR}	Stereo Separation MNR		30			dB	L = 300 Hz, R = 3.1 kHz 14% Modulation, MNR	
FM _{pil}	Pilot deviation threshold	ANA_IN1+					4.5 MHz carrier modulated with f _h = 15.734 kHz SIF level = 100 mV _{pp} indication: STATUS Bit[6]	
	Stereo off → on		3.2		3.5	kHz		
Stereo on → off	1.2			1.5	kHz			
f _{Pilot}	Pilot Frequency Range		15.563		15.843	kHz	standard BTSC stereo signal, sound carrier only	
<p>1) "s" means "L" or "R"</p> <p>2) EIM refers to 75-μs Equivalent Input Modulation. It is defined as the audio-signal level which results in a stated percentage modulation, when the DBX encoding process is replaced by a 75-μs preemphasis network.</p>								

Symbol	Parameter	Pin Name	Min.	Typ.	Max.	Unit	Test Conditions
BTSC Characteristics (MSP Standard Code = 20_{hex}, 21_{hex}) with a minimum IF input signal level of 70 mVpp (measured without any video/chroma signal components)							
S/N _{BTSC}	S/N of BTSC Stereo Signal	DACM_s, SC1_OUT_s ¹⁾	64			dB	1 kHz L or R or SAP, 100% modulation, 75 μs deemphasis, RMS unweighted 0 to 15 kHz
	S/N of BTSC-SAP Signal		55			dB	
THD _{BTSC}	THD+N of BTSC Stereo Signal				0.15	%	1 kHz L or R or SAP, 100% 75 μs EIM ²⁾ , DBX NR or MNR, RMS unweighted 0 to 15 kHz
	THD+N of BTSC SAP Signal				0.8	%	
f _{RDBX}	Frequency Response of BTSC Stereo, 50 Hz...12 kHz		-1.0		1.0	dB	L or R or SAP, 1%...66% EIM ²⁾ , DBX NR
	Frequency Response of BTSC-SAP, 50 Hz...9 kHz		-1.0		1.0	dB	
f _{RMNR}	Frequency Response of BTSC Stereo, 50 Hz...12 kHz		-2.0		2.0	dB	L or R 5%...66% EIM ²⁾ , MNR
	Frequency Response of BTSC-SAP, 50 Hz...9 kHz		-2.0		2.0	dB	SAP, white noise, 10% Modulation, MNR
XTALK _{BTSC}	Stereo → SAP		75			dB	1 kHz L or R or SAP, 100% modulation, 75 μs deemphasis, Bandpass 1 kHz
	SAP → Stereo		75			dB	
SEP _{DBX}	Stereo Separation DBX NR 50 Hz...10 kHz	35			dB	L or R 1%...66% EIM ²⁾ , DBX NR	
	50 Hz...12 kHz	30			dB		
SEP _{MNR}	Stereo Separation MNR	30			dB	L = 300 Hz, R = 3.1 kHz 14% Modulation, MNR	
<p>1) "s" means "L" or "R"</p> <p>2) EIM refers to 75-μs Equivalent Input Modulation. It is defined as the audio-signal level which results in a stated percentage modulation, when the DBX encoding process is replaced by a 75-μs preemphasis network.</p>							

Symbol	Parameter	Pin Name	Min.	Typ.	Max.	Unit	Test Conditions
EIA-J Characteristics (MSP Standard Code = 30_{hex})							
S/N _{EIAJ}	S/N of EIA-J Stereo Signal S/N of EIA-J Sub-Channel	DACM_s, SC1_OUT_s ¹⁾	60 60			dB dB	1 kHz L or R, 100% modulation, 75 μs deemphasis, RMS unweighted 0 to 15 kHz
THD _{EIAJ}	THD+N of EIA-J Stereo Signal THD+N of EIA-J Sub-Channel				0.2 0.3	% %	
f _R _{EIAJ}	Frequency Response of EIA-J Stereo, 50 Hz...12 kHz		-1.0		1.0	dB	100% modulation, 75 μs deemphasis
	Frequency Response of EIA-J Sub-Channel, 50 Hz...12 kHz		-1.0		1.0	dB	
XTALK _{EIAJ}	Main → SUB		66			dB	1 kHz L or R, 100% modulation, 75 μs deemphasis, Bandpass 1 kHz
	Sub → MAIN	80			dB		
SEP _{EIAJ}	Stereo Separation 50 Hz...5 kHz 50 Hz...10 kHz		35 28			dB dB	EIA-J Stereo Signal, L or R 100% modulation
FM-Radio Characteristics (MSP Standard Code = 40_{hex})							
S/N _{UKW}	S/N of FM-Radio Stereo Signal	DACM_s, SC1_OUT_s ¹⁾	68			dB	1 kHz L or R, 100% modulation, 75 μs deemphasis, RMS unweighted 0 to 15 kHz
THD _{UKW}	THD+N of FM-Radio Stereo Signal				0.1	%	
f _R _{UKW}	Frequency Response of FM-Radio Stereo 50 Hz...15 kHz		-1.0		+1.0	dB	L or R, 1%...100% modulation, 75 μs deemphasis
SEP _{UKW}	Stereo Separation 50 Hz...15 kHz		45			dB	
f _{Pilot}	Pilot Frequency Range	ANA_IN1+	18.844		19.125	kHz	standard FM radio stereo signal
1) "s" means "L" or "R"							

5. Appendix A: Overview of TV Sound Standards

5.1. NICAM 728

Table 5–1: Summary of NICAM 728 sound modulation parameters

Specification	I	B/G	L		D/K	
Carrier frequency of digital sound	6.552 MHz	5.85 MHz	5.85 MHz		5.85 MHz	
Transmission rate	728 kbit/s					
Type of modulation	Differentially encoded quadrature phase shift keying (DQPSK)					
Spectrum shaping Roll-off factor	by means of Roll-off filters					
	1.0	0.4	0.4		0.4	
Carrier frequency of analog sound component	6.0 MHz FM mono	5.5 MHz FM mono	6.5 MHz AM mono terrestrial cable		6.5 MHz FM mono	
Power ratio between vision carrier and analog sound carrier	10 dB	13 dB	10 dB	16 dB	13 dB	
Power ratio between analog and modulated digital sound carrier	10 dB	7 dB	17 dB	11 dB	China/ Hungary	Poland
					12 dB	7 dB

Table 5–2: Summary of NICAM 728 sound coding characteristics

Characteristics	Values
Audio sampling frequency	32 kHz
Number of channels	2
Initial resolution	14 bit/sample
Companding characteristics	near instantaneous, with compression to 10 bits/sample in 32-samples (1 ms) blocks
Coding for compressed samples	2's complement
Preemphasis	CCITT Recommendation J.17 (6.5 dB attenuation at 800 Hz)
Audio overload level	+12 dBm measured at the unity gain frequency of the preemphasis network (2 kHz)

5.2. A2 Systems

Table 5–3: Key parameters for A2 Systems of Standards B/G, D/K, and M

Characteristics	Sound Carrier FM1			Sound Carrier FM2		
	B/G	D/K	M	B/G	D/K	M
TV-Sound Standard						
Carrier frequency in MHz	5.5	6.5	4.5	5.7421875	6.2578125 6.7421875 5.7421875	4.724212
Vision/sound power difference	13 dB			20 dB		
Sound bandwidth	40 Hz to 15 kHz					
Preemphasis	50 μs		75 μs	50 μs		75 μs
Frequency deviation (nom/max)	±27/±50 kHz		±17/±25 kHz	±27/±50 kHz		±15/±25 kHz
Transmission Modes						
Mono transmission	mono			mono		
Stereo transmission	(L+R)/2		(L+R)/2	R	(L-R)/2	
Dual sound transmission	language A			language B		
Identification of Transmission Mode						
Pilot carrier frequency				54.6875 kHz	55.0699 kHz	
Max. deviation portion				±2.5 kHz		
Type of modulation / modulation depth				AM / 50%		
Modulation frequency				mono: unmodulated stereo: 117.5 Hz dual: 274.1 Hz	149.9 Hz 276.0 Hz	

5.3. BTSC-Sound System

Table 5–4: Key parameters for BTSC-Sound Systems

	Aural Carrier	BTSC-MPX-Components				
		(L+R)	Pilot	(L–R)	SAP	Prof. Ch.
Carrier frequency ($f_{hNTSC} = 15.734$ kHz) ($f_{hPAL} = 15.625$ kHz)	4.5 MHz	Baseband	f_h	$2 f_h$	$5 f_h$	$6.5 f_h$
Sound bandwidth in kHz		0.05 - 15		0.05 - 15	0.05 - 12	0.05 - 3.4
Preemphasis		75 μ s		DBX	DBX	150 μ s
Max. deviation to Aural Carrier	73 kHz (total)	25 kHz ¹⁾	5 kHz	50 kHz ¹⁾	15 kHz	3 kHz
Max. Freq. Deviation of Subcarrier Modulation Type				AM	10 kHz FM	3 kHz FM
1) Sum does not exceed 50 kHz due to interleaving effects						

5.4. Japanese FM Stereo System (EIA-J)

Table 5–5: Key parameters for Japanese FM-Stereo Sound System EIA-J

	Aural Carrier FM	EIA-J-MPX-Components		
		(L+R)	(L–R)	Identification
Carrier frequency ($f_h = 15.734$ kHz)	4.5 MHz	Baseband	$2 f_h$	$3.5 f_h$
Sound bandwidth		0.05 - 15 kHz	0.05 - 15 kHz	–
Preemphasis		75 μ s	75 μ s	none
Max. deviation portion to Aural Carrier	47 kHz	25 kHz	20 kHz	2 kHz
Max. Freq. Deviation of Subcarrier Modulation Type			10 kHz FM	60% AM
Transmitter-sided delay		20 μ s	0 μ s	0 μ s
Mono transmission		L+R	–	unmodulated
Stereo transmission		L+R	L–R	982.5 Hz
Bilingual transmission		Language A	Language B	922.5 Hz

5.5. FM Satellite Sound

Table 5–6: Key parameters for FM Satellite Sound

Carrier Frequency	Maximum FM Deviation	Sound Mode	Bandwidth	Deemphasis
6.5 MHz	85 kHz	Mono	15 kHz	50 μ s
7.02/7.20 MHz	50 kHz	Mono/Stereo/Bilingual	15 kHz	adaptive
7.38/7.56 MHz	50 kHz	Mono/Stereo/Bilingual	15 kHz	adaptive
7.74/7.92 MHz	50 kHz	Mono/Stereo/Bilingual	15 kHz	adaptive

5.6. FM-Stereo Radio

Table 5–7: Key parameters for FM-Stereo Radio Systems

	Aural Carrier	FM-Radio-MPX-Components			
		(L+R)	Pilot	(L–R)	RDS/ARI
Carrier frequency ($f_p = 19$ kHz)	10.7 MHz	Baseband	f_p	$2 f_p$	$3 f_h$
Sound bandwidth in kHz		0.05 - 15		0.05 - 15	
Preemphasis: – USA – Europe		75 μ s 50 μ s		75 μ s 50 μ s	
Max. deviation to Aural Carrier	75 kHz (100%)	90% ¹⁾	10%	90% ¹⁾	5%
¹⁾ Sum does not exceed 90% due to interleaving effects.					

6. Appendix B: Manual/Compatibility Mode

To adapt the modes of the STANDARD SELECT register to individual requirements and for reasons of **compatibility to the MSP 34x7D**, the MSP 34x7G offers an Manual/Compatibility Mode, which provides sophisticated programming of the MSP 34x7G.

Using the STANDARD SELECT register generally provides a more economic way to program the MSP 34x7G and will result in optimal behavior. **Therefore, it is not recommend to use the Manual/Compatibility mode.** In those cases, where the MSP 34x7D is to be substituted by the MSP 34x7G, the tips given in Section 6.9. on page 74 have to be obeyed by the controller software.

6.1. Demodulator Write and Read Registers for Manual/Compatibility Mode

Table 6–1: Demodulator Write Registers; Subaddress: 10_{hex}; these registers are not readable!

Demodulator Write Registers	Address (hex)	MSP-Version	Description	Reset Mode	Page
AUTO_FM/AM	00 21	3417, 3457	<p>1. MODUS[0]=1 (Automatic Sound Select): Switching Level threshold of Automatic Switching between NICAM and FM/AM in case of bad NICAM reception</p> <p>2. MODUS[0]=0 (Manual Mode): Activation and configuration of Automatic Switching between NICAM and FM/AM in case of bad NICAM reception</p>	00 00	62
A2_Threshold	00 22	all	A2 Stereo Identification Threshold	00 19 _{hex}	64
CM_Threshold	00 24	all	Carrier-Mute Threshold	00 2A _{hex}	64
AD_CV	00 BB	all	SIF-input selection, configuration of AGC, and Carrier-Mute Function	00 00	65
MODE_REG	00 83	3417, 3457	<p>Controlling of MSP-Demodulator and Interface options. As soon as this register is applied, the MSP 34x7G works in the MSP 34x7D compatibility mode.</p> <p>Warning: In this mode, BTSC, EIA-J, and FM-Radio are disabled. Only MSP 34x7D features are available; the use of MODUS and STATUS register is not allowed.</p> <p>The MSP 34x7G is reset to the normal mode by first programming the MODUS register followed by transmitting a valid standard code to the STANDARD SELECTION register.</p>	00 00	67
FIR1 FIR2	00 01 00 05		<p>FIR1-filter coefficients channel 1 (6 · 8 bit)</p> <p>FIR2-filter coefficients channel 2 (6 · 8 bit), + 3 · 8 bit offset (total 72 bit)</p>	00 00	68
DCO1_LO DCO1_HI DCO2_LO DCO2_HI	00 93 00 9B 00 A3 00 AB		<p>Increment channel 1 Low Part</p> <p>Increment channel 1 High Part</p> <p>Increment channel 2 Low Part</p> <p>Increment channel 2 High Part</p>	00 00	68
<p>Note: All registers except AUTO_FM/AM, A2_Threshold, and CM_Threshold are initialized during STANDARD SELECTION and are automatically updated when Automatic Sound Select (MODUS[0]=1) is on.</p>					

Table 6–2: Demodulator Read Registers; Subaddress: 11_{hex}; these registers are not writable!

Demodulator Read Registers	Address (hex)	MSP-Version	Description	Page
C_AD_BITS	00 23	3417, 3457	NICAM-Sync bit, NICAM-C-Bits, and three LSBs of additional data bits	70
ADD_BITS	00 38		NICAM: bit [10:3] of additional data bits	70
CIB_BITS	00 3E		NICAM: CIB1 and CIB2 control bits	70
ERROR_RATE	00 57		NICAM error rate, updated with 182 ms	71
PLL_CAPS	02 1F		Not for customer use.	71
AGC_GAIN	02 1E		Not for customer use.	71

6.2. DSP Write and Read Registers for Manual/Compatibility Mode

Table 6–3: DSP-Write Registers; Subaddress: 12_{hex}, all registers are readable as well

Write Register	Address (hex)	Bits	Operational Modes and Adjustable Range	Reset Mode	Page
Volume SCART1 channel: Ctrl. mode	00 07	[7:0]	[Linear mode / logarithmic mode]	00 _{hex}	72
FM Fixed Deemphasis	00 0F	[15:8]	[50 μs, 75 μs, J17, OFF]	50 μs	72
FM Adaptive Deemphasis		[7:0]	[OFF, WP1]	OFF	72
Identification Mode	00 15	[7:0]	[B/G, M]	B/G	73
FM DC Notch	00 17	[7:0]	[ON, OFF]	ON	73

Table 6–4: DSP Read Registers; Subaddress: 13_{hex}, all registers are not writable

Additional Read Registers	Address (hex)	Bits	Output Range	Page
Stereo detection register for A2 Stereo Systems	00 18	[15:8]	[80 _{hex} ... 7F _{hex}] 8 bit two's complement	73
DC level readout FM1/Ch2-L	00 1B	[15:0]	[8000 _{hex} ... 7FFF _{hex}] 16 bit two's complement	73
DC level readout FM2/Ch1-R	00 1C	[15:0]	[8000 _{hex} ... 7FFF _{hex}] 16 bit two's complement	73

**6.3. Manual/Compatibility Mode:
Description of Demodulator Write Registers**

6.3.1. Automatic Switching between NICAM and Analog Sound

In case of bad NICAM reception or loss of the NICAM-carrier, the MSP 34x7G offers an Automatic Switching (fall back) to the analog sound (FM/AM-mono), without the necessity for the controller of reading and evaluating any parameters. If a proper NICAM signal returns, switching back to this source is performed automatically as well. The feature evaluates the NICAM ERROR_RATE and switches, if necessary, all output channels which are assigned to the NICAM-source, to the analog source, and vice versa.

An appropriate hysteresis algorithm avoids oscillating effects (see Fig. 6–1). STATUS[9] and C_AD_BITS[11] (Addr: 0023 hex) provide information about the actual NICAM-FM/AM-status.

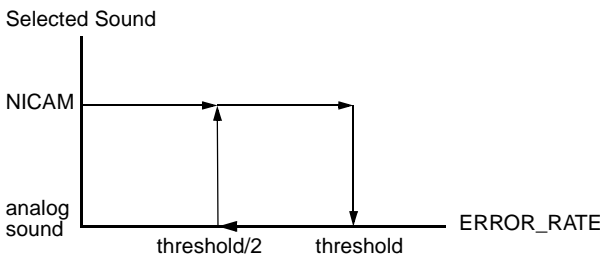


Fig. 6–1: Hysteresis for Automatic Switching

6.3.1.1. Function in Automatic Sound Select Mode

The Automatic Sound Select feature (MODUS[0]=1) includes the procedure mentioned above. By default, the internal ERROR_RATE threshold is set to 700_{dec}. i.e.:

- NICAM → analog Sound if ERROR_RATE > 700
- analog Sound → NICAM if ERROR_RATE < 700/2

The ERROR_RATE value of 700 corresponds to a BER of approximately 5.46*10⁻³ /s.

Individual configuration of the threshold can be done using Table 6–5. We recommend to use the internal setting used by the standard selection.

The optimum NICAM sound can be assigned to the MSP output channels by selecting one of the “Stereo or A/B”, “Stereo or A”, or “Stereo or B” source channels

6.3.1.2. Function in Manual Mode

If the manual mode (MODUS[0]=0) is required, the activation and configuration of the Automatic Switching feature has to be done as described in Table 6–6. Note, that the channel matrix of the corresponding output-channels must be set according to the NICAM-mode and need not to be changed in the FM/AM-fallback case.

Example:

Required threshold = 500: bits[10:1] = 00 1111 1010

Table 6–5: Coding of Automatic NICAM/Analog Sound Switching; Automatic Sound Select is on (MODUS[0] = 1)

Mode	Description	AUTO_FM [11:0] Addr. = 00 21 _{hex}	ERROR_RATE- Threshold/dec	Source Select: Input at NICAM Path ¹⁾
1 Default	Automatic Switching with internal threshold	bit[11:0] = 0	700	NICAM or FM/AM, depending on ERROR_RATE
2	Automatic Switching with external threshold (Customizing of Automatic Sound Select)	bit[11] = 0 bit[10:1] = 25...1000 = threshold/2 bit[0] = 1	set by customer; recommended range: 50...2000	
3	Forced Analog Mono	bit[11] = 1 bit[10:1] = ignored bit[0] = 1		always FM/AM

¹⁾ The NICAM path may be assigned to “Stereo or A/B”, “Stereo or A”, or “Stereo or B” source channels (see Table 2–2 on page 11).

Table 6–6: Coding of Automatic NICAM/Analog Sound Switching;
Automatic Sound Select is off (MODUS[0] = 0)

Mode	Description	AUTO_FM [11:0] Addr. = 00 21 _{hex}	ERROR_RATE- Threshold/dec	Source Select: Input at NICAM Path
0 reset status	Forced NICAM (Automatic Switching disabled)	bit[11] = 0 bit[10:1] = 0 bit[0] = 0	none	always NICAM; Mute in case of no NICAM available
1	Automatic Switching with internal threshold (Default, if Automatic Sound Select is on)	bit[11] = 0 bit[10:1] = 0 bit[0] = 1	700	NICAM or FM/AM, depending on ERROR_RATE
2	Automatic Switching with external threshold (Customizing of Automatic Sound Select)	bit[11] = 0 bit[10:1] = 25...1000 = threshold/2 bit[0] = 1	set by customer; recommended range: 50...2000	
3	Forced Analog Mono (Automatic Switching disabled)	bit[11] = 1 bit[10:1] = 0 bit[0] = 1	none	always FM/AM

6.3.2. A2 Threshold

The threshold between Stereo/Bilingual and Mono Identification for the A2 Standard has been made programmable according to the user's preferences. An internal hysteresis ensures robustness and stability.

Table 6–7: Write Register on I²C Subaddress 10_{hex} : A2 Threshold

Register Address	Function	Name
THRESHOLDS		
00 22 _{hex} (write)	<p>A2 THRESHOLD Register</p> <p>Defines threshold of all A2 and EIA_J standards for Stereo and Bilingual detection</p> <p>bit[15:0] 07F0_{hex} force Mono Identification</p> <p>...</p> <p>0190_{hex} default setting after reset</p> <p>...</p> <p>00A0_{hex} minimum Threshold for stable detection</p> <p>recommended range : 00A0_{hex}...03C0_{hex}</p>	A2_THRESH

6.3.3. Carrier-Mute Threshold

The Carrier-Mute threshold has been made programmable according to the user's preferences. An internal hysteresis ensures stable behavior.

Table 6–8: Write Register on I²C Subaddress 10_{hex} : Carrier-Mute Threshold

Register Address	Function	Name
THRESHOLDS		
00 24 _{hex} (write)	<p>Carrier-Mute THRESHOLD Register</p> <p>Defines threshold for the carrier mute feature</p> <p>bit[15:0] 0000_{hex} Carrier-Mute always ON (both channels muted)</p> <p>...</p> <p>002A_{hex} default setting after reset</p> <p>...</p> <p>07FF_{hex} Carrier-Mute always OFF (both channels forced on)</p> <p>recommended range : 0014_{hex}...0050_{hex}</p>	CM_THRESH

6.3.4. Register AD_CV

The use of this register is no longer recommended. Use it only in cases where compatibility to the MSP 34x7D is required. Using the STANDARD SELECTION register together with the MODUS register provides a more economic way to program the MSP 34x7G

Table 6–9: AD_CV Register; reset status: all bits are “0”

AD_CV (00 BB _{hex})			Automatic setting by STANDARD SELECT Register	
Bit	Function	Settings	2-8, 0A-51 _{hex}	9
[0]	not used	must be set to 0	0	0
[1:6]	Reference level in case of Automatic Gain Control = on (see Table 6–10). Constant gain factor when Automatic Gain Control = off (see Table 6–11).		101000	100011
[7]	Determination of Automatic Gain or Constant Gain	0 = constant gain 1 = automatic gain	1	1
[8]	not used	must be set to 0	0	0
[9]	MSP-Carrier-Mute Feature	0 = off: no mute 1 = on: mute as described in Section 2.2.2.	1	1
[10:15]	not used	must be set to 0	0	0
X: not affected while choosing the TV sound standard by means of the STANDARD SELECT Register				

Note: This register is initialized during STANDARD SELECTION and is automatically updated when Automatic Sound Select (MODUS[0]=1) is on.

Table 6–10: Reference values for active AGC (AD_CV[7] = 1)

Application	Input Signal Contains	AD_CV [6:1] Ref. Value	AD_CV [6:1] in decimal	Range of Input Signal at pin ANA_IN1+
Terrestrial TV				
– Dual Carrier FM	2 FM Carriers	101000	40	0.10 – 3 V _{pp} ¹⁾
– NICAM/FM	1 FM and 1 NICAM Carrier	101000	40	0.10 – 3 V _{pp} ¹⁾
– NICAM/AM	1 AM and 1 NICAM Carrier	100011	35	0.10 – 1.4 V _{pp} (recommended: 0.10 – 0.8 V _{pp})
– NICAM only	1 NICAM Carrier only	010100	20	0.05 – 1.0 V _{pp}
SAT	1 or more FM Carriers	100011	35	0.10 – 3 V _{pp} ¹⁾
¹⁾ For signals above 1.4 V _{pp} , the minimum gain of 3 dB is switched, and overflow of the A/D converter may result. Due to the robustness of the internal processing, the IC works up to and even more than 3 V _{pp} , if norm conditions of FM/NICAM or FM1/FM2 ratio are supposed. In this overflow case, a loss of FM-S/N-ratio of about 10 dB may appear.				

Table 6–11: AD_CV parameters for constant input gain (AD_CV[7]=0)

Step	AD_CV [6:1] Constant Gain	Gain	Input Level at pin ANA_IN1+ and ANA_IN2+
0	000000	3.00 dB	maximum input level: $3 V_{pp}$ (FM) or $1 V_{pp}$ (NICAM) ¹⁾
1	000001	3.85 dB	
2	000010	4.70 dB	
3	000011	5.55 dB	
4	000100	6.40 dB	
5	000101	7.25 dB	
6	000110	8.10 dB	
7	000111	8.95 dB	
8	001000	9.80 dB	
9	001001	10.65 dB	
10	001010	11.50 dB	
11	001011	12.35 dB	
12	001100	13.20 dB	
13	001101	14.05 dB	
14	001110	14.90 dB	
15	001111	15.75 dB	
16	010000	16.60 dB	
17	010001	17.45 dB	
18	010010	18.30 dB	
19	010011	19.15 dB	
20	010100	20.00 dB	maximum input level: $0.14 V_{pp}$

¹⁾ For signals above $1.4 V_{pp}$, the minimum gain of 3 dB is switched, and overflow of the A/D converter may result. Due to the robustness of the internal processing, the IC works up to and even more than $3 V_{pp}$, if norm conditions of FM/NICAM or FM1/FM2 ratio are supposed. In this overflow case, a loss of FM-S/N-ratio of about 10 dB may appear.

6.3.5. Register MODE_REG

Note: The use of this register is no longer recommended. It should be used only in cases where software compatibility to the MSP 34x7D is required. Using the STANDARD SELECTION register together with the MODUS register provides a more economic way to program the MSP 34x7G.

As soon as this register is applied, the MSP 34x7G works in the **MSP 34x7D Manual/Compatibility Mode**. In this mode, **BTSC, EIA-J, and FM-Radio are**

disabled. Only MSP 34x7D features are available; the use of MODUS and STATUS register is not allowed. The MSP 34x7G is reset to the normal mode by first programming the MODUS register, followed by transmitting a valid standard code to the STANDARD SELECTION register.

The register 'MODE_REG' contains the control bits determining the operation mode of the MSP 34x7G in the MSP 34x7D Manual/Compatibility Mode; Table 6–12 explains all bit positions.

Table 6–12: Control word 'MODE_REG'; reset status: all bits are "0"

MODE_REG 00 83 _{hex}				Automatic setting by STANDARD SELECT Register		
Bit	Function	Comment	Definition	2 - 5	8,A,B	9
[0]	not used		0 : must be used	0	0	0
[1]	DCTR_TRI	Digital control out 0/1 tri-state	0 : active 1 : tri-state	X	X	X
[2]	not used		1 : recommended	X	X	X
[3]	not used		0 : must be used	X	X	X
[4]	not used		0 : must be used	X	X	X
[5]	not used		1 : recommended	X	X	X
[6]	NICAM	Mode of MSP-Ch1	0 : FM 1 : Nicam	0	1	1
[7]	not used		0 : must be used	0	0	0
[8]	FM AM	Mode of MSP-Ch2	0 : FM 1 : AM	0	0	1
[9]	HDEV	High Deviation Mode (channel matrix must be sound A)	0 : normal 1 : high deviation mode	0	0	0
[11:10]	not used		0 : must be used	0	0	0
[12]	MSP-Ch1 Gain	see also Table 6–14	0 : Gain = 6 dB 1 : Gain = 0 dB	0	0	0
[13]	FIR1-Filter Coeff. Set	see also Table 6–14	0 : use FIR1 1 : use FIR2	1	0	0
[14]	not used		0 : recommended	0	0	0
[15]	AM-Gain	Gain for AM Demodulation	0 : 0 dB (default. of MSPB) 1 : 12 dB (recommended)	1	1	1
				X: not affected by STANDARD SELECT Register		

Table 6–13: Loading sequence for FIR-coefficients

FIR1 00 01 _{hex} (MSP-Ch1: NICAM/FM2)			
No.	Symbol Name	Bits	Value
1	NICAM/FM2_Coeff. (5)	8	see Table 6–14
2	NICAM/FM2_Coeff. (4)	8	
3	NICAM/FM2_Coeff. (3)	8	
4	NICAM/FM2_Coeff. (2)	8	
5	NICAM/FM2_Coeff. (1)	8	
6	NICAM/FM2_Coeff. (0)	8	
FIR2 00 05 _{hex} (MSP-Ch2: FM1/AM)			
No.	Symbol Name	Bits	Value
1	IMREG1	8	04 _{hex}
2	IMREG1 / IMREG2	8	40 _{hex}
3	IMREG2	8	00 _{hex}
4	FM/AM_Coef (5)	8	see Table 6–14
5	FM/AM_Coef (4)	8	
6	FM/AM_Coef (3)	8	
7	FM/AM_Coef (2)	8	
8	FM/AM_Coef (1)	8	
9	FM/AM_Coef (0)	8	

6.3.6. FIR-Parameter, Registers FIR1 and FIR2

Note: The use of this register is no longer recommended. Use it only in cases where software compatibility to the MSP 34x7D is required. Using the STANDARD SELECTION register together with the MODUS register provides a more economic way to program the MSP 34x7G.

Data shaping and/or FM/AM bandwidth limitation is performed by a pair of linear phase Finite Impulse Response filters (FIR-filter). The filter coefficients are programmable and either are configured automatically by the STANDARD SELECT register or written manually by the control processor via the control bus. Two not necessarily different sets of coefficients are required: one for MSP-Ch1 (NICAM or FM2) and one for MSP-Ch2 (FM1 = FM-mono). In Table 6–14 several coefficient sets are proposed.

To load the FIR-filters, the following data values are to be transferred **8 bits at a time embedded LSB-bound in a 16-bit word**.

The loading sequences must be obeyed. To change a coefficient set, the complete block FIR1 or FIR2 must be transmitted.

Note: For compatibility with MSP 3410B, IMREG1 and IMREG2 have to be transmitted. The value for IMREG1 and IMREG2 is 004. Due to the partitioning to 8-bit units, the values 04_{hex}, 40_{hex}, and 00_{hex} arise.

6.3.7. DCO-Registers

Note: The use of this register is no longer recommended. It should be used only in cases where software compatibility to the MSP 34x7D is required. Using the STANDARD SELECTION register together with the MODUS register provides a more economic way to program the MSP 34x7G.

When selecting a TV-sound standard by means of the STANDARD SELECT register, all frequency tuning is performed automatically.

If manual setting of the tuning frequency is required, a set of 24-bit registers determining the mixing frequencies of the quadrature mixers can be written manually into the IC. In Table 6–15, some examples of DCO registers are listed. It is necessary to divide them up into low part and high part. The formula for the calculation of the registers for any chosen IF-Frequency is as follows:

$$\text{INCR}_{\text{dec}} = \text{int}(f/\text{fs} \cdot 2^{24})$$

with: int = integer function
 f = IF-frequency in MHz
 f_S = sampling frequency (18.432 MHz)

Conversion of INCR into hex-format and separation of the 12-bit low and high parts lead to the required register values (DCO1_HI or _LO for MSP-Ch1, DCO2_HI or LO for MSP-Ch2).

Table 6–14: 8-bit FIR-coefficients (decimal integer); reset status: all coefficients are “0”

Coefficients for FIR1 00 01 _{hex} and FIR2 00 05 _{hex}														
Coef(i)	Terrestrial TV Standards							FM - Satellite FIR filter corresponds to a band-pass with a bandwidth of B = 130 to 500 kHz						
	B/G-, D/K- NICAM-FM		I- NICAM-FM		L- NICAM-AM		B/G-, D/K-, M-Dual FM	130 kHz	180 kHz	200 kHz	280 kHz	380 kHz	500 kHz	Auto- search
	FIR1	FIR2	FIR1	FIR2	FIR1	FIR2	FIR2	FIR2	FIR2	FIR2	FIR2	FIR2	FIR2	FIR2
0	-2	3	2	3	-2	-4	3	73	9	3	-8	-1	-1	-1
1	-8	18	4	18	-8	-12	18	53	18	18	-8	-9	-1	-1
2	-10	27	-6	27	-10	-9	27	64	28	27	4	-16	-8	-8
3	10	48	-4	48	10	23	48	119	47	48	36	5	2	2
4	50	66	40	66	50	79	66	101	55	66	78	65	59	59
5	86	72	94	72	86	126	72	127	64	72	107	123	126	126
Mode- REG[12]	0		0		0		0	1	1	1	1	1	1	0
Mode- REG[13]	0		0		0		1	1	1	1	1	1	1	0

For compatibility, except for the FIR2-AM and the Autosearch-sets, the FIR-filter programming as used for the MSP 3410B is also possible.

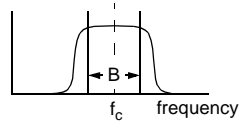


Table 6–15: DCO registers for the MSP 34x7G; reset status: DCO_HI/LO = “0000”

DCO1_LO 00 93 _{hex} , DCO1_HI 00 9B _{hex} ; DCO2_LO 00 A3 _{hex} , DCO2_HI 00 AB _{hex}					
Freq. MHz	DCO_HI/hex	DCO_LO/hex	Freq. MHz	DCO_HI/hex	DCO_LO/hex
4.5	03E8	0000			
5.04	0460	0000	5.76	0500	0000
5.5	04C6	038E	5.85	0514	0000
5.58	04D8	0000	5.94	0528	0000
5.7421875	04FC	00AA			
6.0	0535	0555	6.6	05BA	0AAA
6.2	0561	0C71	6.65	05C5	0C71
6.5	05A4	071C	6.8	05E7	01C7
6.552	05B0	0000			
7.02	0618	0000	7.2	0640	0000
7.38	0668	0000	7.56	0690	0000

6.4. Manual/Compatibility Mode: Description of Demodulator Read Registers

Note: The use of these register is no longer recommended. It should be used only in cases where software compatibility to the MSP 34x7D is required. Using the STANDARD SELECTION register together with the STATUS register provides a more economic way to program the MSP 34x7G and to retrieve information from the IC.

All registers except C_AD_BITS are 8 bit wide. They can be read out of the RAM of the MSP 34x7G if the MSP 34x7D compatibility mode is required.

All transmissions take place in 16-bit words. The valid 8-bit data are the 8 LSBs of the received data word.

If the Automatic Sound Select feature is not used, the NICAM or FM-identification parameters must be read and evaluated by the controller in order to enable appropriate switching of the channel select matrix of the baseband processing part. The FM-identification registers are described in Section 6.6.1. To handle the NICAM-sound and to observe the NICAM-quality, at least the registers C_AD_BITS and ERROR_RATE must be read and evaluated by the controller. Additional data bits and CIB bits, if supplied by the NICAM transmitter, can be obtained by reading the registers ADD_BITS and CIB_BITS.

6.4.1. NICAM Mode Control/Additional Data Bits Register

NICAM operation mode control bits and A[2:0] of the additional data bits.

Format:

MSB		C_AD_BITS 00 23 _{hex}							LSB	
11	...	7	6	5	4	3	2	1	0	
Auto_FM	...	A[2]	A[1]	A[0]	C4	C3	C2	C1	S	

Important: "S" = bit[0] indicates correct NICAM-synchronization (S = 1). If S = 0, the MSP 3417/3457G has not yet synchronized correctly to frame and sequence, or has lost synchronization. The remaining read registers are therefore not valid. The MSP mutes the NICAM output automatically and tries to synchronize again as long as MODE_REG[6] is set.

The operation mode is coded by C4-C1 as shown in Table 6–16.

Table 6–16: NICAM operation modes as defined by the EBU NICAM 728 specification

C4	C3	C2	C1	Operation Mode
0	0	0	0	Stereo sound (NICAMA/B), independent mono sound (FM1)
0	0	0	1	Two independent mono signals (NICAMA, FM1)
0	0	1	0	Three independent mono channels (NICAMA, NICAMB, FM1)
0	0	1	1	Data transmission only; no audio
1	0	0	0	Stereo sound (NICAMA/B), FM1 carries same channel
1	0	0	1	One mono signal (NICAMA). FM1 carries same channel as NICAMA
1	0	1	0	Two independent mono channels (NICAMA, NICAMB). FM1 carries same channel as NICAMA
1	0	1	1	Data transmission only; no audio
x	1	x	x	Unimplemented sound coding option (not yet defined by EBU NICAM 728 specification)

AUTO_FM: monitor bit for the AUTO_FM Status:
0: NICAM source is NICAM
1: NICAM source is FM

Note: It is no longer necessary to read out and evaluate the C_AD_BITS. All evaluation is performed in the MSP and indicated in the STATUS register.

6.4.2. Additional Data Bits Register

Contains the remaining 8 of the 11 additional data bits. The additional data bits are not yet defined by the NICAM 728 system.

Format:

MSB		ADD_BITS 00 38 _{hex}						LSB	
7	6	5	4	3	2	1	0		
A[10]	A[9]	A[8]	A[7]	A[6]	A[5]	A[4]	A[3]		

6.4.3. CIB Bits Register

Cib bits 1 and 2 (see NICAM 728 specifications).

Format:

MSB		CIB_BITS 00 3E _{hex}						LSB	
7	6	5	4	3	2	1	0		
x	x	x	x	x	x	CIB1	CIB2		

6.4.4. NICAM Error Rate Register

ERROR_RATE	00 57_{hex}
Error free	0000 _{hex}
maximum error rate	07FF _{hex}

Average error rate of the NICAM reception in a time interval of 182 ms, which should be close to 0. The initial and maximum value of ERROR_RATE is 2047. This value is also active if the NICAM bit of MODE_REG is not set. Since the value is achieved by filtering, a certain transition time (approx. 0.5 sec) is unavoidable. Acceptable audio may have error rates up to a value of 700 int. Individual evaluation of this value by the controller and an appropriate threshold may define the fallback mode from NICAM to FM/AM-mono in case of poor NICAM reception.

The bit error rate per second (BER) can be calculated by means of the following formula:

$$\text{BER} = \text{ERROR_RATE} * 12.3 * 10^{-6} / \text{s}$$

6.4.5. PLL_CAPS Readback Register

It is possible to read out the actual setting of the PLL_CAPS. In standard applications, this register is not of interest for the customer.

PLL_CAPS	02 1F_{hex} L
minimum frequency	1111 1111 FF _{hex}
nominal frequency	0101 0110 RESET 56 _{hex}
maximum frequency	0000 0000 00 _{hex}
PLL_CAPS	02 1F_{hex} H
PLL open	xxxx xxx0
PLL closed	xxxx xxx1

6.4.6. AGC_GAIN Readback Register

It is possible to read out the actual setting of AGC_GAIN in Automatic Gain Mode. In standard applications, this register is not of interest for the customer.

AGC_GAIN	02 1E_{hex}
max. amplification (20 dB)	0001 0100 14 _{hex}
min. amplification (3 dB)	0000 0000 00 _{hex}

6.4.7. Automatic Search Function for FM-Carrier Detection in Satellite Mode

The AM demodulation ability of the MSP 3417G and MSP 3457G offers the possibility to calculate the “field strength” of the momentarily selected FM carrier, which can be read out by the controller. In SAT receivers, this feature can be used to make automatic FM carrier search possible.

For this, the MSP has to be switched to AM-mode (MODE_REG[8]), FM-Prescale must be set to 7F_{hex} = +127_{dec}, and the FM DC notch (see Section 6.5.7.) must be switched off. The sound-IF frequency range must now be “scanned” in the MSP-channel 2 by means of the programmable quadrature mixer with an appropriate incremental frequency (i.e. 10 kHz). After each incrementation, a field strength value is available at the quasi-peak detector output (quasi-peak detector source must be set to FM), which must be examined for relative maxima by the controller. This results in either continuing search or switching the MSP back to FM demodulation mode.

During the search process, the FIR2 must be loaded with the coefficient set “AUTOSEARCH”, which enables small bandwidth, resulting in appropriate field strength characteristics. The absolute field strength value (can be read out of “quasi peak detector output FM1”) also gives information on whether a main FM carrier or a subcarrier was detected; and as a practical consequence, the FM bandwidth (FIR1/2) and the deemphasis (50 μs or adaptive) can be switched accordingly.

Due to the fact that a constant demodulation frequency offset of a few kHz, leads to a DC level in the demodulated signal, further fine tuning of the found carrier can be achieved by evaluating the “DC Level Readout FM1”. Therefore, the FM DC Notch must be switched on, and the demodulator part must be switched back to FM-demodulation mode.

For a detailed description of the automatic search function, please refer to the corresponding MSP Windows software.

6.5. Manual/Compatibility Mode: Description of DSP Write Registers

6.5.1. Additional Channel Matrix Modes

Loudspeaker Matrix	00 08 _{hex}	L
SCART1 Matrix	00 0A _{hex}	L
Quasi-Peak Detector Matrix	00 0C _{hex}	L
SUM/DIFF	0100 0000	40 _{hex}
AB_XCHANGE	0101 0000	50 _{hex}
PHASE_CHANGE_B	0110 0000	60 _{hex}
PHASE_CHANGE_A	0111 0000	70 _{hex}
A_ONLY	1000 0000	80 _{hex}
B_ONLY	1001 0000	90 _{hex}

This table shows more modes for the channel matrix registers.

The sum/difference mode can be used together with the quasi-peak detector to determine the sound material mode. If the difference signal on channel B (right) is near to zero, and the sum signal on channel A (left) is high, the incoming audio signal is mono. If there is a significant level on the difference signal, the incoming audio is stereo.

6.5.2. Volume Modes of SCART1 Output

Volume Mode SCART1	00 07 _{hex}	[3:0]
linear	0000 RESET	0 _{hex}
logarithmic	0001	1 _{hex}

Linear Mode		
Volume SCART1	00 07 _{hex}	H
OFF	0000 0000 RESET	00 _{hex}
0 dB gain (digital full scale to 2 V _{RMS} output)	0100 0000	40 _{hex}
+6 dB gain (-6 dBFS to 2 V _{RMS} output)	0111 1111	7F _{hex}

6.5.3. FM Fixed Deemphasis

FM Deemphasis	00 0F _{hex}	H
50 μs	0000 0000 RESET	00 _{hex}
75 μs	0000 0001	01 _{hex}
J17	0000 0100	04 _{hex}
OFF	0011 1111	3F _{hex}

Note: This register is initialized during STANDARD SELECTION and is automatically updated when Automatic Sound Select (MODUS[0]=1) is on.

6.5.4. FM Adaptive Deemphasis

FM Adaptive Deemphasis WP1	00 0F _{hex}	L
OFF	0000 0000 RESET	00 _{hex}
WP1	0011 1111	3F _{hex}

Note: This register is initialized during STANDARD SELECTION and is automatically updated when Automatic Sound Select (MODUS[0]=1) is on.

6.5.5. NICAM Deemphasis

A J17 Deemphasis is always applied to the NICAM signal. It is not switchable.

6.5.6. Identification Mode for A2 Stereo Systems

Identification Mode	00 15 _{hex}	L
Standard B/G (German Stereo)	0000 0000 RESET	00 _{hex}
Standard M (Korean Stereo)	0000 0001	01 _{hex}
Reset of Ident-Filter	0011 1111	3F _{hex}

To shorten the response time of the identification algorithm after a program change between two FM-Stereo capable programs, the reset of the ident-filter can be applied.

Sequence:

1. Program change
2. Reset ident-filter
3. Set identification mode back to standard B/G or M
4. Wait approx. 500 ms
5. Read stereo detection register

Note: This register is initialized during STANDARD SELECTION and is automatically updated when Automatic Sound Select (MODUS[0]=1) is on.

6.5.7. FM DC Notch

The DC compensation filter (FM DC Notch) for FM input can be switched off. This is used to speed up the automatic search function (see Section 6.4.7.). In normal FM-mode, the FM DC Notch should be switched on.

FM DC Notch	00 17 _{hex}	L
ON	0000 0000 Reset	00 _{hex}
OFF	0011 1111	3F _{hex}

6.6. Manual/Compatibility Mode: Description of DSP Read Registers

All readable registers are 16-bit wide. Transmissions via I²C bus have to take place in 16-bit words. Some of the defined 16-bit words are divided into low and high byte, thus holding two different control entities.

These registers are not writable.

6.6.1. Stereo Detection Register for A2 Stereo Systems

Stereo Detection Register	00 18 _{hex}	H
MONO	near zero	
STEREO	positive value (ideal reception: 7F _{hex})	
BILINGUAL	negative value (ideal reception: 80 _{hex})	

Note: It is no longer necessary to read out and evaluate the A2 identification level. All evaluation is performed in the MSP and indicated in the STATUS register.

6.6.2. DC Level Register

DC Level Readout FM1 (MSP-Ch2)	00 1B _{hex}	H+L
DC Level Readout FM2 (MSP-Ch1)	00 1C _{hex}	H+L
DC Level	[8000 _{hex} ... 7FFF _{hex}] values are 16 bit two's complement	

The DC level register measures the DC component of the incoming FM signals (FM1 and FM2). This can be used for seek functions in satellite receivers and for IF FM frequencies fine tuning. A too low demodulation frequency (DCO) results in a positive DC-Level and vice versa. For further processing, the DC content of the demodulated FM signals is suppressed. The time constant τ , defining the transition time of the DC Level Register, is approximately 28 ms.

6.7. Demodulator Source Channels in Manual Mode

6.7.1. Terrestrial Sound Standards

Table 6–17 shows the source channel assignment of the demodulated signals in case of manual mode for all terrestrial sound standards. See Table 2–2 for the assignment in the Automatic Sound Select mode. In manual mode for terrestrial sound standards, only two demodulator sources are defined.

6.7.2. SAT Sound Standards

Table 6–18 shows the source channel assignment of the demodulated signals for SAT sound standards.

6.8. Exclusions of Audio Baseband Features

In general, all functions can be switched independently. Two exceptions exist:

1. NICAM cannot be processed simultaneously with the FM2 channel.
2. FM adaptive deemphasis cannot be processed simultaneously with FM-identification.

6.9. Compatibility Restrictions to MSP 34x7D

The MSP 34x7G is fully hardware compatible to the MSP 34x7D. However, to substitute a MSP 34x7D by the corresponding MSP 34x7G, the controller software has to be adapted slightly:

1. The register FM-Matrix (00 0E_{hex} low part) must be changed from “no matrix (00_{hex})” to “sound A mono (03_{hex})” during mono transmission of all TV-sound standards (see also Table 6–17).
2. With the MSP 34x7G, the STANDARD SELECTION initializes the FM-deemphasis, which is not the case for the MSP 34x7D. So, if STANDARD SELECTION is applied, this I²C instruction can be omitted.

Table 6–17: Manual Sound Select Mode for Terrestrial Sound Standards

				Source Channels of Sound Select Block	
Broadcasted Sound Standard	Selected MSP Standard Code	Broadcasted Sound Mode	FM Matrix	FM/AM (use 0 for channel select)	Stereo or A/B (use 1 for channel select)
B/G-FM D/K-FM M-Korea M-Japan	03 04, 05 02 30	MONO	Sound A Mono	Mono	Mono
		STEREO	German Stereo Korean Stereo	Stereo	Stereo
		BILINGUAL, Languages A and B	No Matrix	Left = A Right = B	Left = A Right = B
B/G-NICAM L-NICAM I-NICAM D/K-NICAM D/K-NICAM (with high deviation FM)	08 09 0A 0B 0C 0D	NICAM not available or NICAM error rate too high	Sound A Mono ¹⁾	analog Mono	no sound with AUTO_FM: analog Mono
		MONO	Sound A Mono ¹⁾	analog Mono	NICAM Mono
		STEREO	Sound A Mono ¹⁾	analog Mono	NICAM Stereo
		BILINGUAL, Languages A and B	Sound A Mono ¹⁾	analog Mono	Left = NICAM A Right = NICAM B
BTSC	20	MONO	Sound A Mono	Mono	Mono
		STEREO	Korean Stereo	Stereo	Stereo
		MONO + SAP	Sound A Mono	Mono	Mono
		STEREO + SAP	Korean Stereo	Stereo	Stereo
	21	MONO	Sound A Mono	Mono	Mono
		STEREO			
		MONO + SAP	No Matrix	Left = Mono Right = SAP	Left = Mono Right = SAP
		STEREO + SAP			
FM-Radio	40	MONO	Sound A Mono	Mono	Mono
		STEREO	Korean Stereo	Stereo	Stereo

¹⁾ Automatic refresh to Sound A Mono, do not write any other value to the register FM Matrix!

Table 6–18: Manual Sound Select Modes for SAT-Standards

				Source Channels of Sound Select Block for SAT-Modes			
Broadcasted Sound Standard	Selected MSP Standard Code	Broadcasted Sound Mode	FM Matrix	FM/AM (source select: 0)	Stereo or A/B (source select: 1)	Stereo or A (source select: 3)	Stereo or B (source select: 4)
FM SAT	6, 50 _{hex}	MONO	Sound A Mono	Mono	Mono	Mono	Mono
	51 _{hex}	STEREO	No Matrix	Stereo	Stereo	Stereo	Stereo
		BILINGUAL	No Matrix	Left = A (FM1) Right = B (FM2)	Left = A (FM1) Right = B (FM2)	A (FM1)	B (FM2)

7. Appendix D: Application Information

7.1. Phase Relationship of Analog Outputs

The user does not need to correct output phases when using the loudspeaker output directly. The SCART1 output has opposite phase.

The following schematic shows the phase relationship of all analog inputs and outputs.

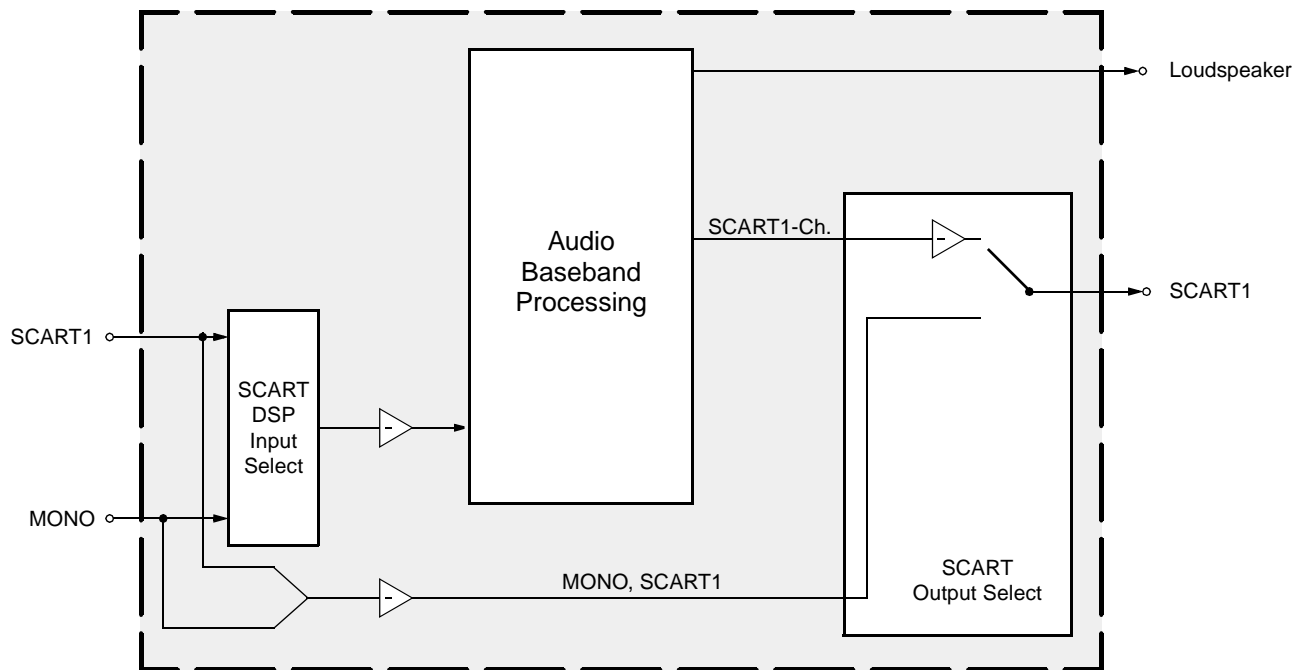
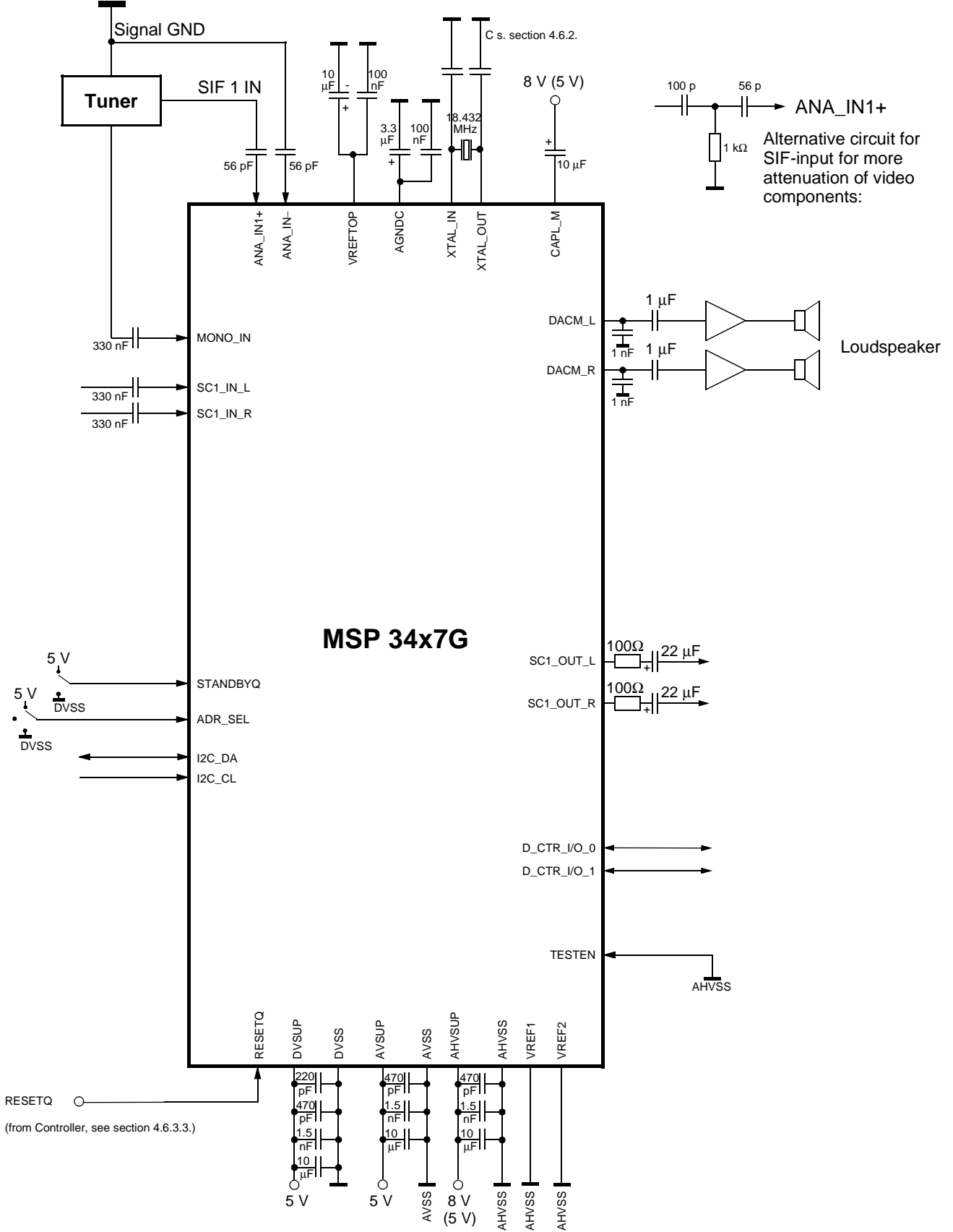


Fig. 7-1: Phase diagram of the MSP 34x7G

7.2. Application Circuit



8. Appendix E: MSP 34x7G Version History

MSP 34x7G-B6

- improved AM-performance (see page 52)
- new D/K standard for Poland (see Table 3–7 on page 18)
- improved I²C hardware problem handling (see Section 3.1.1. on page 14)
- faster system-D/K-loop for stereo detection
- extended features in the CONTROL register (see Section 3.1.2. on page 15)

MSP 34x7G-B8

- fine-tuning of A2-identification and carrier mute
- EIA-J identification: faster transition time stereo/bilingual to mono
- J17 FM-deemphasis implemented
- input specification for RESETQ and TESTEN changed

9. Data Sheet History

1. Preliminary data sheet: “MSP 34x7G Multistandard Sound Processor Family”, Edition Sept. 7, 2000, 6251-535-1PD. First release of the preliminary data sheet.
2. Preliminary data sheet: “MSP 34x7G Multistandard Sound Processor Family”, Jan. 19, 2001, 6251-535-2PD. Second release of the preliminary data sheet. Major changes:
 - I²C-bus description changed
 - ACB register: documentation for bit allocation
D_CTR_I/O changed

Micronas GmbH
Hans-Bunte-Strasse 19
D-79108 Freiburg (Germany)
P.O. Box 840
D-79008 Freiburg (Germany)
Tel. +49-761-517-0
Fax +49-761-517-2174
E-mail: docservice@micronas.com
Internet: www.micronas.com

Printed in Germany
Order No. 6251-535-2PD

All information and data contained in this data sheet are without any commitment, are not to be considered as an offer for conclusion of a contract, nor shall they be construed as to create any liability. Any new issue of this data sheet invalidates previous issues. Product availability and delivery are exclusively subject to our respective order confirmation form; the same applies to orders based on development samples delivered. By this publication, Micronas GmbH does not assume responsibility for patent infringements or other rights of third parties which may result from its use.

Further, Micronas GmbH reserves the right to revise this publication and to make changes to its content, at any time, without obligation to notify any person or entity of such revisions or changes.

No part of this publication may be reproduced, photocopied, stored on a retrieval system, or transmitted without the express written consent of Micronas GmbH.