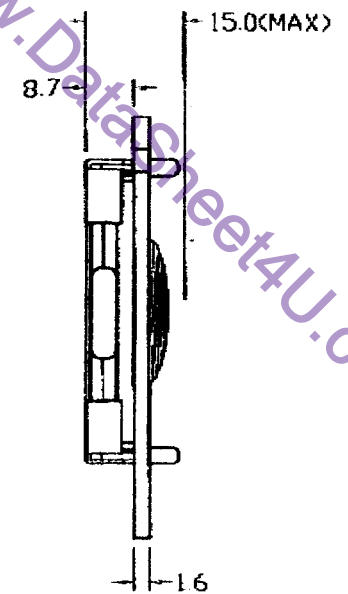
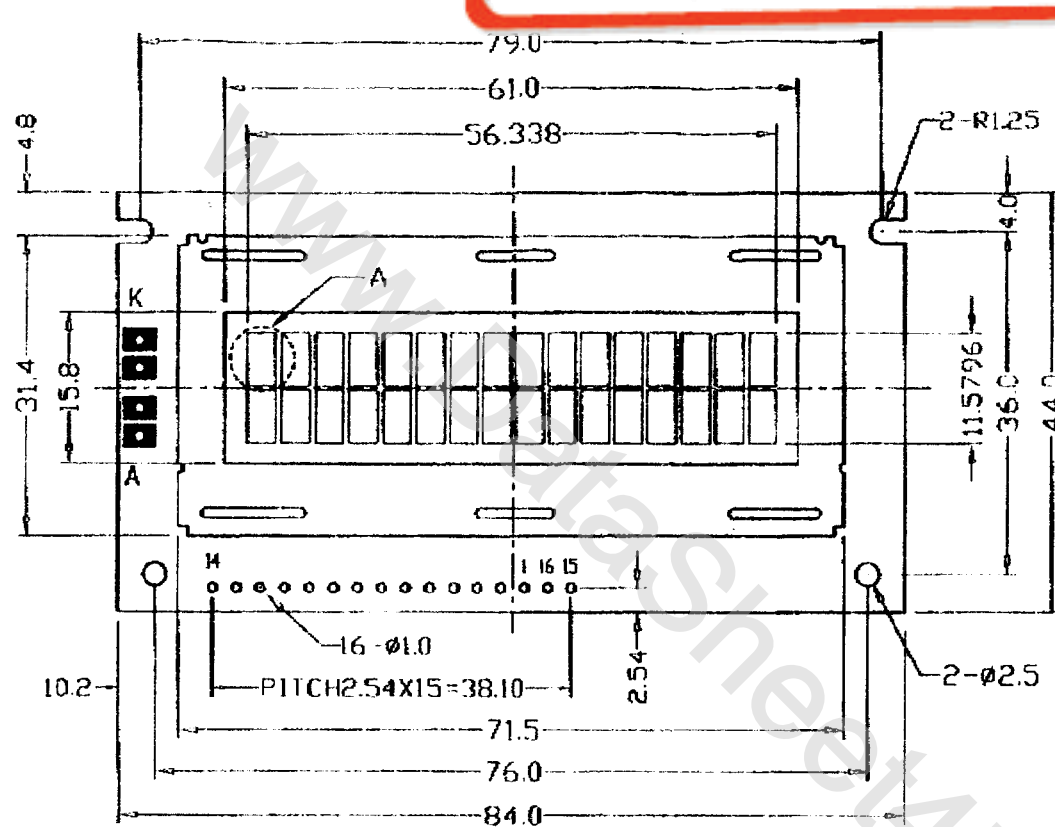


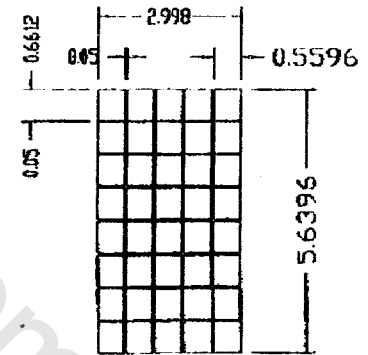
液晶之友 电话: 020-33819057  
 Http://www.lcdfriends.com

www.DataSheet4U.com


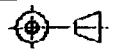


1	2	3	4	5	6	7	8	9	10	11	12	13	14	15	16
Vss	Vcc	Vee	RS	R/W	L	DB0	DB1	DB2	DB3	DB4	DB5	DB6	DB7	A	K

DETAIL: A



- NOTES:
- 1: DISPLAY TYPE: STN/GRAY MODE
  - 2: VIEWING DIRECTION: 12:00
  - 3: POLARIZER MODE: TRANFLECTIVE/POSITIVE
  - 4: DRIVE METHOD: 1/16 DUTY 1/5 BIAS
  - 5: LCD OPERATING VOLTAGE: 4.3V
  - 6: OPERATING TEMP: -20°C~+70°C
  - 7: STORAGE TEMP: -30°C~+80°C
  - 8: BACKLIGHT: LED
  - 9: CONTROLLER: KS0066UP-00CC(S6A0069XD1-C0CX)
  - 10: ALL UNMARKED TOLERANCES: ±0.3mm
  - 11: BEZEL IS TO BE PAINTED BLACK

 <b>TIAN-MA MICROELECTRONICS CO.</b> 6/F., EASTIC Building, Shennan Road, Central, Shenzhen, China		TITLE: TM1621DCWU6 DWG NO: G-1 DWG NAME: TM1621DCWU6-1		 SCALE: UNIT: mm