

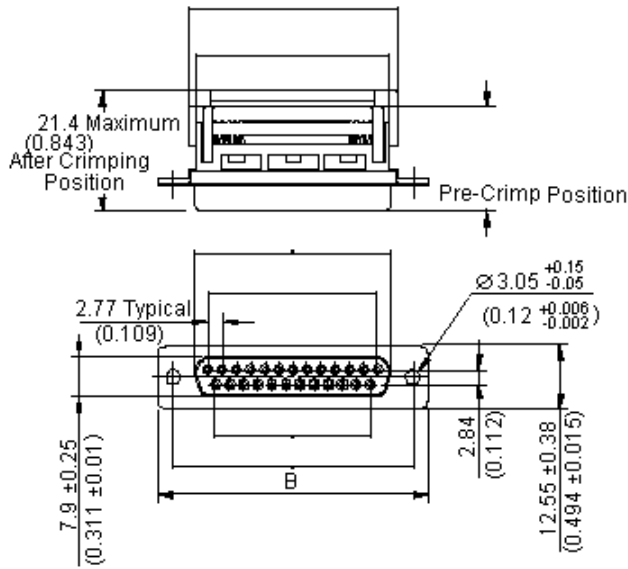


PART NO.

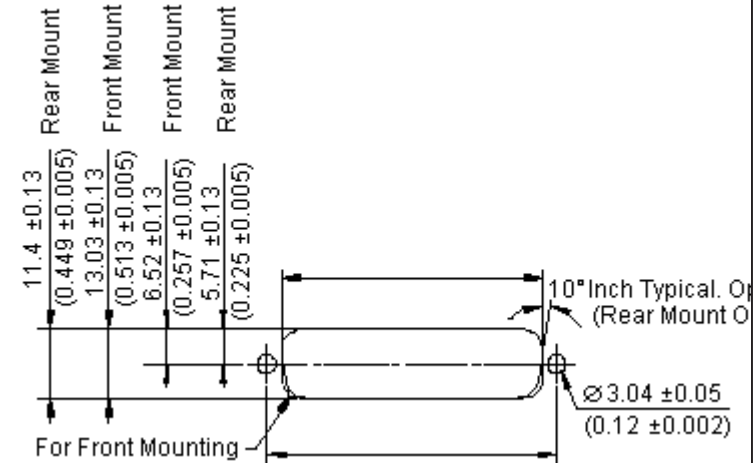
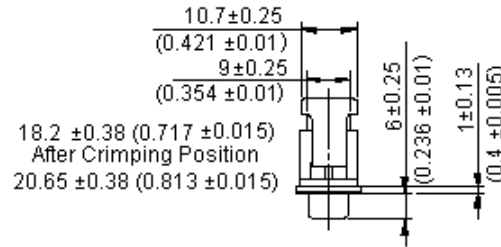
8FSM Series

REVISIONS

ECN #	REV	DESCRIPTION	DRAWN	DATE	CHECKD	DATE	APPRVD	DATE
-	A	RELEASED	Ashok	19/01/12	Jagan	19/01/12	Farnell	02/02/12



Recommended Panel Cut-out Dimensions



Dimensions : Millimetres (Inches)

Specifications:

Current rating	: 1 ampere
Minimum insulation resistance	: ≥1,000 MΩ (at 500 V dc)
Minimum dielectric withstanding voltage	: 500 V ac (for one minute)
Operating temperature	: -55°C to 105°C
Contact resistance	: ≤15 mΩ
Dielectric material	: PBT with glass-fibre reinforced
Colour	: Black, blue and grey (optional)
Contact material	: Phosphor bronze
Contact plating	: Gold over nickel
Wire size	: AWG 26 and 28 stranded, 1.27 mm conductor centre flat cable

Important Notice : This data sheet and its contents (the "Information") belong to the members of the Premier Farnell group of companies (the "Group") or are licensed to it. No licence is granted for the use of it other than for information purposes in connection with the products to which it relates. No licence of any intellectual property rights is granted. The Information is subject to change without notice and replaces all data sheets previously supplied. The Information supplied is believed to be accurate but the Group assumes no responsibility for its accuracy or completeness, any error in or omission from it or for any use made of it. Users of this data sheet should check for themselves the information and the suitability of the products for their purpose and not make any assumptions based on information included or omitted. Liability for loss or damage resulting from any reliance on the Information or use of it (including liability resulting from negligence or where the Group was aware of the possibility of such loss or damage arising) is excluded. This will not operate to limit or restrict the Group's liability for death or personal injury resulting from its negligence. Multicomp is the registered trademark of the Group. © Premier Farnell plc 2012.

TOLERANCES: UNLESS OTHERWISE SPECIFIED, DIMENSIONS ARE FOR REFERENCE PURPOSES ONLY.	DRAWN BY: Ashok	DATE: 19/01/12	DRAWING TITLE: <h3>Metal D Type IDC Connectors - Unthreaded</h3>			
	CHECKED BY: Jagan	DATE: 19/01/12	SIZE A	DWG NO. M10001972	ELECTRONIC FILE 50302_DWG	REV A
	APPROVED BY:	DATE: 02/02/12	SCALE: NTS		U.O.M.: mm (Inches)	SHEET: 1 OF 2