

REV	DESCRIPTION	BY DATE	APPD
B	REVISED PER ECR# 6720	BAS 03/12/01	VBH

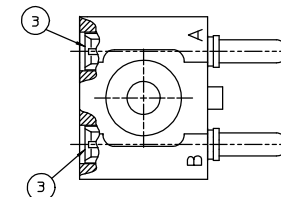
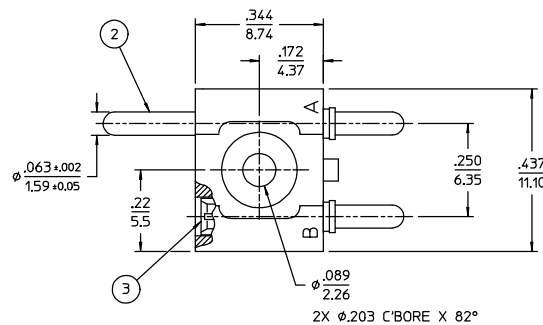
SPECIFICATIONS

MATERIALS

- ① Molding ————— Material: Diallyl Orthophthalate
Color: Gray
- ② Pin contacts ————— Material: Brass
Finish: Gold over Nickel
- ③ Socket Contact Closed Entry ————— Material: Copper Alloy
Finish: Gold over Nickel

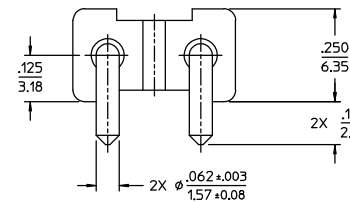
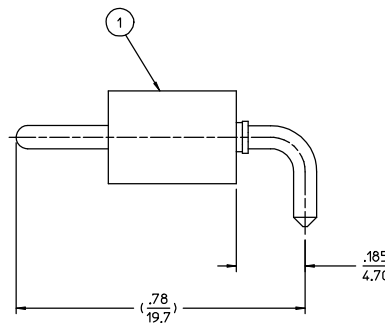
PERFORMANCE CHARACTERISTICS

- Dielectric withstanding voltage (at sea level) — 2925 VAC
- Current rating ————— 13 Amps
- Operating temperature range ————— -55°C to +125°C

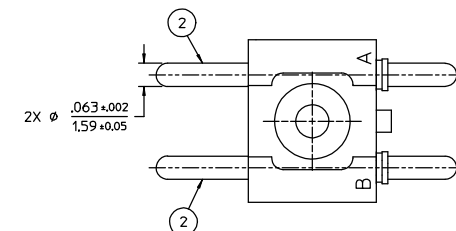
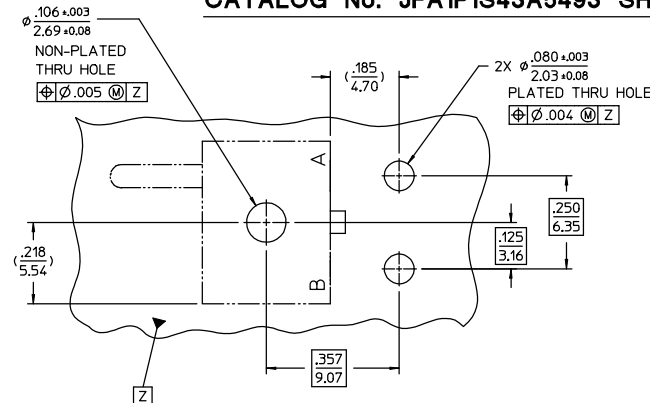


CATALOG No. JFA2S435493 SHOWN

SAME AS JFA1P1S435493 EXCEPT AS SHOWN



CATALOG No. JFA1P1S43A5493 SHOWN



CATALOG No. JFA2P955493 SHOWN

SAME AS JFA1P1S435493 EXCEPT AS SHOWN

RECOMMENDED PC BOARD REQUIREMENTS
(COMPONENT SIDE OF BOARD SHOWN)

PER ASME Y14.5M-1994: UNLESS OTHERWISE SPECIFIED: DIMENSIONS ARE IN INCHES OR INCHES/MM TOLERANCES: MIL DECIMALS .XX ± .02/0.5 .XXX ± .007/0.18 ANGLES ± 2° SCALE: 2:1		Litton	
CUSTOMER DRAWING		Winchester Retconn	
DRAWN M.J.C. 04/06/00		400 Park Road Watertown, Connecticut 06795	
DATE APPROVED W.P.M. 04/07/00		TITLE	
APPROVED V.B.H. 04/07/00		RIGHT ANGLE CONNECTOR JFA SERIES	
DATE APPROVED J.B. 04/07/00		A	
26415		SHT. 1 OF 1	
REV. B		REV. B	