





**Solid State Devices, Inc.**

14701 Firestone Blvd \* La Mirada, CA 90638

Phone: (562) 404-7855 \* Fax: (562) 404-1773

ssdi@ssdi-power.com \* www.ssdi-power.com

**SDR623G  
Thru  
SDR626G**

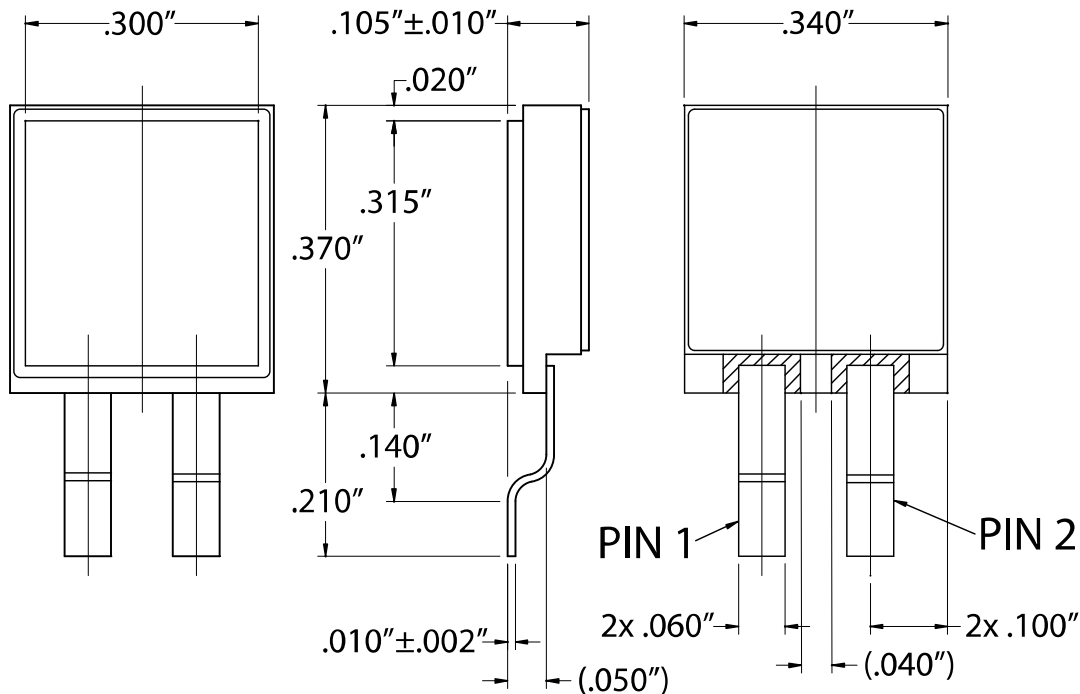
Electrical Characteristics <sup>1/</sup>		Symbol	Max	Units
<b>Instantaneous Forward Voltage Drop</b> ( $I_F = 10\text{Adc}$ , Pulse) ( $I_F = 20\text{Adc}$ , Pulse)	$T_A = 25^\circ\text{C}$	$V_{F1}$	1.40	$V_{DC}$
	$T_A = 25^\circ\text{C}$	$V_{F2}$	1.60	
<b>Instantaneous Forward Voltage Drop</b> ( $I_F = 20\text{Adc}$ , Pulse)	$T_A = -55^\circ\text{C}$	$V_{F3}$	1.70	$V_{DC}$
<b>Reverse Leakage Current</b> (100% of rated $V_R$ , Pulse)	$T_A = 25^\circ\text{C}$	$I_{R1}$	50	$\mu\text{A}$
	$T_A = 100^\circ\text{C}$	$I_{R2}$	5	<b>mA</b>
<b>Reverse Recovery Time</b> ( $I_F = 0.5\text{A}$ , $I_R = 1\text{A}$ , $I_{RR} = 0.25\text{A}$ , $T_A = 25^\circ\text{C}$ )		$t_{RR}$	35	nsec
<b>Junction Capacitance</b> ( $V_R = 10V_{DC}$ , $T_A = 25^\circ\text{C}$ , $f = 1\text{MHz}$ )		$C_J$	150	pF

Notes: <sup>1/</sup> Both Legs Tied Together.

PIN ASSIGNMENT			
PACKAGE	Pin 1	Pin 2	Pin 3 (Case)
CERPACK	Anode	Anode	Cathode

**CERPACK**

**Outline:**



**Tolerances**

Unless Specified-  $.XX \pm .020''$   
 $.XXX \pm .010''$

**NOTE:** All specifications are subject to change without notification. SCD's for these devices should be reviewed by SSDI prior to release.

**DATA SHEET #: RH0053H**

**DOC**