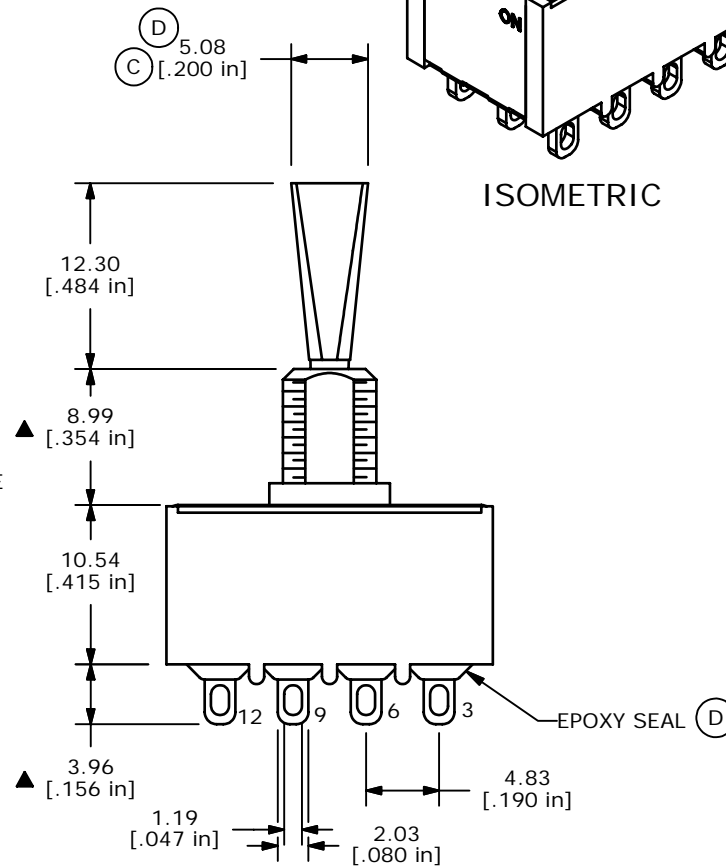
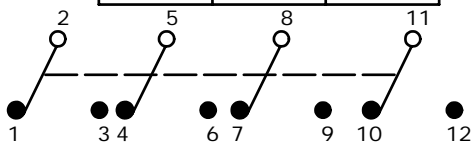


ISOMETRIC



B ▲

SWITCH FUNCTION		
POS. 1	POS. 2	POS. 3
ON	OFF	ON
2-3, 5-6, 8-9, 11-12	OPEN	2-1, 5-4, 8-7, 11-10



CIRCUIT: 4PDT

- NOTE:
1. ALL DIMENSIONS IN MM [INCH]
 2. GENERAL TOLERANCE: X.X=±0.4
X.XX=±0.25
 3. TERMINAL NUMBERS FOR REF ONLY
 - ▲ 4. PLATING MATERIAL: SILVER
 5. RATING: 2A @250VAC
5A @120VAC OR 28 VDC
 6. ELECTRIC LIFE: 40,000 MAKE-AND-BREAK CYCLES AT FULL LOAD.
 7. INSULATION RESISTANCE: 1,000 MEGA-OHM MIN.
 8. DIELECTRIC STRENGTH: 1,000 V RMS @SEA LEVEL.
 9. OPERATING TEMP.: -30°C to 85°C
 10. ▲ DENOTES CRITICAL PARAMETER.

D	15233	CHANGES NOTED WITH (D)	9/1/05	PH
C	15200	CHANGES NOTED WITH (C)	8/25/05	PH
B	14899	CHANGED SWITCH POSITION TEXT	5/9/05	JB
A	14871	RELEASED FOR PRODUCTION	4/20/05	JB
REV	PCR NO	DESCRIPTION	DATE	BY

E-SWITCH®				
TITLE 1004P3T6B15M1QE				
SCALE	DATE	DR	DWG	REV
2:1	4/20/2005	JB	T140000	D

THE INFORMATION CONTAINED IN THIS DOCUMENT IS PROPRIETARY TO E-SWITCH AND IS NOT TO BE COPIED OR TRANSFERRED