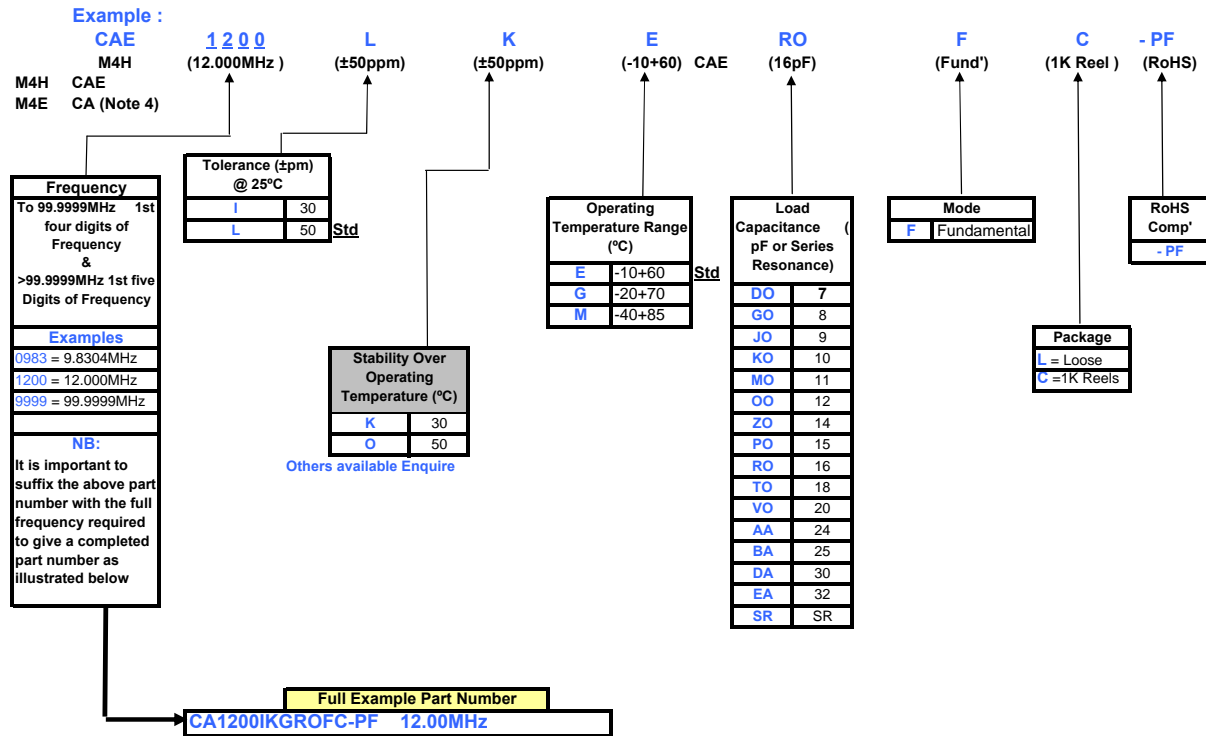


SERIES : ACT86E SMX Part numbering code is CA/ ECA



NOTES :

- 1) Tighter Tolerances and Stabilities and other Operating Temperature Ranges may be available. As each of these specification parameters impact on each other, it is not always possible to combine all options in one device. Therefore, if a specification not catered for above is required, please contact us directly for the relevant part number code(s).
- 2) ACT are always happy to consider truly custom specification parts which may require non-standard specification parameters, specific testing, customer requested AQL requirements, non standard packaging or taping and reeling and custom marking. Such devices would normally be allocated a custom specification part number which is wholly customer specific. This would be MOQ dependent(EG : A 12.00MHz custom ACT86E SMX device may have a part number such as CA1200C- C1122-PF)
- 3) Frequencies below 10.000MHz are prefixed with a "0" (eg: 0900 = 9MHz. Whereas 10.000MHz is 1000)
- 4) NOT FOR NEW BUILD, TO BE DISCONTINUED

ISO9001 Registered

For quotations or further information please contact us at:

3 The Business Centre, Molly Millars Lane, Wokingham, Berkshire, RG41 2EY, United Kingdom
<http://www.actcrystals.com>