

PRODUCT DATASHEET

PART NUMBER: CX6187NL

- Diplexer 8-14/46-1002 MHz
- Impedance = 75 Ohms
- Surge Protection per IEC C62.41 3KV, 120A
- RoHS Compliant

Electrical Specifications @ 25°C

INSERTION LOSS : LOWPASS

8-14 MHz	31-45 MHz	46-1002 MHz							
1.5 dB Max	15 dB Min	45 dB Min							

INSERTION LOSS : HIGHPASS

8-14 MHz	46-500 MHz	500-1002 MHz							
45 dB Min	2.5 dB Max	1.5 dB Max							

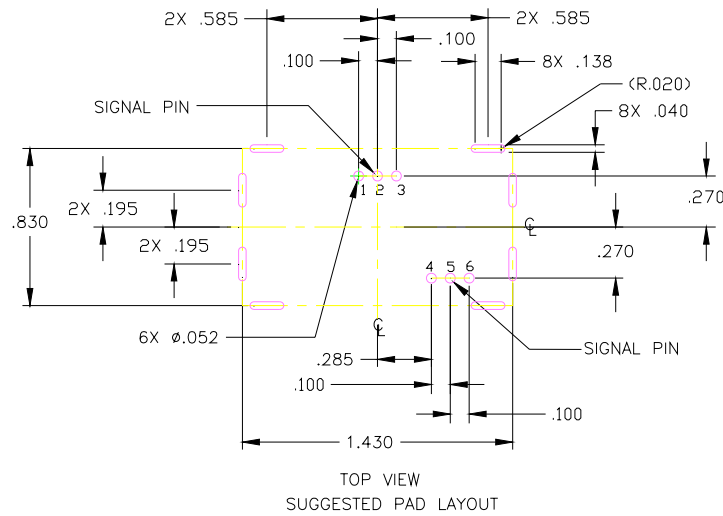
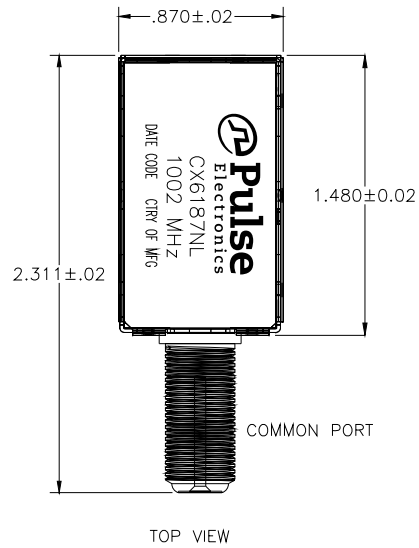
ISOLATION : LOWPASS to HIGHPASS

8-14 MHz	31-45 MHz	46-1002 MHz							
45 dB Min	15 dB Min	45 dB Min							

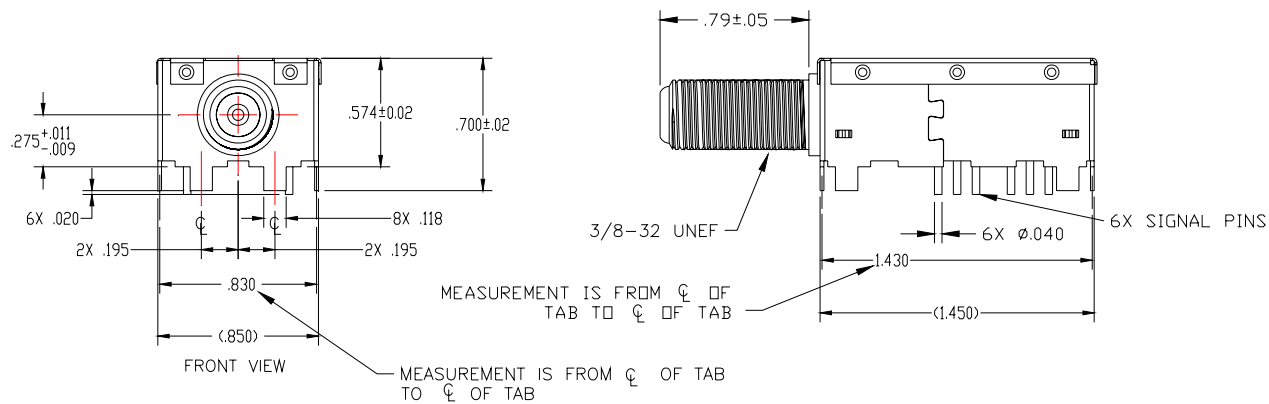
RETURN LOSS:

8-14 MHz	46-300 MHz	301-600 MHz	601-1002 MHz						
14 dB Min	16 dB Min	14 dB Min	15 dB Min						

Mechanical Specifications



DESIGNATIONS	
COMMON PORT (CP)	FC1
HIGHPASS (CATV)	PIN 2
LOWPASS (RETURN PATH)	PIN 5
GROUND (GND)	PINS 1 & 3
GROUND (GND)	PINS 4 & 6



HOUSING SPECIFICATIONS:
 BODY - SPTE
 CONNECTOR - F TYPE, FEMALE

DIMENSIONS	INCH
TOLERANCES	.XX +/- .01
	.XXX +/- .005