



MHV Female Connector Clamp/Solder Attachment For RG213, RG214, RG8, RG9, RG11, RG225, RG393

TECHNICAL DATA SHEET

PE4373

MHV Female Connector Clamp/Solder Attachment For RG213, RG214, RG8, RG9, RG11, RG225, RG393

Configuration

| | |
|--|--|
| Connector | MHV Female |
| Connector Specification | MIL-C-39012 |
| Connector Interface Type | RG213, RG214, RG8, RG9, RG11, RG225, RG393 |
| Cable Attachment Method (Shield/Contact) | Clamp/Solder |
| Body Style | Straight |

Electrical Specifications

| | |
|-----------------|----|
| Impedance, Ohms | 50 |
|-----------------|----|

Mechanical Specifications

Temperature

| | |
|------------------------|-------------|
| Operating Range, deg C | -65 to +165 |
|------------------------|-------------|

Size

| | |
|---------------------|---------------|
| Length, in [mm] | 1.53 [38.86] |
| Width/Dia., in [mm] | 0.75 [19.05] |
| Weight, lbs [g] | 0.082 [37.19] |

Connector

| | |
|-------------------------------|---------------|
| Type | MHV Female |
| Contact Material and Plating | Silver |
| Contact Plating Specification | QQ-S-365 |
| Body Material and Plating | Brass, Nickel |
| Dielectric Type | Teflon |

Compliance Certifications (visit www.Pasternack.com for current document)

| | |
|----------------|-----|
| RoHS Compliant | Yes |
|----------------|-----|

Click the following link (or enter part number in "SEARCH" on website) to obtain additional part information including price, inventory and certifications: [MHV Female Connector Clamp/Solder Attachment For RG213, RG214, RG8, RG9, RG11, RG225, RG393 PE4373](#)

The information contained in this document is accurate to the best of our knowledge and representative of the part described herein. It may be necessary to make modifications to the part and/or the documentation of the part, in order to implement improvements. Pasternack reserves the right to make such changes as required. Unless otherwise stated, all specifications are nominal.



MHV Female Connector Clamp/Solder Attachment For
RG213, RG214, RG8, RG9, RG11, RG225, RG393

TECHNICAL DATA SHEET

PE4373

Plotted and Other Data

Notes:

Values at 25 °C, sea level

MHV Female Connector Clamp/Solder Attachment For RG213, RG214, RG8, RG9, RG11, RG225, RG393 from Pasternack Enterprises has same day shipment for domestic and International orders. Our RF, microwave and fiber optic products maintain a 99% availability and are part of the broadest selection in the industry.

Click the following link (or enter part number in "SEARCH" on website) to obtain additional part information including price, inventory and certifications: [MHV Female Connector Clamp/Solder Attachment For RG213, RG214, RG8, RG9, RG11, RG225, RG393 PE4373](http://www.pasternack.com/mhv-female-standard-rg213-rg214-rg8-rg9-rg11-rg225-rg393-connector-pe4373-p.aspx)

URL: <http://www.pasternack.com/mhv-female-standard-rg213-rg214-rg8-rg9-rg11-rg225-rg393-connector-pe4373-p.aspx>

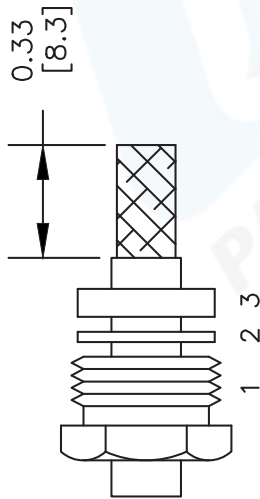
The information contained in this document is accurate to the best of our knowledge and representative of the part described herein. It may be necessary to make modifications to the part and/or the documentation of the part, in order to implement improvements. Pasternack reserves the right to make such changes as required. Unless otherwise stated, all specifications are nominal.

PE4373 CAD Drawing

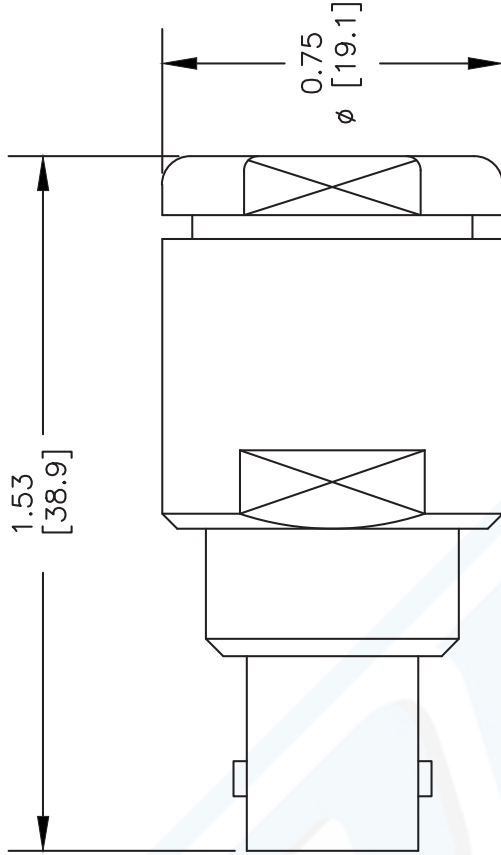
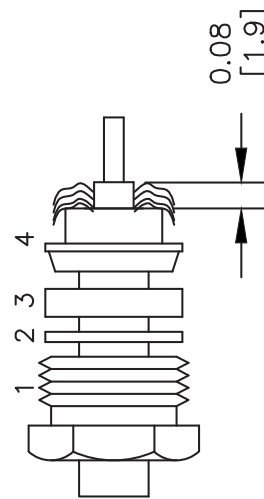
MHV Female Connector Clamp/Solder Attachment For RG213,
RG214, RG8, RG9, RG11, RG225, RG393

ASSEMBLY PROCEDURES

1. SLIDE CLAMP NUT (1), WASHER (2) & GASKET (3) OVER CABLE. STRIP CABLE AS SHOWN. DO NOT NICK BRAID WHILE CUTTING JACKET. TAPER END OF BRAID TO PERMIT ASSEMBLY OF BRAID CLAMP (4). SLIDE BRAID CLAMP (4) OVER BRAID & SEAT AGAINST CABLE.



2. FORM BRAID OVER CLAMP NUT (4). TRIM BRAID BACK TO SHOULDER. CUT DIELECTRIC & CENTER CONDUCTOR TO DIMENSION SHOWN. DO NOT NICK CENTER CONDUCTOR. SOLDER CONTACT TO CENTER CONDUCTOR. REMOVE EXCESS SOLDER. DO NOT OVER HEAT DIELECTRIC. INSERT CABLE ASSEMBLY INTO BODY & TIGHTEN.



DWG TITLE

PE4373

NOTES:
1. UNLESS OTHERWISE SPECIFIED ALL DIMENSIONS ARE NOMINAL.
2. ALL SPECIFICATIONS ARE SUBJECT TO CHANGE WITHOUT NOTICE AT ANY TIME.
3. DIMENSIONS ARE IN INCHES [mm].
4. FITS MIL-C-17 AND EQUIVALENT CABLES.

REV. -

FSCM NO. 53919

CAD FILE 051002

SCALE N/A

SIZE A

2233

PE PASTERNAK
Pasternack Enterprises, Inc.

P.O. Box 16759 | Irvine | CA | 92623

Phone: (949) 261-1920 | Fax: (949) 261-7451

Website: www.pasternack.com | E-Mail: sales@pasternack.com