

Feature:

- Water clear lens
- Package in bulk pack (Available in tape and reel)
- Super bright 5mm round lamp
- InGaN technology for IB/IG/IW
- AllnGaP technology for R/Y
- 30° viewing angle

Description:

These super bright 5mm round type lamps with 8.6mm lens height are suitable for all applications requiring higher brightness.

Application:

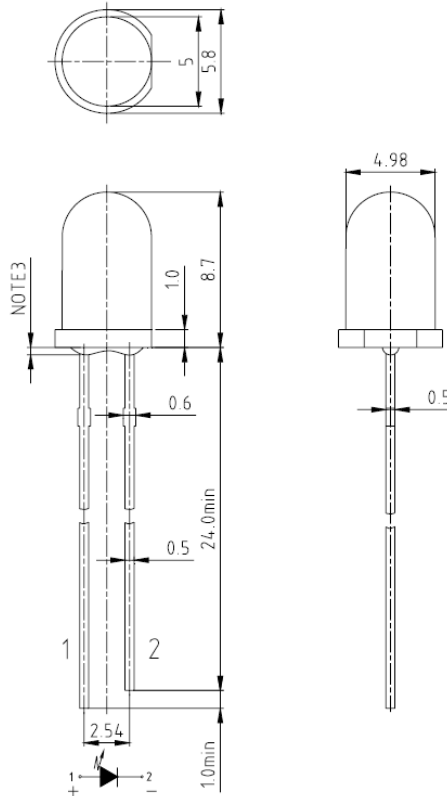
- General purpose indicator application
- Electronic signs and electronics board
- LED lighting

Certification & Compliance:

- TS16949
- ISO9001
- RoHS Compliant



Dimension:



Units: mm / tolerance = +/-0.25mm

Electrical / Optical Characteristic

(T=25 °C)

| Product | Color | I _F (mA) | V _F (V) | | λ _D (nm) | | I _V (mcd) | |
|-----------|--------|---------------------|--------------------|------|---------------------|------|----------------------|-------|
| | | | Typ. | Max. | Min. | Max. | Min. | Typ. |
| QBL8IB30C | Blue | 20 | 3.2 | 3.8 | 462 | 472 | 2200 | 3700 |
| QBL8IW30C | White | 20 | 3.2 | 3.8 | X=0.285 Y=0.271 | -- | 6300 | 12000 |
| QBL8IG30C | Green | 20 | 3.2 | 3.8 | 520 | 530 | 4900 | 8600 |
| QBL8R30C | Red | 20 | 2.0 | 2.6 | 620 | 630 | 1700 | 3000 |
| QBL8Y30C | Yellow | 20 | 2.0 | 2.6 | 585 | 597 | 2200 | 4100 |

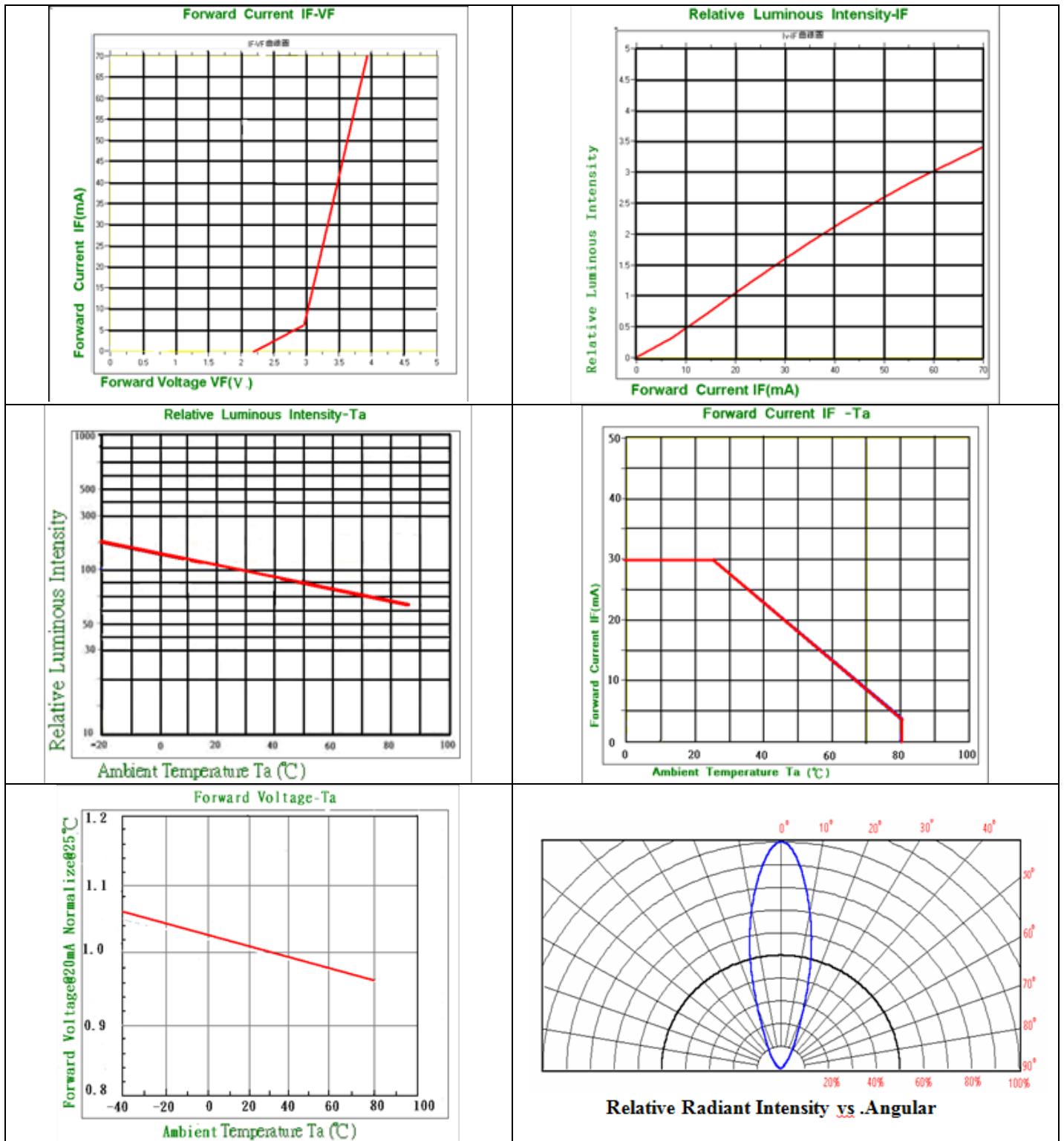
Absolute Maximum Rating

| Material | P _d (mW) | I _F (mA) | I _{FP} * (mA) | V _R (V) | T _{OP} (°C) | T _{ST} (°C) |
|------------------|---------------------|---------------------|------------------------|--------------------|----------------------|----------------------|
| InGaN (IB/IW/IG) | 110 | 30 | 100 | 5 | -30 to + 80 | -40 to +100 |
| AllnGaP (R/Y) | 80 | 30 | 100 | 5 | -30 to + 80 | -40 to +100 |

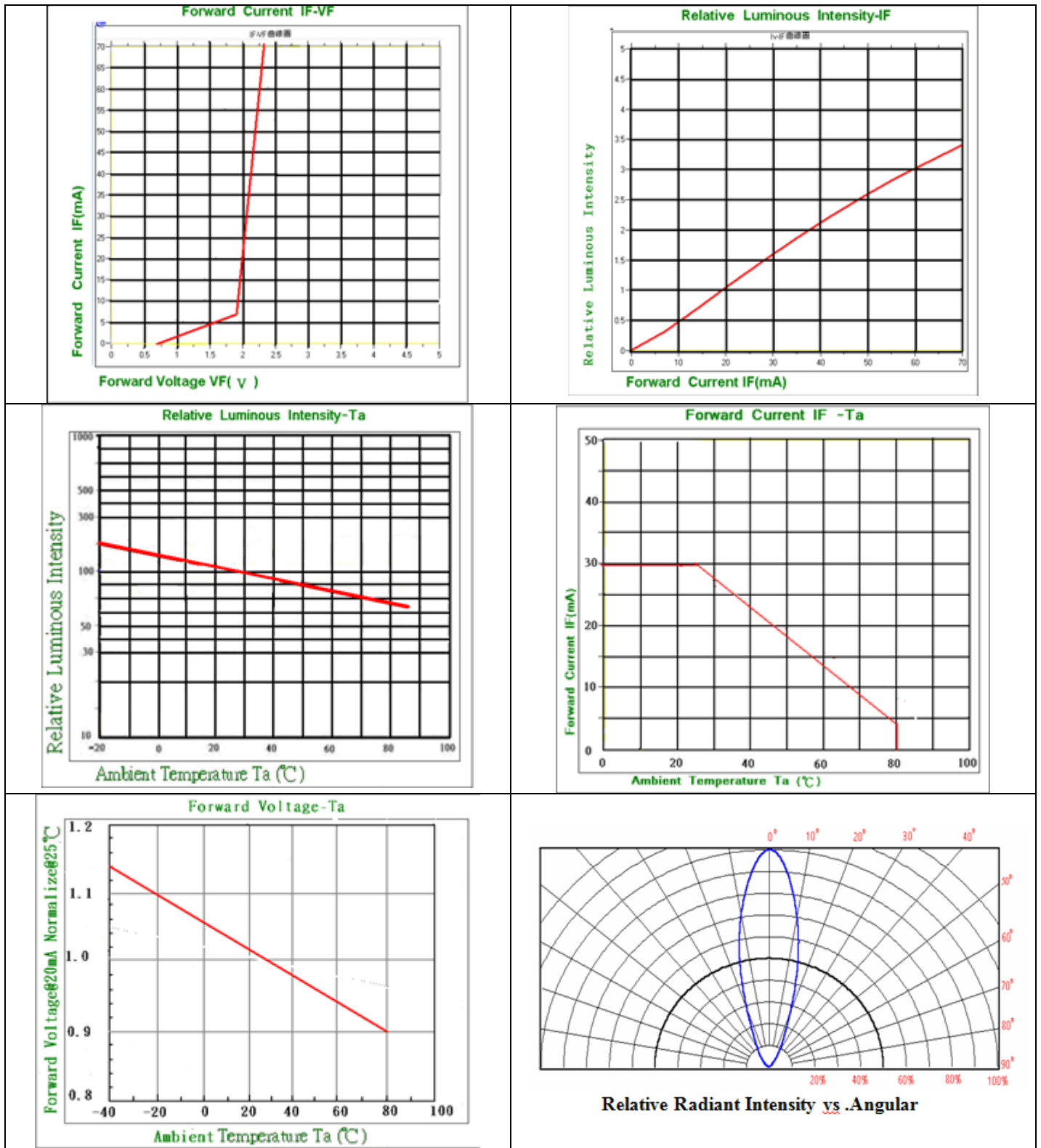
*Duty 1/10 @ 1KHz

** Wave Soldering for no more than 5 sec @ 260 °C

Characteristic Curves: (InGaN)



Characteristic Curves: (AlInGaP)



Ordering Information:

| Part # | Orderable Part # | Spec Range | Quantity per bag |
|-----------|------------------|---|------------------|
| QBL8IB30C | QBL8IB30C | I _v = 3700mcd typ., λ _D = 470nm | TBD |
| QBL8IW30C | QBL8IW30C | I _v = 12000mcd typ., (X= 0.318, Y = 0.332) | TBD |
| QBL8IG30C | QBL8IG30C | I _v = 8600mcd typ., λ _D = 525nm | TBD |
| QBL8R30C | QBL8R30C | I _v = 3000mcd typ., λ _D = 625nm | TBD |
| QBL8Y30C | QBL8Y30C | I _v = 4100mcd typ., λ _D = 590nm | TBD |

Revision History:

| Description: | Revision # | Revision Date |
|---------------------------------|------------|---------------|
| New Release of QBL8XX30C_series | V1.0 | 06/25/2011 |
| | | |
| | | |
| | | |
| | | |