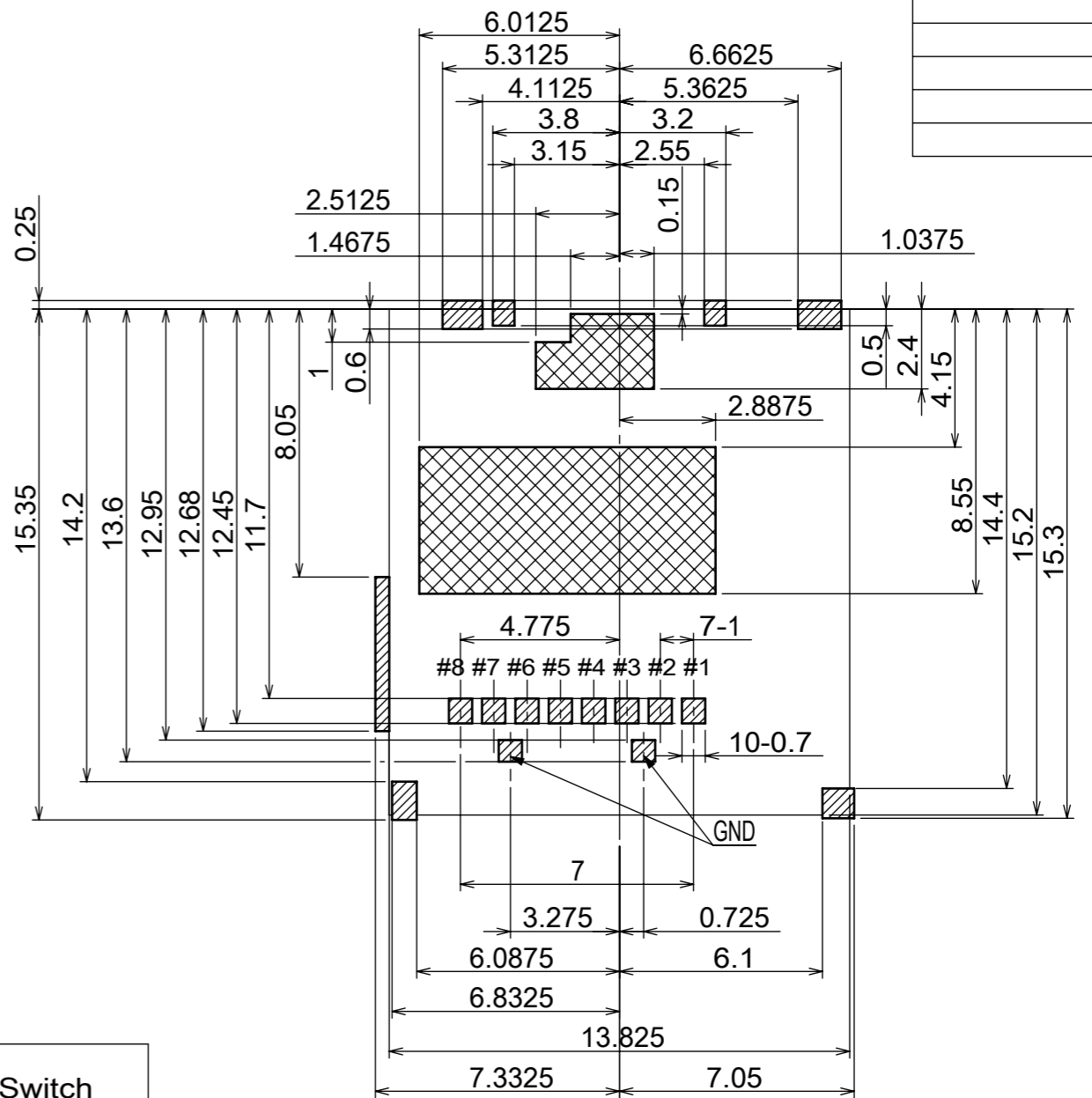
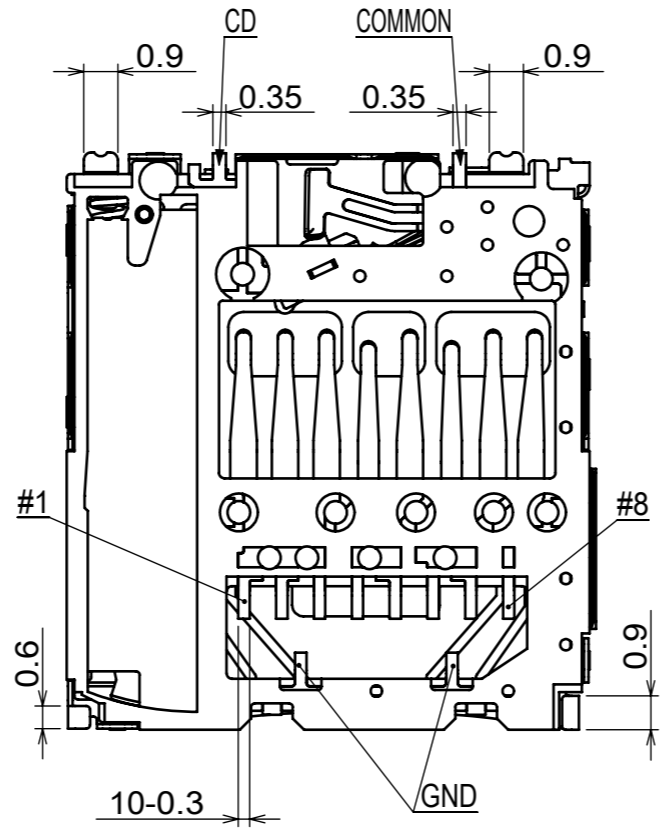
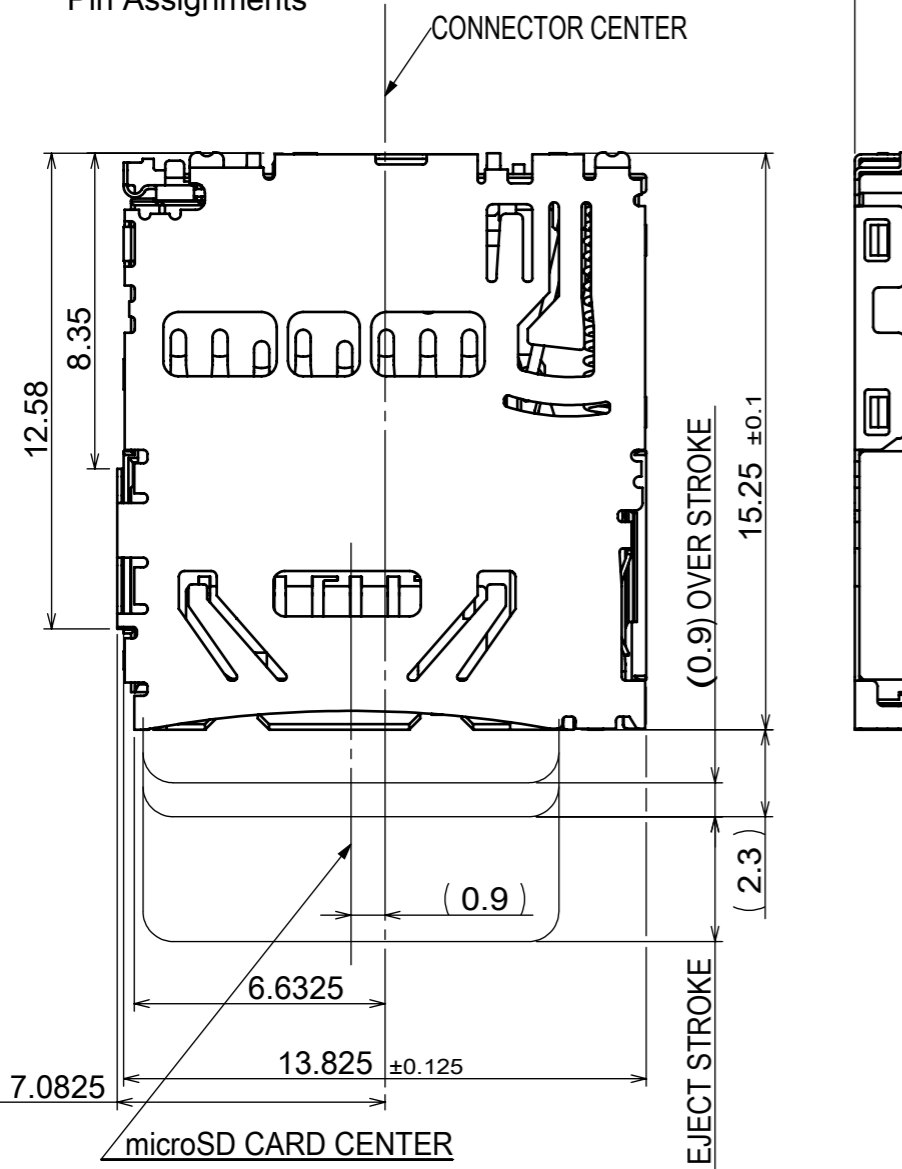


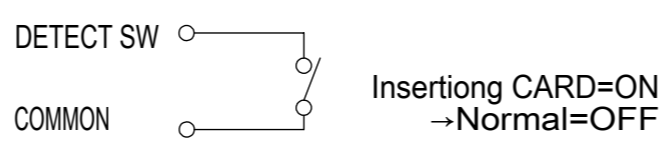
PIN	SD Mode
#1	DAT2
#2	DAT3/CD
#3	CMD
#4	V _{DD}
#5	CLK
#6	V _{SS}
#7	DAT0
#8	DAT1

Pin Assignments

背景
BACK GROUND
SCHA4B0415



Circuit Diagram for Detect Switch



- PATTERN AREA
- NO PATTERN EXPOSED AREA
- NO PATTERN AREA

RECOMMENDED P.C.BOARD LAYOUT
TOLERANCES UNLESS OTHERWISE SPEC. ±0.05



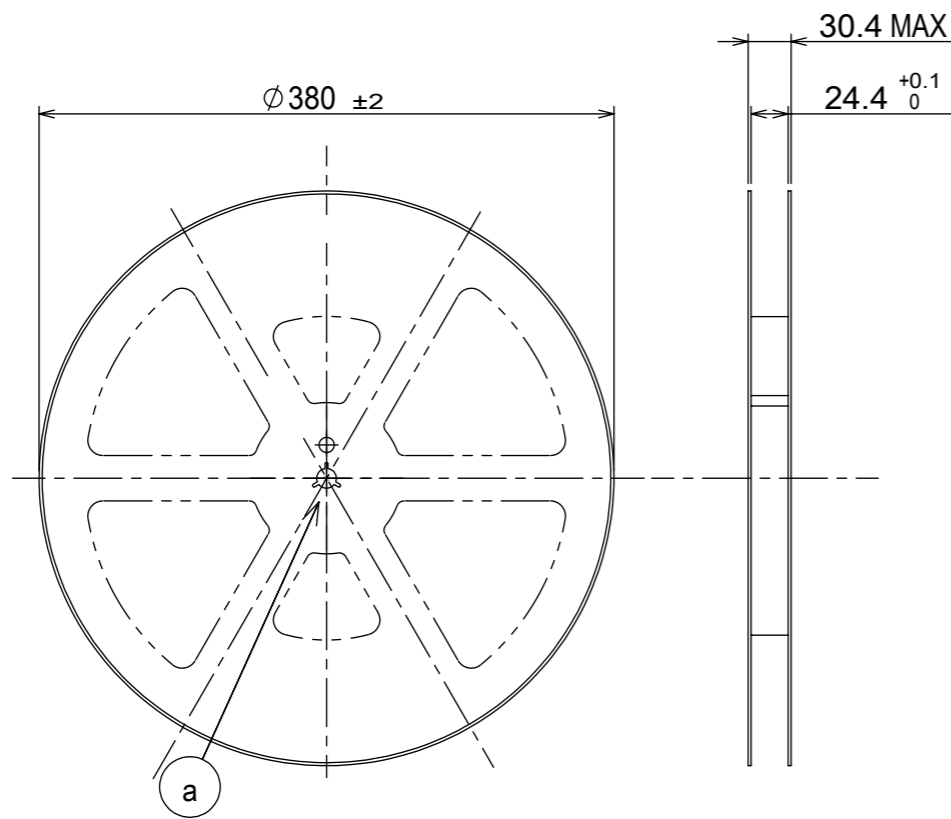
VIEW A VIEW B

2.All terminal coplanarity : 0.1mm max.(INITIAL)
NOTE 1.This connector is standard mount type.

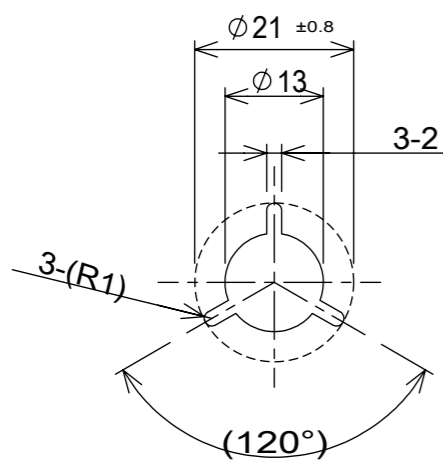
TOLERANCES UNLESS OTHERWISE SPEC		SYMB	DATE	APPD	CHKD	DSGD
BASIC DIMENSIONS	TOLERANCES					
UP TO 10	±0.3					
ABOVE 10 TO 100	±0.5					
ABOVE 100	±0.8					
ANGULAR DIMENSION	±5°					

ALPS ELECTRIC CO., LTD.			
DSGD. 13.Nov.2012 K.Yamazaki	SCALE	NO. SCHA4B0415	
CHKD. 13.Nov.2012 M.Aita		TITLE PRODUCT DRAWING (1/2)	
APPD. 13.Nov.2012 M.Aita	UNIT mm	DOCUMENT NO. SCHA4B0415,AE12,00	

REEL CORE(1:5)

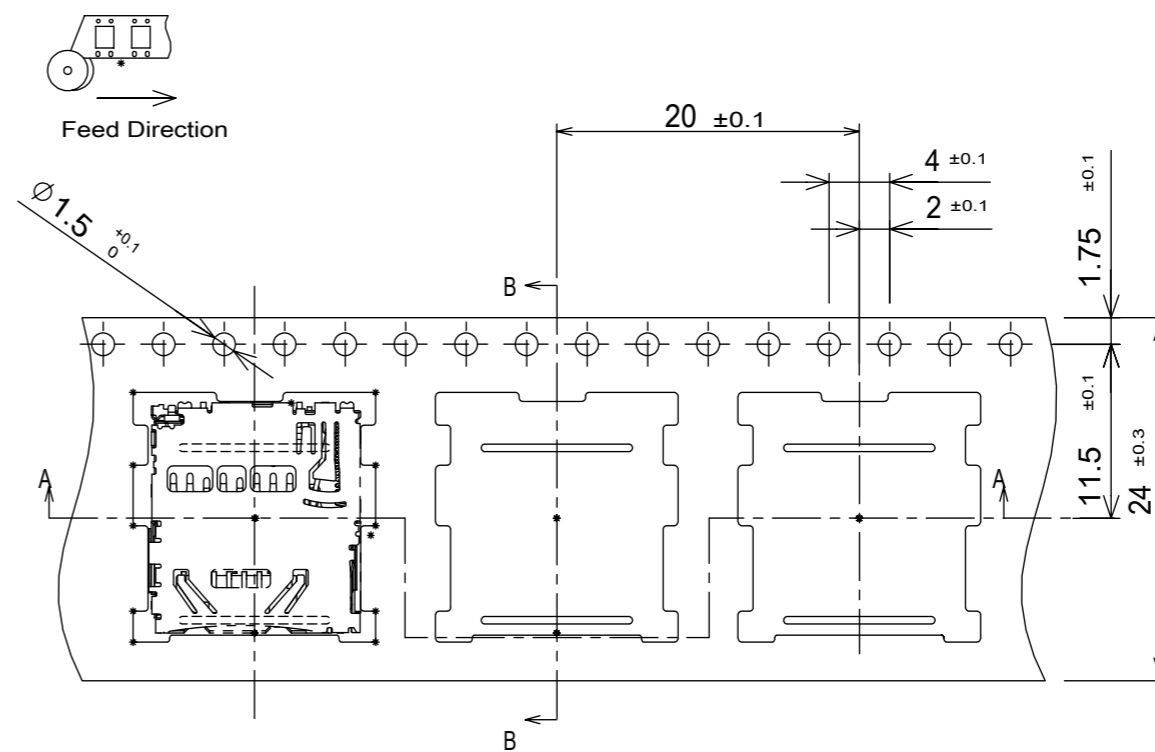


DETAIL a (1:1)

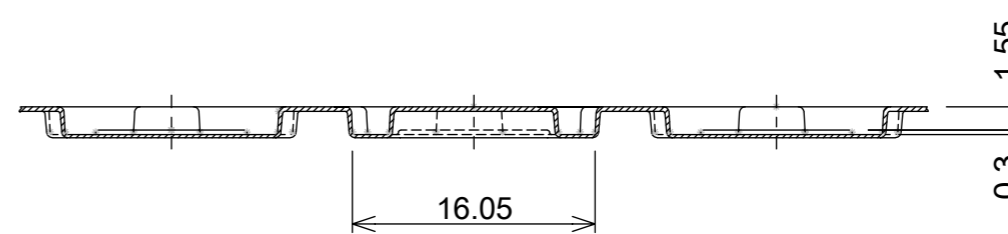
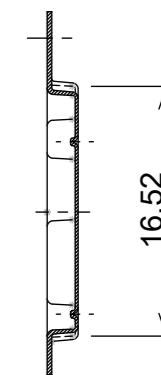


2. 2000pcs/reel
 1. SPECIFICATION OF TAPING:TAPE-S-029
 NOTE

CARRIE TAPE(2:1)



SECT B-B



SECT A-A

ALPS ELECTRIC CO., LTD.

TOLERANCES UNLESS OTHERWISE SPEC		SYMB	DATE	APPD	CHKD	DSGD
BASIC DIMENSIONS	TOLERANCES					
UP TO 10	±0.3					
ABOVE 10 TO 100	±0.5					
ABOVE 100	±0.8					
ANGULAR DIMENSION	±5°					

DSGD.	13.Nov.2012 K.Yamazaki	SCALE	NO.	SCHA4B0415
CHKD.	13.Nov.2012 M.Aita		TITLE	TAPING PRODUCT DRAWING (2/2)
APPD.	13.Nov.2012 M.Aita	UNIT	DOCUMENT NO.	SCHA4B0415,AE22,00
		mm		