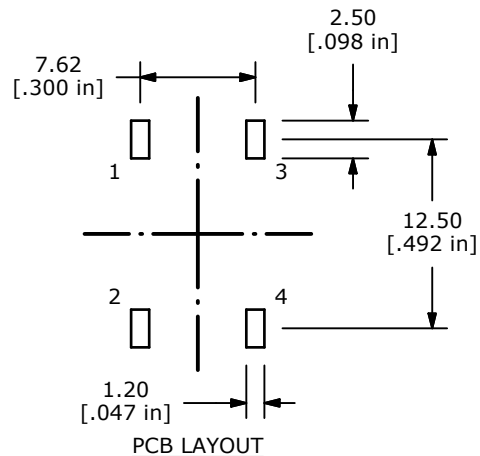
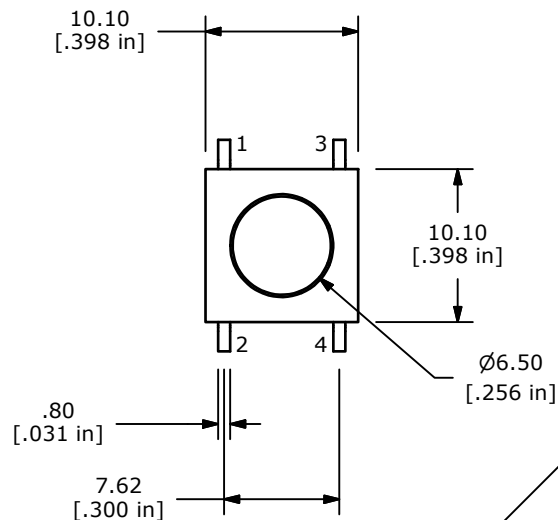
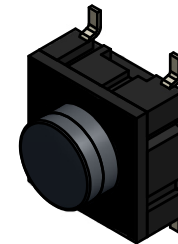


▲ CIRCUIT: SPST

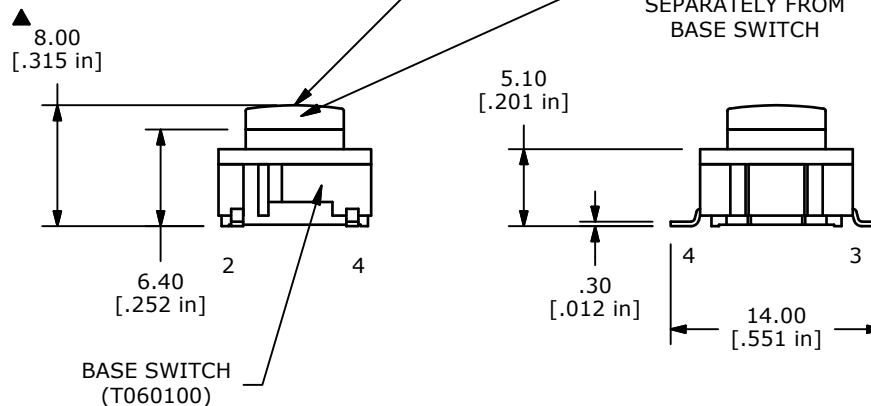


PCB LAYOUT



▲ BLACK ACTUATOR (T061000)

▲ ACTUATOR PORTION (T061000) TO BE SHIPPED SEPARATELY FROM BASE SWITCH



BASE SWITCH (T060100)

NOTES:

1. ALL DIMENSIONS IN MM [INCH]
2. GENERAL TOLERANCE: x.x = ± 0.4
x.xx = ± 0.25
3. TERM. NOS. FOR REF ONLY
4. RATING: 50 MILLI-AMPS @24VDC
5. TRAVEL: 1.0 +/-0.5mm
6. CONTACT RESISTANCE: 30 MILLIOHMS MAX
7. INSULATION RESISTANCE: 10M OHMS MIN. AT 100VDC
8. DIELECTRIC STRENGTH: 250VAC FOR 1 MINUTE
- ▲ 9. OPERATING FORCE: 300 ± 75 GF
10. PACKAGING: TAPE AND REEL, 650 PIECES PER REEL
11. LIFE CYCLES: 10,000,000 ACTUATIONS
12. ▲ DENOTES CRITICAL PARAMETER
13. 2002/95/EC (ROHS) COMPLIANT
14. ACTUATOR PORTION (T061000) TO BE SHIPPED IN BAGS SEPARATELY FROM THE BASE SWITCH (T060100) AND TO BE ASSEMBLED AFTER SOLDERING.



TITLE TL6200BBF300QG

B	21031	CHANGED/ADDED BOM	2/12/13	rc
A	20968	New Release	1/14/13	rc
REV	PCR NO	DESCRIPTION	DATE	BY

THE INFORMATION CONTAINED IN THIS DOCUMENT IS PROPRIETARY TO E-SWITCH AND IS NOT TO BE COPIED OR TRANSFERRED

SCALE 2:1	DATE 1/7/2013	DR rc	DWG T060002	REV B
--------------	------------------	----------	----------------	----------