

1

2

3

4

5

6

7

A

A

B

B

C

C

D

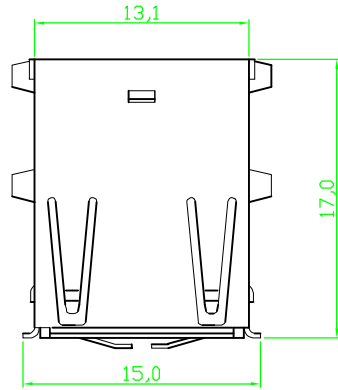
D

E

E

F

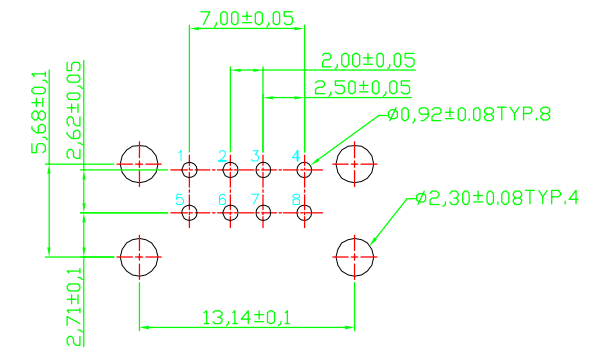
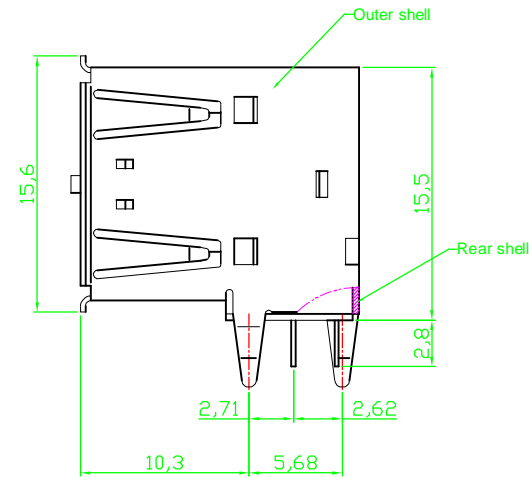
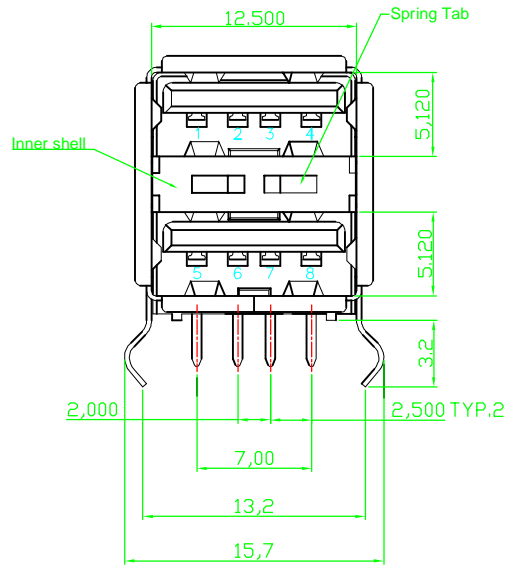
F



NOTES:

- 1. Insulation: Glass Filled polyester UL94V-0, Color Black
- 2. Contact : Phosphor Bronze
- 3. Outer & Inner shell : Brass
- 4. Plating : Selective Gold Flash over 50µ" Nickel
- 5. Shell Plating: 80µ" Nickel over 100µ" Cu
- 6. Rear Shell: Steel with Nickel plated

PIN assignment	
USB pin out	USB pin in
1	VCC
2	D-
3	D+
4	GND



Recommended PCB Layout

RoHS compliant

Scale	1:1					Date	Name	Customer-No.
TOLERANCE						Drawn	30.05.2007	Hellwig
.X	±0.30					Approved	07.07.2009	Hellwig
.XX	±0.20							
.XXX	±0.10	③	Modify insulator color to black	07.07.2009	Dean			
DIM	TOL	②	Re-draw	06.08.2008	Hellwig			
X.°	±1°							
Angle	TOL	①	Drawn	30.05.2007	Hellwig			
UNIT	mm	Id.	Modification	Date	Name			

ASSMANN WSW-No.		A-USB A-2P-C
Drawing-No.		
ASS 1360A CO	rev04	
Replace	SHEET	

1

2

3

4

5

6

7

H

H