

# SBC



## ISA-391LF

ISA VIA Nano/Eden ULV  
CPU Card w/VGA/SATA/  
CF/LAN

### Features :

- Support VIA Nano 1.3G/Eden ULV 500MHz Support FSB 800/667/533 MHz
- Memory Support DDR2 SO-DIMM 400/533/667 MHz SDRAM up to 2GB
- Support one 10/100M Ethernet Optional Giga Ethernet
- Expansion Slot for one PC/104 slot



### Protech Systems Co., Ltd.

No. 24, Lane 365, Yang Goang Street, Nei Hu District Taipei 114, Taiwan  
TEL: +886-2-8751-1111 FAX: +886-2-8751-1199  
E-mail: [sales@protech.com.tw](mailto:sales@protech.com.tw)  
<http://www.protech.com.tw>

### Protech Technologies Inc.

950 Fee Ana St, Suite B Placentia, CA 92870  
TEL: +1-714- 996-7200 FAX: +1-714- 996-7300  
Sales: [sales@protech-usa.net](mailto:sales@protech-usa.net)  
<http://www.protech-usa.net>

### Protech Japan Co., Ltd.

OSK Bldg, 6F, 6-25-14, Minami-ohi Shinagawa-ku, Tokyo, 140-0013  
TEL: +81-3-5753-8411 FAX: +81-3-3763-9282  
E-mail: [sam@protech-j.com](mailto:sam@protech-j.com)  
<http://www.protech-j.com>

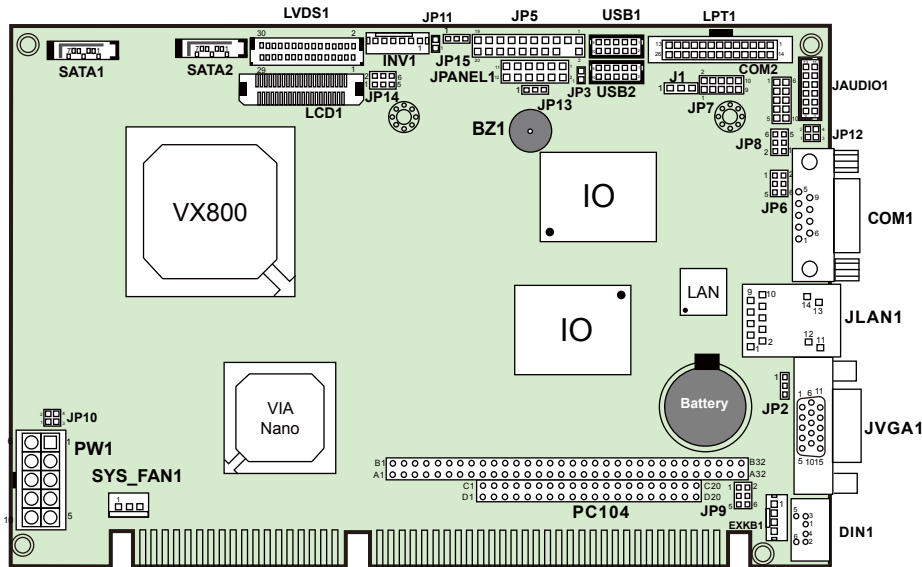


ISO CERTIFIED

9001 14001

# ISA-391LF

ISA VIA Nano/Eden ULV CPU Card w/VGA/SATA/CF/LAN



Specifications	
System	
<b>CPU Support</b>	VIA Nano 1.3G/Eden ULV 500MHz
<b>CPU Frequency</b>	Nano 1.3G/Eden ULV 500MHz
<b>Chipset</b>	VIA VX800
<b>DRAM</b>	1 x 200Pin DDR2 SO-DIMM to support 400/533/667MHz up to 2GB
<b>BIOS</b>	AMI BIOS
<b>Watchdog</b>	1~255 secs Watchdog timer selectable
<b>Power Supply</b>	Support AT/ATX power
<b>Power Requirement</b>	+5V, +12V
<b>Power Consumption</b>	+5V : 9.66A /+12V : 1.67A (Nano1.3G)
<b>Dimension</b>	185 mm x 122 mm (7.28" x 4.8")
<b>Certificate</b>	FCC / CE

I/O Chipset	
<b>SATA Interface</b>	2 x S-ATA II connector
<b>SSD</b>	1 x Compact flash (IDE)
<b>Expansion BUS</b>	1 x PC/104 slot
<b>Serial Port</b>	2 x COM port, COM 1 for RS-232, COM 2 for RS-232/422/485 1 x LPC pin-header onboard
<b>Parallel Port</b>	1 x Parallel port (SPP / EPP / ECP)
<b>Keyboard</b>	PS/2 connector, with mini DIN connector
<b>Mouse</b>	PS/2 connector, with mini DIN connector

<b>LAN</b>	Realtek 8103E 10/100Mbps, support Wake-on-LAN with ATX power (Realtek 8111DL GbE for optional)
<b>Audio</b>	Support HD Audio daughter board
<b>USB</b>	4 x USB 2.0

Display	
<b>Graphics</b>	Build-in VX800, share system memory (VX800 supports Direct X9); Supports VGA, LVDS, TTL (18bit & 18bit)
<b>LCD Interface</b>	18 bit single channel LVDS / 18bit TTL

Environment	
<b>Operation Temp.</b>	0° ~ 60° C ( 32° ~ 140° F )
<b>Storage Temp.</b>	- 40° ~ 85° C ( - 40° ~ 185° F )
<b>Humidity</b>	Operation humidity 20 ~ 90%, storage humidity 20 ~ 95%

Ordering Information	
<b>ISA-391LF-N1.3G</b>	ISA VIA Nano 1.3 CPU Card w/ VGA / 2COM / LAN / SATA / CF
<b>ISA-391LF-E500M</b>	ISA VIA Eden ULV 500MHz CPU Card w/ VGA / 2COM / LAN / SATA / CF

All of trademarks and brand names are the property of their owners. Trademark "Protech" is the property of Protech Systems Co., Ltd. All information contained in this document is subject to change without any prior notice. This catalog is copyrighted in Sep. 2011.