



Precision 3.5mm Male to 2.4mm Male Adapter

TECHNICAL DATA SHEET

PE9649

Precision 3.5mm Male to 2.4mm Male Adapter

Configuration

Connector 1	3.5mm Male
Impedance 1	50 Ohms
Connector 2	2.4mm Male
Impedance 2	50 Ohms
Adapter Design	Precision
Body Style	Straight

Electrical Specifications

Frequency Range, GHz	DC to 34
Maximum VSWR	1.25:1

Mechanical Specifications

Size

Length, in [mm]	0.75 [19.05]
Width/Dia., in [mm]	0.312 [7.92]

Connector 1

Type	3.5mm Male
Hex Size, in.	5/16

Connector 2

Type	2.4mm Male
Hex Size, in.	5/16

Compliance Certifications (visit www.Pasternack.com for current document)

RoHS Compliant	Yes
----------------	-----

Plotted and Other Data

Notes:	Values at 25 °C, sea level
--------	----------------------------

URL: <http://www.pasternack.com/3.5mm-male-2.4mm-male-straight-adapter-pe9649-p.aspx>

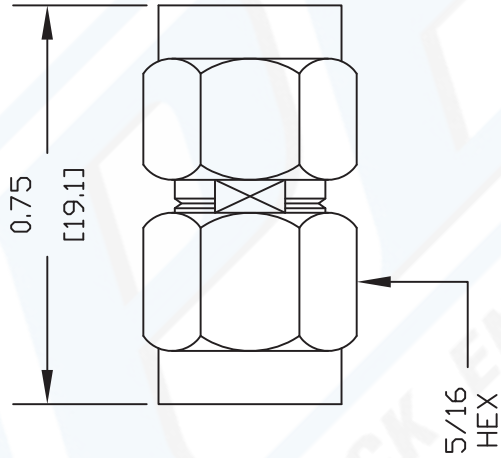
Precision 3.5mm Male to 2.4mm Male Adapter from Pasternack Enterprises has same day shipment for domestic and International orders. Our RF, microwave and fiber optic products maintain a 99% availability and are part of the broadest selection in the industry.

The information contained in this document is accurate to the best of our knowledge and representative of the part described herein. It may be necessary to make modifications to the part and/or the documentation of the part, in order to implement improvements. Pasternack reserves the right to make such changes as required. Unless otherwise stated, all specifications are nominal.



PE9649 CAD Drawing

Precision 3.5mm Male to 2.4mm Male Adapter



NOTES:
 1. UNLESS OTHERWISE SPECIFIED ALL DIMENSIONS ARE NOMINAL.
 2. ALL SPECIFICATIONS ARE SUBJECT TO CHANGE WITHOUT NOTICE AT ANY TIME.
 3. DIMENSIONS ARE IN INCHES [mm].

DWG TITLE
PE9649

REV. -

FSCM NO. 53919

CAD FILE 010903

SCALE N/A

SIZE A

127

PASTERNAK ENTERPRISES, INC.
 P.O. BOX 16759, IRVINE, CA 92623
 PHONE (949) 261-1920 FAX (949) 261-7451
 WEB ADDRESS: www.pasternack.com
 E-MAIL ADDRESS: sales@pasternack.com
COAXIAL & FIBER OPTICS

