

6	33	31.05	29	52808-3029	30
	32	30.05	28	-2929	29
	31	29.05	27	-2829	28
	30	28.05	26	-2729	27
	28	26.05	24	-2529	25
	27	25.05	23	-2429	24
	26	24.05	22	-2329	23
	25	23.05	21	-2229	22
	24	22.05	20	-2129	21
	23	21.05	19	-2029	20
	22	20.05	18	-1929	19
	21	19.05	17	-1829	18
	20	18.05	16	-1729	17
	19	17.05	15	-1629	16
	18	16.05	14	-1529	15
	17	15.05	13	-1429	14
	16	14.05	12	-1329	13
	15	13.05	11	-1229	12
	14	12.05	10	-1129	11
13	11.05	9	-1029	10	
12	10.05	8	-0929	9	
11	9.05	7	-0829	8	
10	8.05	6	-0729	7	
9	7.05	5	-0629	6	
8	6.05	4	-0529	5	
7	5.05	3	52808-0429	4	
G	C	B	A	MATERIAL NO.	極数 CIRCUIT

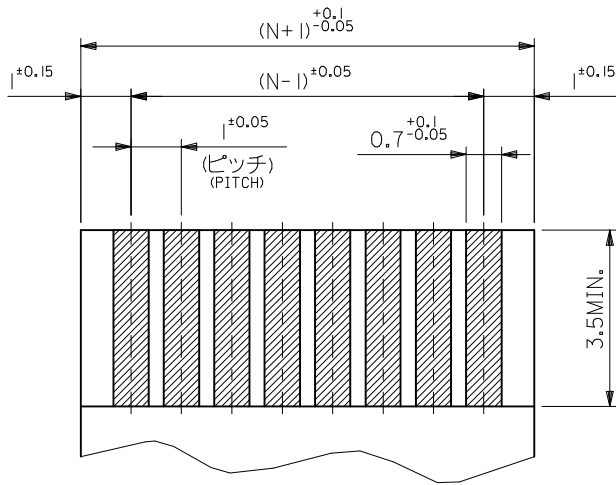
注記 NOTES:  
 1. 使用材料 MATERIAL  
 ハウジング: PPS, UL94V-0 HOUSING :PPS, UL94V-0  
 ターミナル: リン青銅 TERMINAL :PHOSPHOR BRONZE  
 メッキ: ニッケル下地 鍍ビスマスメッキ PLATING :TIN-BISMUTH OVER NICKEL PLATING  
 テープ: ポリイミド (t=50µm) TAPE :PI (t=50µm)

△基準面 [E] からのソルダーテールの半田付け面のスレ量は、  
 上方向に0.1MAX. 下方向0.15MAX. とする。  
 MISALIGNMENT OF SOLDER TAIL FROM [E]  
 : UPPER DIRECTION 0.1MAX. , LOWER DIRECTION 0.15 MAX.

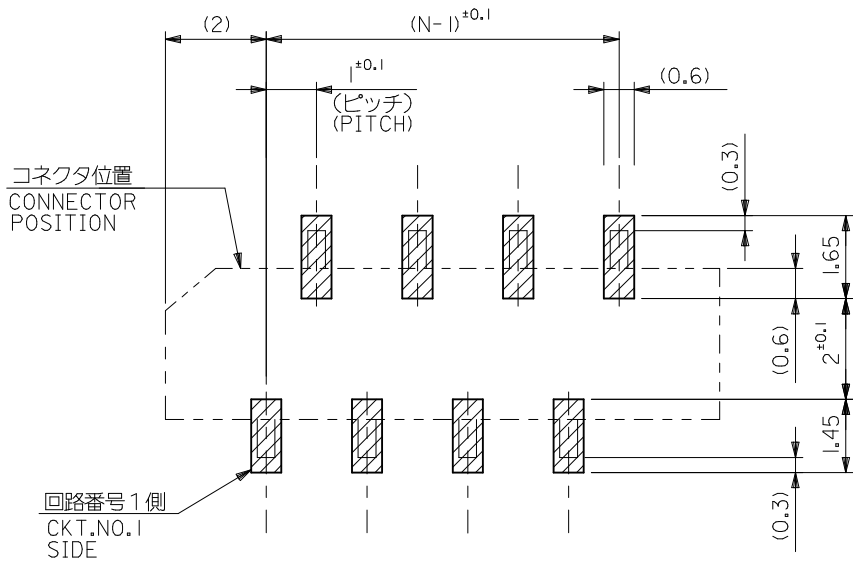
△偶数極に適用。  
 APPLY FOR EVEN CKT.  
 4. 本製品は 52808-\*\*20 の鉛フリー品である。  
 THIS PRODUCT IS LEAD FREE OF 52808-\*\*20.

FPCについて:  
 打抜き方向は導体側から補強板を推奨致します。  
 補強フィルム材質はポリイミドを推奨致します。  
 接着剤は熱硬化接着剤を推奨致します。  
 ABOUT FPC:  
 RECOMMENDED PUNCHER DIRECTION : FROM CONDUCTOR SIDE TO STIFFENER BOARD SIDE.  
 RECOMMENDED MATERIAL :  
 STIFFENER FILM : POLYIMIDE  
 BONDING AGENT : THERMOSETTING BONDING AGENT

REVISED EC NO: J2014-0488 DRWN:FSATO 2013/09/17 CHKD:KAKAHASHI 2013/09/17 APPR:YNOGAWA 2013/09/18	DESCRIPTION	GENERAL TOLERANCES (UNLESS SPECIFIED)		DIMENSION STYLE		SCALE	DESIGN UNITS	THIRD ANGLE PROJECTION		
		10 UNDER ± ---		MM ONLY		10:1	METRIC	◎ □		
		10 OVER 30 UNDER ± ---		DRAWN BY DATE		TITLE				
		30 OVER ± ---		CHECKED BY DATE		1.0 FFC CONN. NON ZIF SMT ST (WITH TAPE) -LEAD FREE-				
REV	REV	ANGULAR ± --- °		APPROVED BY DATE		MATERIAL NO.		DOCUMENT NO.		
		DRAFT WHERE APPLICABLE MUST REMAIN WITHIN DIMENSIONS		DATE		SEE NOTE		SD-52808-025		
		SIZE A3		THIS DRAWING CONTAINS INFORMATION THAT IS PROPRIETARY TO MOLEX INCORPORATED AND SHOULD NOT BE USED WITHOUT WRITTEN PERMISSION						



(仕上がり厚さ)  $0.3 \pm 0.03$   
 THICKNESS  
 適合 FPC / FFC 推奨寸法  
 APPLICABLE FPC/FFC  
 RECOMMENDED DIMENSION.

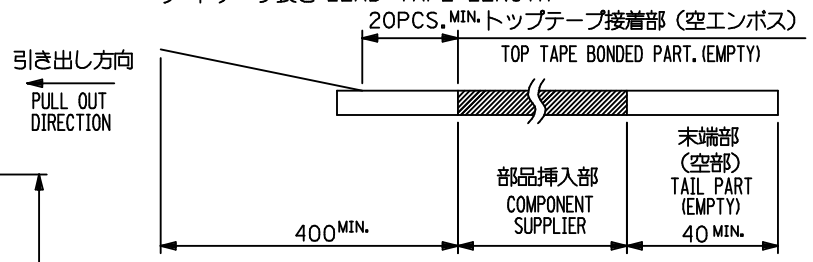


参考基板レイアウト (マウント面)  
 RECOMMENDED P.C.BOARD  
 PATTERN DIMENSION. (REF.)  
 (MOUNTING AREA)

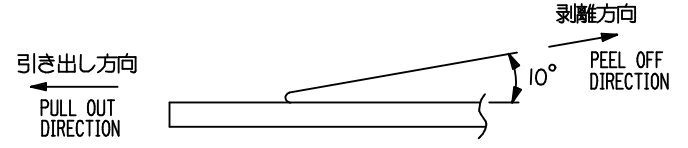
REVISED EC NO: J2014-0488 DRWN:FSATO 2013/09/17 CHKD:KATAHASHI 2013/09/17 APPR:YNOGAWA 2013/09/18	GENERAL TOLERANCES (UNLESS SPECIFIED)		DIMENSION STYLE MM ONLY		SCALE 10:1	DESIGN UNITS METRIC	THIRD ANGLE PROJECTION	
	10 UNDER	± ---	DRAWN BY MNINOMIYA	DATE 2004/02/09	TITLE 1.0 FFC CONN. NON ZIF SMT ST (WITH TAPE) -LEAD FREE-			
	10 OVER 30 UNDER	± ---	CHECKED BY KTOJO	DATE 2004/02/09				
	30 OVER	± ---	APPROVED BY		DATE			SHEET NO. 2 OF 2
ANGULAR ± --- °		MATERIAL NO. SEE CHEET 1 OF 2		DOCUMENT NO. SD-52808-025				
DRAFT WHERE APPLICABLE MUST REMAIN WITHIN DIMENSIONS		THIS DRAWING CONTAINS INFORMATION THAT IS PROPRIETARY TO MOLEX INCORPORATED AND SHOULD NOT BE USED WITHOUT WRITTEN PERMISSION						

NOTES

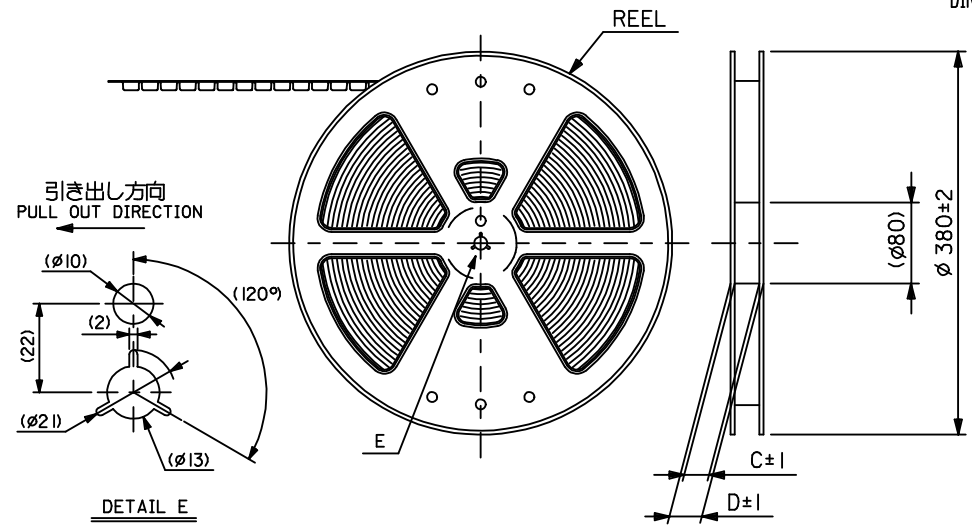
- 製品詳細寸法については図面 SD-52808-025 を参照下さい。  
RE DETAILED DIMENSION, SEE SD-52808-025.
- 梱包数量：1000個/リール  
NUMBER OF CONNECTORS : 1000PCS/REEL
- リードテープ長さ LEAD TAPE LENGTH



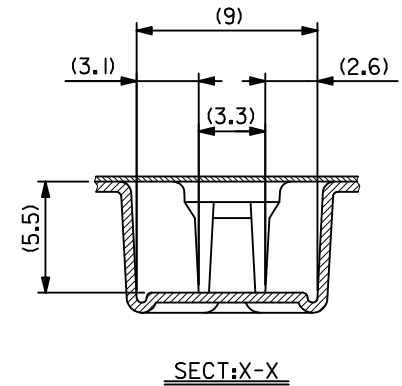
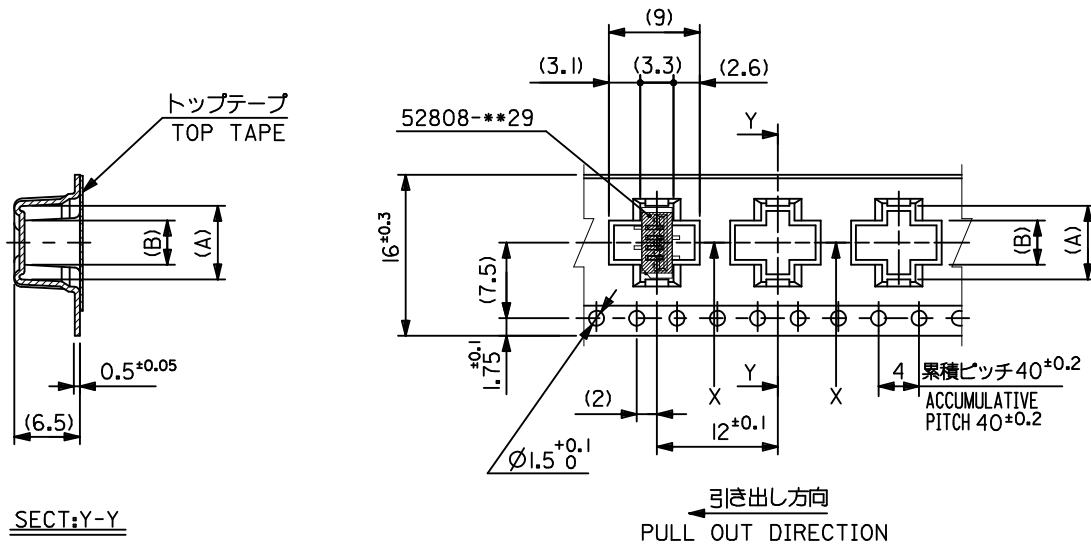
- トップテープの剥離強度：0.1N ~ 1.3N(10gf ~ 130gf)  
(剥離方向は下図参照)  
尚、本規格値は出荷時に適用。(但し、輸送時に剥離が発生しないこと。)  
PEELING OFF FORCE OF TOP TAPE : 0.1N ~ 1.3N(10gf ~ 130gf)  
(PEELING DIRECTION AS SHOWN IN FOLLOWING FIG.)  
THIS REQUIREMENT SHOULD BE APPLIED AT SHIPMENT.  
PEEL OFF SHOULD NOT BE ALLOWED , DURING TRANSPORTATION.



- 材料 (MATERIAL)  
キャリアテープ (CARRIER TAPE) : ポリプロピレン (POLYPROPYLENE)  
トップテープ (TOPTAPE) : PET , PE , PEF  
リール (REEL) : ポリスチレン (PS) <リサイクル材を含む>  
POLYSTYRENE (PS) <RECYCLE MATERIAL CONTAINED>
- MXI 製造製品は紙リールを使用すること。  
ONLY MXI PRODUCT ITEM SHOULD USE CARD BOARD REEL.
- 本製品は 52808-\*\*\*9I の鉛フリー品である。  
THIS PRODUCT IS LEAD FREE OF 52808-\*\*\*9I.



REVISED EC NO: J2014-0123 DRW: FSATO 2013/07/24 CHKD: TAKAHASHI 2013/07/24 APPR: YNOGAWA 2013/08/06	DESCRIPTION REV	GENERAL TOLERANCES (UNLESS SPECIFIED)		MODEL NO.		52808-***71	
		10 UNDER ± ---		DIMENSION STYLE		SCALE	
		10 OVER 30 UNDER ± ---		MM ONLY		---	
		30 OVER ± ---		DRAWN BY DATE		DESIGN UNITS	
ANGULAR ± --- °		DRAFT WHERE APPLICABLE MUST REMAIN WITHIN DIMENSIONS		TITILE		THIRD ANGLE PROJECTION	
				MATERIAL NO.		DOCUMENT NO.	
				SEE NOTES		SD-52808-026	
				SIZE A3		SHEET NO. 1 OF 6	
				THIS DRAWING CONTAINS INFORMATION THAT IS PROPRIETARY TO MOLEX INCORPORATED AND SHOULD NOT BE USED WITHOUT WRITTEN PERMISSION			



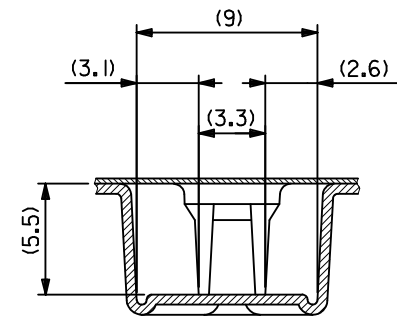
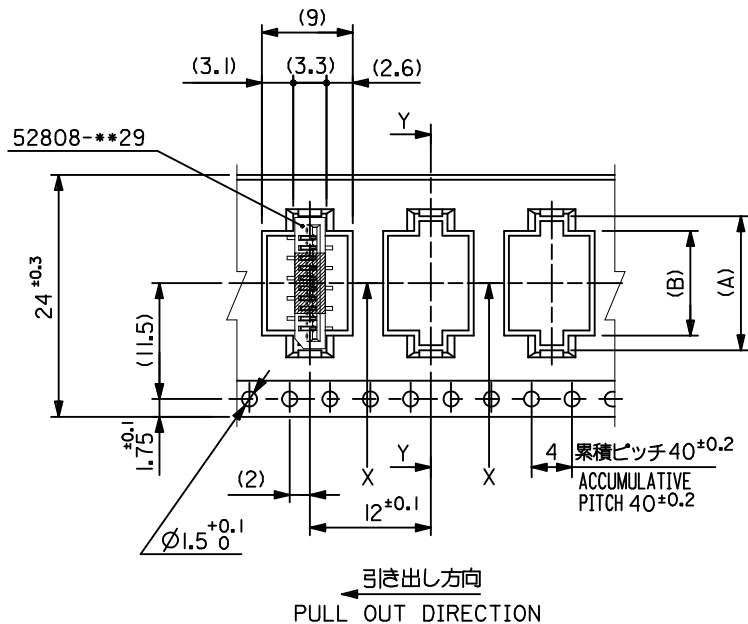
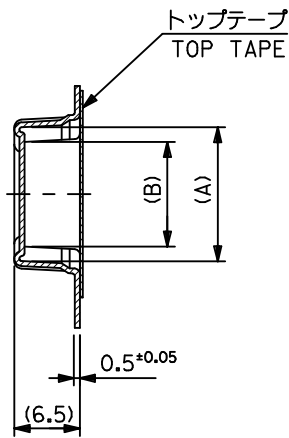
SECT:Y-Y

SECT:X-X

16mm幅キャリアテープ  
16mm WIDTH CARRIER TAPE

16	21.4	17.4	5.4	8.3	52808-0571	5
			4.4	7.3	52808-0471	4
キャリアテープ幅 CARRIER TAPE WIDTH	D	C	(B)	(A)	MATERIAL NO.	種数 CKT.
MODEL NO.					52808-***71	

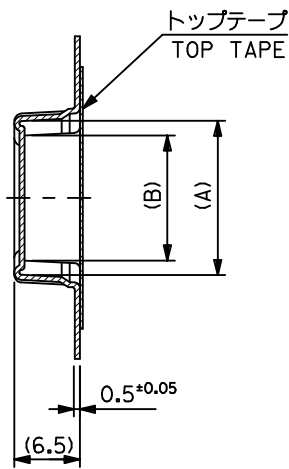
REVISED EC NO.: J2014-0123 DRWN: SATO 2013/07/24 CHKD: TAKAHASHI 2013/07/24 APPR: YNOGAWA 2013/08/06	GENERAL TOLERANCES (UNLESS SPECIFIED)		DIMENSION STYLE MM ONLY		SCALE ---	DESIGN UNITS METRIC	THIRD ANGLE PROJECTION
	10 UNDER	± ---	DRAWN BY MNINOMIYA	DATE 2004/02/09	TITLE 1.0 FFC CONN NON ZIF SMT ST WITH TAPE EMBSTP PKG -LEAD FREE-		
	10 OVER 30 UNDER	± ---	CHECKED BY KTOJO	DATE 2004/02/09	<b>molex</b> DOCUMENT NO. SD-52808-026 SHEET NO. 2 OF 6		
	30 OVER	± ---	APPROVED BY	DATE			
ANGULAR ± --- °		MATERIAL NO. SEE NOTE					
DRAFT WHERE APPLICABLE MUST REMAIN WITHIN DIMENSIONS		THIS DRAWING CONTAINS INFORMATION THAT IS PROPRIETARY TO MOLEX INCORPORATED AND SHOULD NOT BE USED WITHOUT WRITTEN PERMISSION					



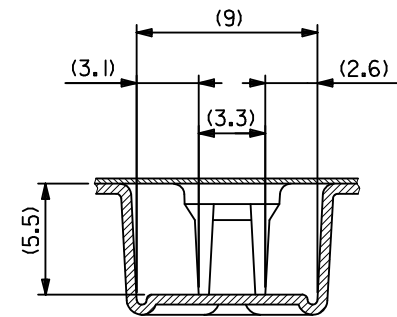
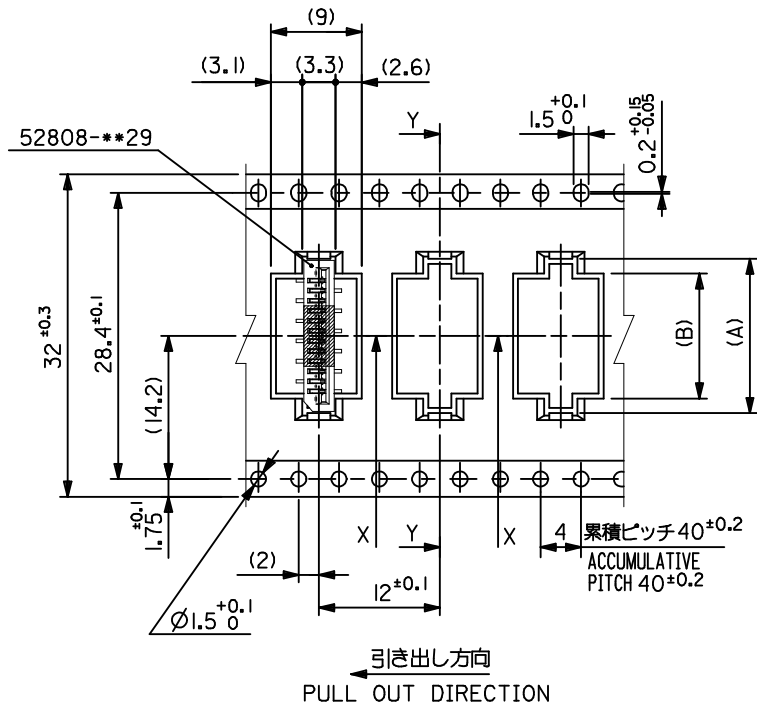
24mm幅キャリアテープ  
24mm WIDTH CARRIER TAPE

24	29.4	25.4	10.4	13.3	52808-1071	10
			9.4	12.3	52808-0971	9
			8.4	11.3	52808-0871	8
			7.4	10.3	52808-0771	7
			6.4	9.3	52808-0671	6
キャリアテープ幅 CARRIER TAPE WIDTH	D	C	(B)	(A)	MATERIAL NO.	種数 CKT.
MODEL NO.			52808-**-71			

REVISED EC NO: J2014-0123 2013/07/24 DRWN:FSATO 2013/07/24 CHKD:KAKAHASHI 2013/08/06 APPR:YNOGAWA	DESCRIPTION	GENERAL TOLERANCES (UNLESS SPECIFIED)		DIMENSION STYLE MM ONLY		SCALE ---	DESIGN UNITS METRIC	THIRD ANGLE PROJECTION	
		10 UNDER	± ---	DRAWN BY MNINOMIYA	DATE 2004/02/09	TITLE 1.0 FFC CONN NON ZIF SMT ST WITH TAPE EMBSTP PKG -LEAD FREE-			
		10 OVER 30 UNDER	± ---	CHECKED BY KTOJO	DATE 2004/02/09	<b>molex</b>			
		30 OVER	± ---	APPROVED BY	DATE				
		ANGULAR ± --- °		MATERIAL NO. SEE NOTE		DOCUMENT NO. SD-52808-026		SHEET NO. 3 OF 6	
DRAFT WHERE APPLICABLE MUST REMAIN WITHIN DIMENSIONS		THIS DRAWING CONTAINS INFORMATION THAT IS PROPRIETARY TO MOLEX INCORPORATED AND SHOULD NOT BE USED WITHOUT WRITTEN PERMISSION							



SECT:Y-Y

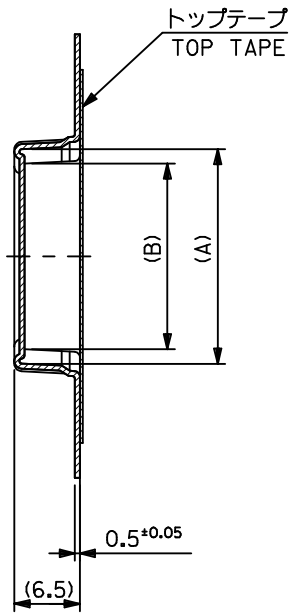


SECT:X-X

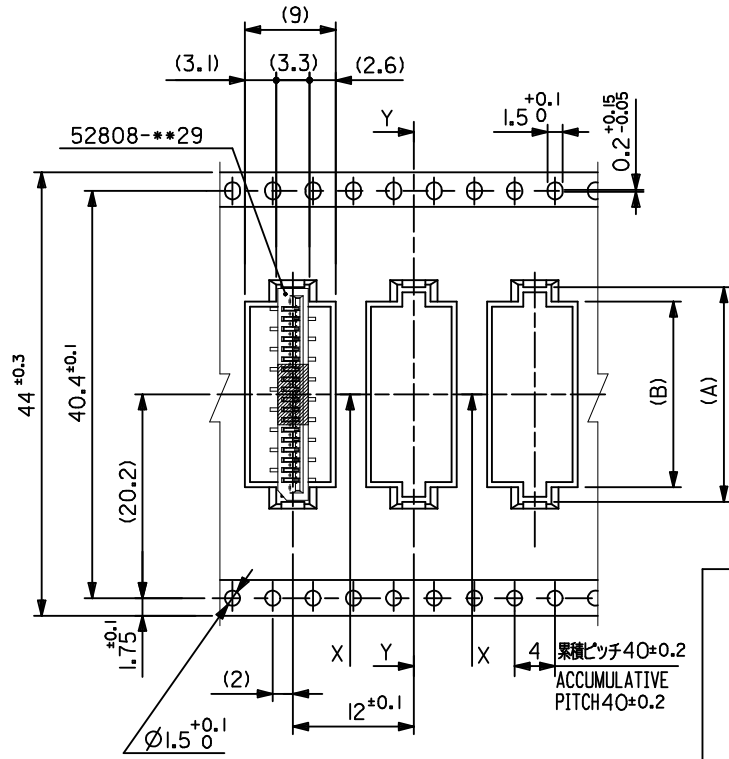
32mm幅キャリアテープ  
32mm WIDTH CARRIER TAPE

32	37.4	33.4	15.4	18.3	52808-1571	15
			14.4	17.3	52808-1471	14
			13.4	16.3	52808-1371	13
			12.4	15.3	52808-1271	12
			11.4	14.3	52808-1171	11
キャリアテープ幅 CARRIER TAPE WIDTH	D	C	(B)	(A)	MATERIAL NO.	種数 CKT.
MODEL NO.			52808-***71			

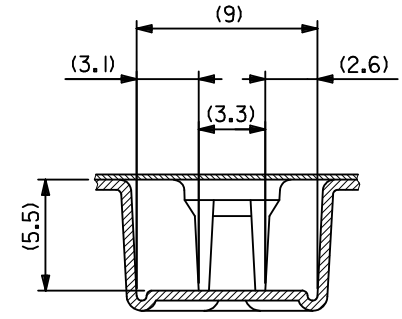
REVISED EC NO: J2014-0123 DRWN:FSATO 2013/07/24 CHKD:KAKAHASHI 2013/07/24 APPR:YNOGAWA 2013/08/06 REV: B	DESCRIPTION	GENERAL TOLERANCES (UNLESS SPECIFIED)	DIMENSION STYLE	SCALE	DESIGN UNITS	TITLE 1.0 FFC CONN NON ZIF SMT ST WITH TAPE EMBSTP PKG -LEAD FREE- <b>molex</b> DOCUMENT NO. SD-52808-026 SHEET NO. 4 OF 6	
	REV	10 UNDER	± ---	MM ONLY	---		THIRD ANGLE PROJECTION
		10 OVER 30 UNDER	± ---				
		30 OVER	± ---				
		ANGULAR	± --- °				
		DRAFT WHERE APPLICABLE MUST REMAIN WITHIN DIMENSIONS					
			DRAWN BY MNINOMIYA	DATE 2004/02/09			
			CHECKED BY KTOJO	DATE 2004/02/09			
			APPROVED BY	DATE			
			MATERIAL NO.	SEE NOTE			
			SIZE A3	THIS DRAWING CONTAINS INFORMATION THAT IS PROPRIETARY TO MOLEX INCORPORATED AND SHOULD NOT BE USED WITHOUT WRITTEN PERMISSION			



SECT:Y-Y



引き出し方向  
PULL OUT DIRECTION

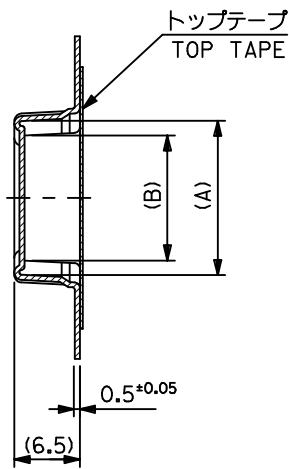


SECT:X-X

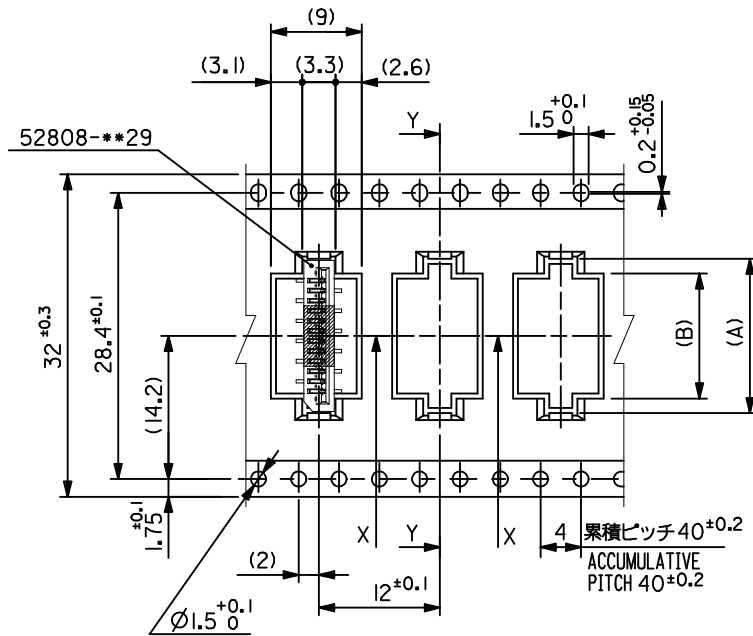
44mm幅キャリアテープ  
44mm WIDTH CARRIER TAPE

44	49.4	45.4	28.4	31.3	52808-2871	28
			27.4	30.3	52808-2771	27
			25.4	28.3	52808-2571	25
			24.4	27.3	52808-2471	24
			23.4	26.3	52808-2371	23
			22.4	25.3	52808-2271	22
			21.4	24.3	52808-2171	21
			20.4	23.3	52808-2071	20
			19.4	22.3	52808-1971	19
			18.4	21.3	52808-1871	18
17.4	20.3	52808-1771	17			
16.4	19.3	52808-1671	16			
キャリアテープ幅 CARRIER TAPE WIDTH	D	C	(B)	(A)	MATERIAL NO.	種数 CKT.
MODEL NO.			52808-***71			

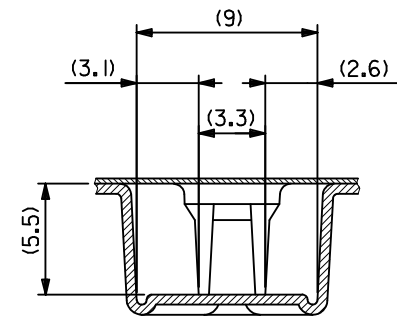
REVISED EC NO.: J2014-0123 DRW:FSATO 2013/07/24 CHKD:KATAHASHI 2013/07/24 APPR:YNOGAWA 2013/08/06	DESCRIPTION REV	GENERAL TOLERANCES (UNLESS SPECIFIED)		DIMENSION STYLE MM ONLY		SCALE ---	DESIGN UNITS METRIC	THIRD ANGLE PROJECTION		
		10 UNDER	± ---	DRAWN BY MNINOMIYA	DATE 2004/02/09	TITLE 1.0 FFC CONN NON ZIF SMT ST WITH TAPE EMBSTP PKG -LEAD FREE-				
		10 OVER 30 UNDER	± ---	CHECKED BY KTOJO	DATE 2004/02/09					
		30 OVER	± ---	APPROVED BY	DATE					
ANGULAR ± --- °		DRAFT WHERE APPLICABLE MUST REMAIN WITHIN DIMENSIONS		THIS DRAWING CONTAINS INFORMATION THAT IS PROPRIETARY TO MOLEX INCORPORATED AND SHOULD NOT BE USED WITHOUT WRITTEN PERMISSION						



SECT:Y-Y



引き出し方向  
PULL OUT DIRECTION



SECT:X-X

32mm幅キャリアテープ  
32mm WIDTH CARRIER TAPE

32	37.4	33.4	15.4	18.3	52808-1571	15
			14.4	17.3	52808-1471	14
			13.4	16.3	52808-1371	13
			12.4	15.3	52808-1271	12
			11.4	14.3	52808-1171	11
キャリアテープ幅 CARRIER TAPE WIDTH	D	C	(B)	(A)	MATERIAL NO.	種数 CKT.
MODEL NO.			52808-**71			

REVISED EC NO: J2014-0123 DRWN:FSATO 2013/07/24 CHKD:KAKAHASHI 2013/07/24 APPR:YNOGAWA 2013/08/06	GENERAL TOLERANCES (UNLESS SPECIFIED)		DIMENSION STYLE MM ONLY		SCALE ---	DESIGN UNITS METRIC	THIRD ANGLE PROJECTION
	10 UNDER	± ---	DRAWN BY MNINOMIYA	DATE 2004/02/09	TITLE 1.0 FFC CONN NON ZIF SMT ST WITH TAPE EMBSTP PKG -LEAD FREE- <b>molex</b>		
	10 OVER 30 UNDER	± ---	CHECKED BY KTOJO	DATE 2004/02/09			
	30 OVER	± ---	APPROVED BY	DATE			
	ANGULAR ± --- °		MATERIAL NO. SEE NOTE		DOCUMENT NO. SD-52808-026	SHEET NO. 4 OF 6	
DRAFT WHERE APPLICABLE MUST REMAIN WITHIN DIMENSIONS		THIS DRAWING CONTAINS INFORMATION THAT IS PROPRIETARY TO MOLEX INCORPORATED AND SHOULD NOT BE USED WITHOUT WRITTEN PERMISSION					