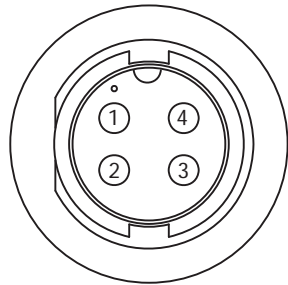
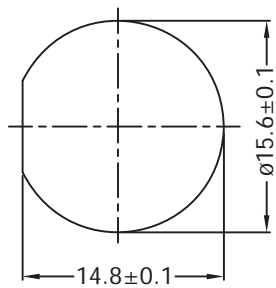


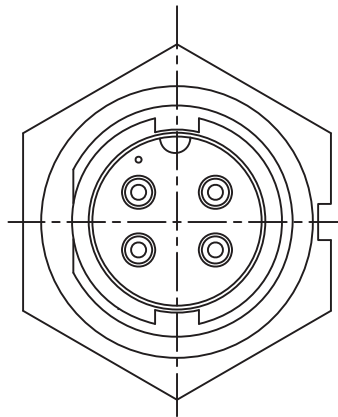
4Pin Male Connector
Male Pin PCB Layout



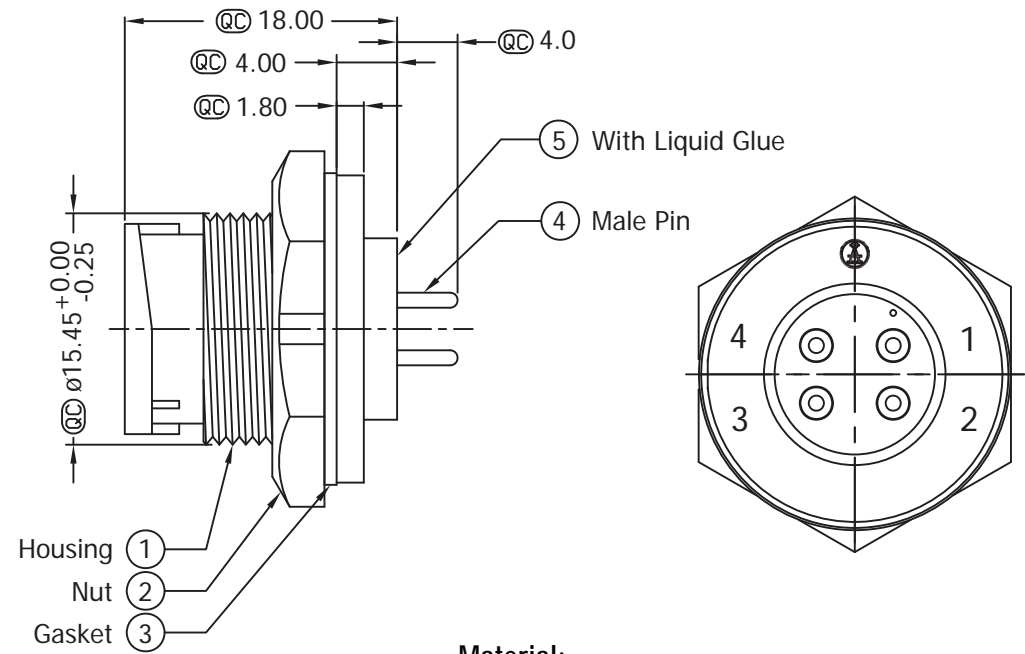
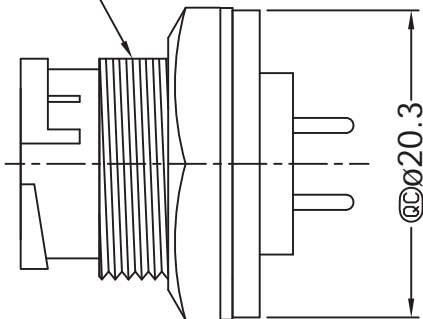
Pin Assignments
Front View



Recommended Panel Cut-Out



5/8" - 27UNS



Material:

- Waterproof Rate: IP67
- Housing: Nylon+GF, Black
- Male Pin: Copper Alloy, Gold Plated
- Nut: Nylon+GF, Black
- Gasket: EPDM, Black
- Maximum Panel Thickness: 4.0MM

QC Quality Control: Important Dimension to check

Unit: mm



Scale	1:1						Date	Name	Title Waterproof Circular connector 5A PCB type, Panel mount, Male, 4 pin
TOLERANCE							Drawn	01.12.11	
X.X	±0.40						Approved		
X.XX	±0.25								ASSMANN WSW-No.
X.XXX	±0.15								A-CR-04PMMP-LC-WP
DIM	TOL								Drawing-No.
X.°	±3°								rev00
X.X°	±X°								Replace
Angle	TOL	Id.	Modification	Date	Name	 1840 W. Drake Drive, Suite 101 • Tempe, AZ 85283 Toll Free: 1-877-277-6266 • Email: info@assmann.us			Sheet