



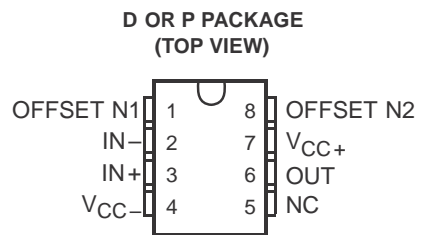
# TIGER ELECTRONIC CO.,LTD



OP07 CP / DP , CDR / DDR

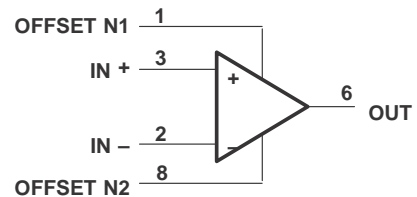
## PRECISION OPERATIONAL AMPLIFIERS

- Low Noise**
- No External Components Required**
- Replaces Chopper Amplifiers at a Lower Cost**
- Single-Chip Monolithic Fabrication**
- Wide Input Voltage Range**  
0 to  $\pm 14$  V Typ
- Wide Supply Voltage Range**  
 $\pm 3$  V to  $\pm 18$  V



NC – No internal connection

### symbol



### description

These devices represent a breakthrough in operational amplifier performance. Low offset and long-term stability are achieved by means of a low-noise, chopperless, bipolar-input-transistor amplifier circuit. For most applications, external components are not required for offset nulling and frequency compensation. The true differential input, with a wide input voltage range and outstanding common-mode rejection, provides maximum flexibility and performance in high-noise environments and in noninverting applications. Low bias currents and extremely high input impedances are maintained over the entire temperature range. The OP07 is unsurpassed for low-noise, high-accuracy amplification of very low-level signals.

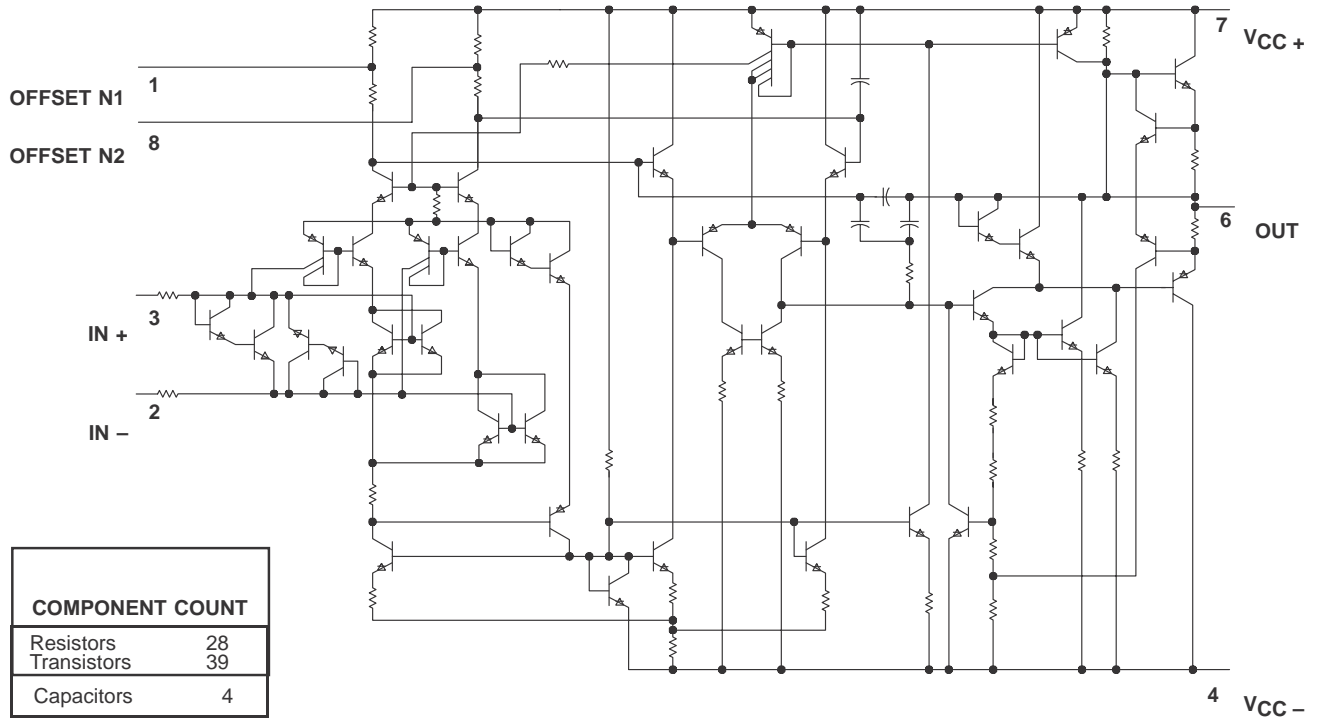
These devices are characterized for operation from 0°C to 70°C.

### AVAILABLE OPTIONS

T <sub>A</sub>	V <sub>IO</sub> max AT 25°C	PACKAGED DEVICES	
		SMALL OUTLINE (D)	PLASTIC DIP (P)
0°C to 70°C	150 V	OP07CD OP07DD	OP07CP OP07DP

# OP07 CP / DP , CDR / DDR

## schematic



COMPONENT COUNT	
Resistors	28
Transistors	39
Capacitors	4

## absolute maximum ratings over operating free-air temperature range (unless otherwise noted)

Supply voltage, $V_{CC+}$ (see Note 1)	22 V
Supply voltage, $V_{CC-}$	-22 V
Differential input voltage (see Note 2)	$\pm 30$ V
Input voltage, $V_I$ (either input, see Note 3)	$\pm 22$ V
Duration of output short circuit (see Note 4)	unlimited
Continuous total dissipation at (or below) 25°C free-air temperature (see Note 5)	500 mW
Operating free-air temperature range, $T_A$	0°C to 70°C
Storage temperature range	-65°C to 150°C
Lead temperature 1,6 mm (1/16 inch) from case for 10 seconds	260°C

- NOTES:
1. All voltage values, unless otherwise noted, are with respect to the midpoint between  $V_{CC+}$  and  $V_{CC-}$ .
  2. Differential voltages are at IN+ with respect to IN-.
  3. The magnitude of the input voltage must never exceed the magnitude of the supply voltage or 15 V, whichever is less.
  4. The output may be shorted to ground or either power supply.
  5. For operation above 64°C free-air temperature, derate the D package to 464 mW at 70°C at the rate of 5.8 mW/°C.

## recommended operating conditions

		MIN	MAX	UNIT
Supply voltage, $V_{CC\pm}$		$\pm 3$	$\pm 18$	V
Common-mode input voltage, $V_{IC}$	$V_{CC\pm} = \pm 15$ V	-13	13	V
Operating free-air temperature, $T_A$		0	70	°C

electrical characteristics at specified free-air temperature,  $V_{CC} \pm = \pm 15$  V (unless otherwise noted)

PAR AME		TEST CONDITIONST	T <sub>A</sub>	OP07C			OP07D			UNIT
				MIN	TYP	MAX	MIN	TYP	MAX	
V <sub>IO</sub>	Input offset voltage	V <sub>O</sub> = 0, R <sub>S</sub> = 50	25°C	60	150		60	150	V	
			0°C to 70°C	85	250		85	250		
V <sub>IO</sub>	Temperature coefficient of input offset	V <sub>O</sub> = 0, R <sub>S</sub> = 50	0°C to 70°C	0.5	1.8		0.7	2.5	V/°C	
	Long-term drift of input offset voltage	See Note 6		0.4			0.5		V/mo	
	Offset adjustment range	R <sub>S</sub> = 20 k, See Figure 1	25°C	±4			±4		mV	
I <sub>IO</sub>	Input offset current		25°C	0.8	6		0.8	6	nA	
			0°C to 70°C	1.6	8		1.6	8		
I <sub>IO</sub>	Temperature coefficient of input offset current		0°C to 70°C	12	50		12	50	pA/°C	
I <sub>IB</sub>	Input bias current		25°C	±1.8	±7		±2	±12	nA	
			0°C to 70°C	±2.2	±9		±3	±14		
I <sub>IB</sub>	Temperature coefficient of input bias current		0°C to 70°C	18	50		18	50	pA/°C	
V <sub>ICR</sub>	Common-mode input voltage range		25°C	±13	±14		±13	±14	V	
			0°C to 70°C	±13	±13.5		±13	±13.5		
V <sub>OM</sub>	Peak output voltage	R <sub>L</sub> ε 10 k	25°C	±12	±13		±12	±13	V	
		R <sub>L</sub> ε 2 k		±11.5	±12.8		±11.5	±12.8		
		R <sub>L</sub> ε 1 k		±12			±12			
		R <sub>L</sub> ε 2 k	0°C to 70°C	±11	±12.6		±11	±12.6		
A <sub>VD</sub>	Large-signal differential voltage amplification	V <sub>CC±</sub> = ±3 V, V <sub>O</sub> = ±0.5 V, R <sub>L</sub> ε 500 k	25°C	100	400		400		V/mV	
		V <sub>O</sub> = ±10 V, R <sub>L</sub> = 2 k	25°C	120	400		120	400		
			0°C to 70°C	100	400		100	400		
B <sub>1</sub>	Unity-gain bandwidth		25°C	0.4	0.6		0.4	0.6	MHz	
r <sub>i</sub>	Input resistance		25°C	8	33		7	31	M	
CMRR	Common-mode rejection ratio	V <sub>IC</sub> = ±13 V, R <sub>S</sub> = 50	25°C	100	120		94	110	dB	
			0°C to 70°C	97	120		94	106		
k <sub>SVS</sub>	Supply voltage sensitivity ( V <sub>IO</sub> / V <sub>CC</sub> )	V <sub>CC±</sub> = ±3 V to ±18 V, R <sub>S</sub> = 50	25°C	7	32		7	32	V/V	
			0°C to 70°C	10	51		10	51		
P <sub>D</sub>	Power dissipation	V <sub>O</sub> = 0, No load	25°C	80	150		80	150	mW	
		V <sub>CC±</sub> = ±3 V, V <sub>O</sub> = 0, No load		4	8		4	8		

C  
C  
±

## OP07 CP / DP , CDR / DDR

operating characteristics,  $V_{CC\pm} = \pm 15 \text{ V}$ ,  $T_A = 25^\circ\text{C}$

PARAMETER	TEST CONDITIONS†	OP07C			OP07D			UNIT
		MIN	TYP	MAX	MIN	TYP	MAX	
$V_n$ Equivalent input noise voltage	f = 10 Hz	10.5			10.5			nV/√Hz
	f = 100 Hz	10.2			10.3			
	f = 1 kHz	9.8			9.8			
$V_{N(PP)}$ Peak-to-peak equivalent input noise voltage	f = 0.1 Hz to 10 Hz	0.38			0.38			V
$I_n$ Equivalent input noise current	f = 10 Hz	0.35			0.35			pA/√Hz
	f = 100 Hz	0.15			0.15			
	f = 1 kHz	0.13			0.13			
$I_{N(PP)}$ Peak-to-peak equivalent input noise current	f = 0.1 Hz to 10 Hz	15			15			pA
SR    Slew rate	$R_L \leq 2 \text{ k}$	0.3			0.3			V/ s

† All characteristics are measured under open-loop conditions with zero common-mode input voltage unless otherwise noted.

electrical characteristics,  $V_{CC\pm} = \pm 15 \text{ V}$ ,  $T_A = 25^\circ\text{C}$  (unless otherwise noted)

PARAMETER	TEST CONDITIONS†	OP07Y			UNIT
		MIN	TYP	MAX	
$V_{IO}$ Input offset voltage	$R_S = 50$	60    150			V
Long-term drift of input offset voltage	See Note 6	0.5			V/mo
Offset adjustment range	$R_S = 20 \text{ k}$ ,    See Figure 1	±4			mV
$I_{IO}$ Input offset current		0.8    6			nA
$I_{IB}$ Input bias current		±2    ±12			nA
$V_{ICR}$ Common-mode input voltage range		±13    ±14			V
$V_{OM}$ Peak output voltage	$R_L \delta 10 \text{ k}$	±12    ±13			V
	$R_L \delta 2 \text{ k}$	±11.5    ±12.8			
	$R_L \delta 1 \text{ k}$	±12			
$A_{VD}$ Large-signal differential voltage amplification	$V_{CC\pm} = \pm 3 \text{ V}$ , $V_O = \pm 0.5 \text{ V}$ , $R_L \delta 500 \text{ k}$	400			
	$V_O = \pm 10 \text{ V}$ , $R_L = 2 \text{ k}$	120    400			
$B_1$ Unity-gain bandwidth		0.4    0.6			MHz
$r_i$ Input resistance		7    31			M
CMRR    Common-mode input resistance	$V_{IC} = \pm 13 \text{ V}$ , $R_S = 50$	94    110			dB
$k_{SVS}$ Supply-voltage rejection ratio ( $V_{CC}/ V_{IO}$ )	$V_{CC\pm} = \pm 3 \text{ V}$ to $\pm 18 \text{ V}$ , $R_S = 50$	7    32			V/V
$P_D$ Power dissipation	$V_O = 0$ ,    No load	80    150			M
	$V_{CC\pm} = \pm 3 \text{ V}$ , $V_O = 0$ ,    No load	4    8			

## OP07 CP / DP , CDR / DDR

operating characteristics,  $V_{CC\pm} = \pm 15\text{ V}$ ,  $T_A = 25^\circ\text{C}$

PARAMETER	TEST CONDITIONS†	OP07Y			UNIT
		MIN	TYP	MAX	
$V_n$ Equivalent input noise voltage	$f = 10\text{ Hz}$		10.5		nV/ $\sqrt{\text{Hz}}$
	$f = 1\text{ kHz}$		10.3		
	$f = 0.1\text{ Hz to }10\text{ Hz}$		9.8		
$V_{N(PP)}$ Peak-to-peak equivalent input noise voltage	$f = 0.1\text{ Hz to }10\text{ Hz}$		0.38		V
$I_n$ Equivalent input noise current	$f = 10\text{ Hz}$		0.35		pA/ $\sqrt{\text{Hz}}$
	$f = 100\text{ Hz}$		0.15		
	$f = 1\text{ kHz}$		0.13		
$I_{N(PP)}$ Peak-to-peak equivalent input noise current	$f = 0.1\text{ Hz to }10\text{ Hz}$		15		pA
SR    Slew rate	$R_L = 2\text{ k}$		0.3		V/ s

† All characteristics are measured under open-loop conditions with zero common-mode input voltage unless otherwise noted.

### APPLICATION INFORMATION

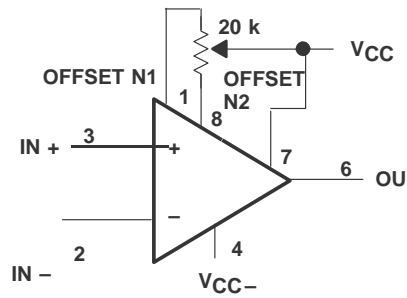


Figure 1. Input Offset Voltage Null Circuit