

DIGITRON SEMICONDUCTORS

UES1301-UES1303

HIGH EFFICIENCY RECTIFIERS

3.5 AMP

MAXIMUM RATINGS

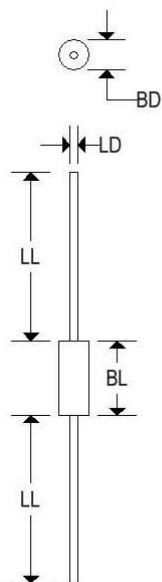
Characteristics	Symbol	UES1301	UES1302	UES1303
Peak inverse voltage	V_R	50V	100V	150V
Maximum average DC output at $T_L = 75^\circ\text{C}$, $L = \frac{3}{8}"$	I_O	6.0A		
Non-repetitive surge current at 8.3ms	I_{FSM}	125A		
Thermal resistance at $L = \frac{3}{8}"$	$R_{\theta JC}$	20°C/W		
Junction operating temperature	T_J	175°C		
Operating and storage temperature range	T_J, T_{stg}	-55° to +175°C		

ELECTRICAL CHARACTERISTICS (@ 25°C unless noted)

Part number	Peak inverse voltage	Maximum forward voltage drop		Maximum leakage current		Maximum reverse recovery time
		$T_J = 25^\circ\text{C}$	$T_J = 100^\circ\text{C}$	$T_J = 25^\circ\text{C}$	$T_J = 100^\circ\text{C}$	$I_F = 0.5A$ $I_R = 1.0A$ $I_{REC} = 0.25A$
UES1301	50V	0.925V @ 6A	0.850V @ 6A	5μA	150μA	30ns
UES1302	100V					
UES1303	150V					

MECHANICAL CHARACTERISTICS

Case	Digi B
Marking	Alpha-numeric, Body painted
Polarity	Cathode band



	Digi B			
	Inches		Millimeters	
	Min	Max	Min	Max
BD	-	0.135	-	3.429
BL	-	0.250	-	6.350
LD	0.038	0.042	0.965	1.067
LL	0.975	-	24.765	-

Available Non-RoHS (standard) or RoHS compliant (add PBF suffix).

Available as "HR" (high reliability) screened per MIL-PRF-19500, JANTX level. Add "HR" suffix to base part number.

144 Market Street
Kenilworth NJ 07033 USA

phone +1.908.245-7200
fax +1.908.245-0555

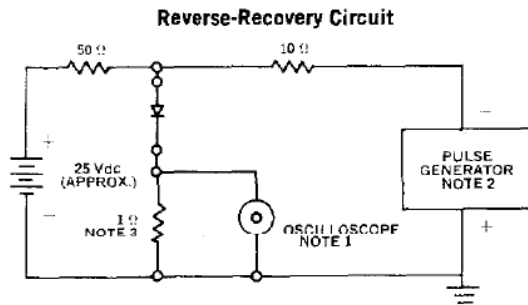
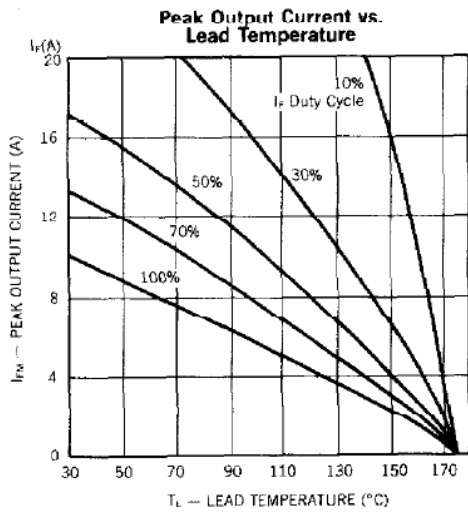
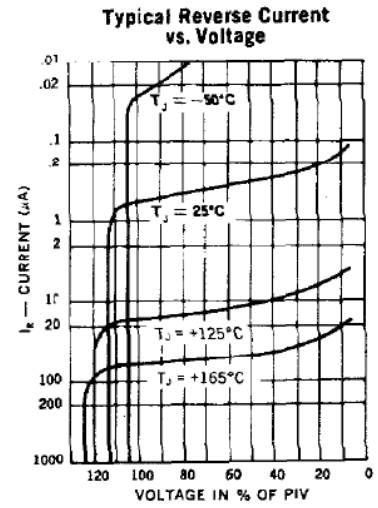
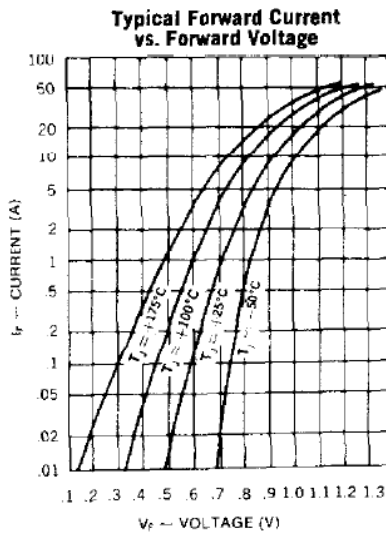
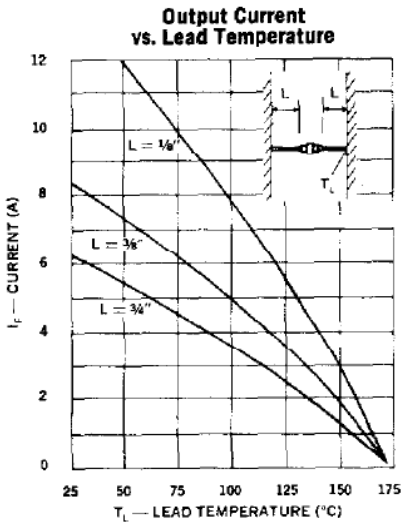
sales@digitroncorp.com
www.digitroncorp.com

DIGITRON SEMICONDUCTORS

UES1301-UES1303

HIGH EFFICIENCY RECTIFIERS

3.5 AMP



- NOTES:**
- Oscilloscope: Rise time $\leq 3\text{nS}$; input impedance = 50 Ω .
 - Pulse Generator: Rise time $\leq 8\text{nS}$; source impedance 10 Ω .
 - Current viewing resistor, non-inductive, coaxial recommended.

