

## SPECIFICATION

Part No.	:	<b>WLP.2450.25.4.A.02</b>
Product Name	:	2450MHz Patch Antenna
Features	:	25mm*25mm*4.5mm ROHS Compliant
Photo	:	



## 1. Introduction

This WLP.25 patch antenna for ISM, Wi-Fi, Bluetooth and Zigbee is based on smart *XtremeGain™* technology. It is mounted via pin and double-sided adhesive and has been selected as optimal solution for the 50\*50mm ground plane. This passive patch offers typical gain response from 2.5 dBi and a higher gain can be achieved, depending on the Ground Plane, the space available and clearance afforded. The WLP.25's high gain performance is a perfect solution for metering and remote monitoring applications; it can deliver longer range than smaller chip antennas.

## 2. Key Antenna Performance Indicators

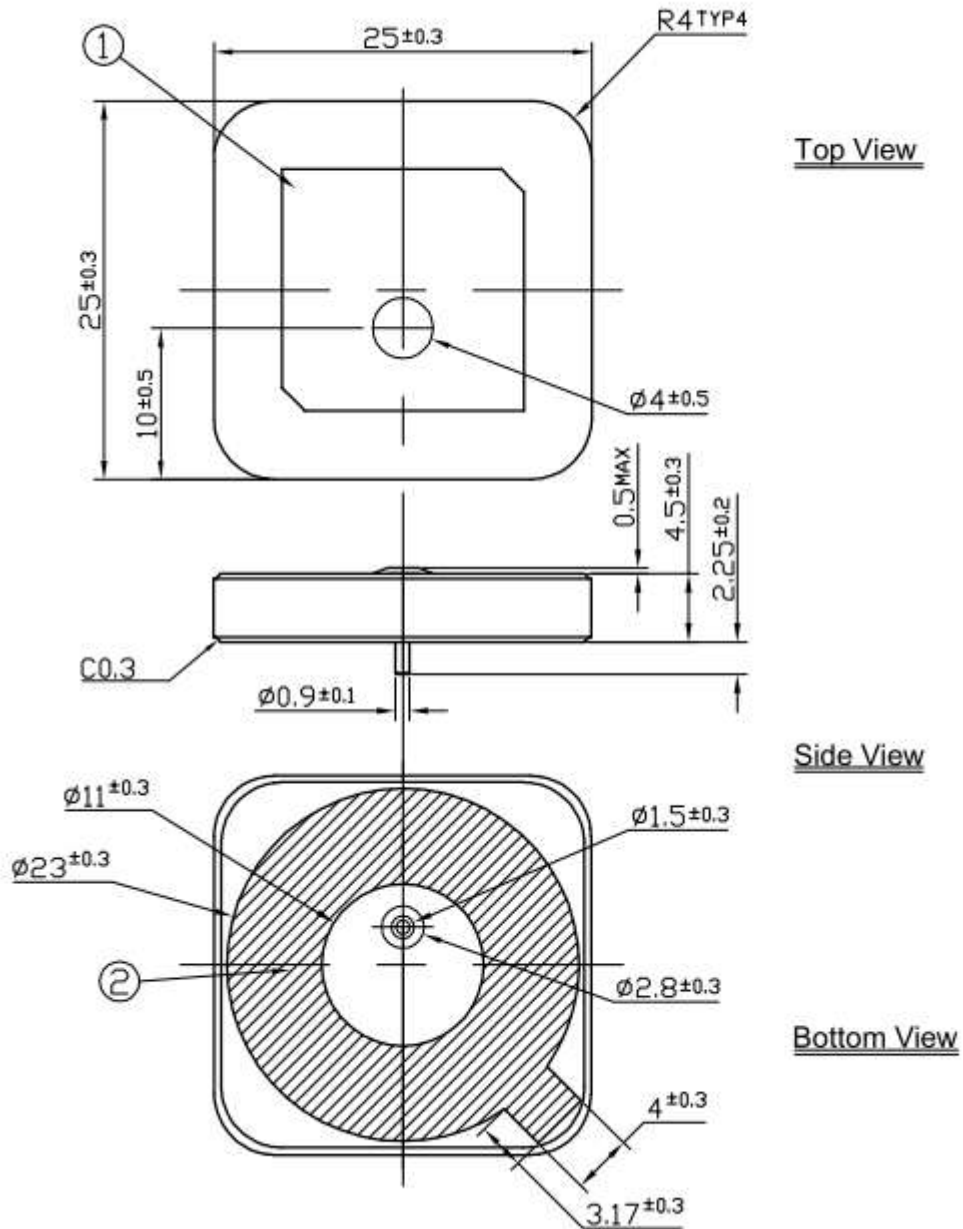
### Original Patch Specification tested on 50\*50mm ground plane

No	Parameter	Specification	Notes
1	Center Frequency	2482MHz	with 50*50mm GND Plane
2	Bandwidth	85 MHz min	Return Loss $\leq -10\text{dB}$
3	VSWR	2.0 max	Center Frequency
4	Gain at Zenith	+5.0dBic typ.	Center Frequency
5	Gain at 10° Elevation	-1.0dBic typ.	Center Frequency
6	Axial Ratio	3 dB Max	Center Frequency
7	Polarization	RHCP	
8	Impedance	50Ω	
9	Frequency Temp Coefficient (Tf)	0±20ppm/°C	-40°C to +105°C
10	Operating Temperature	-40°C to +105°C	


**\*Changes in user groundplane and environment will have an effect on the antennas performance**

### 3. Mechanical Specifications

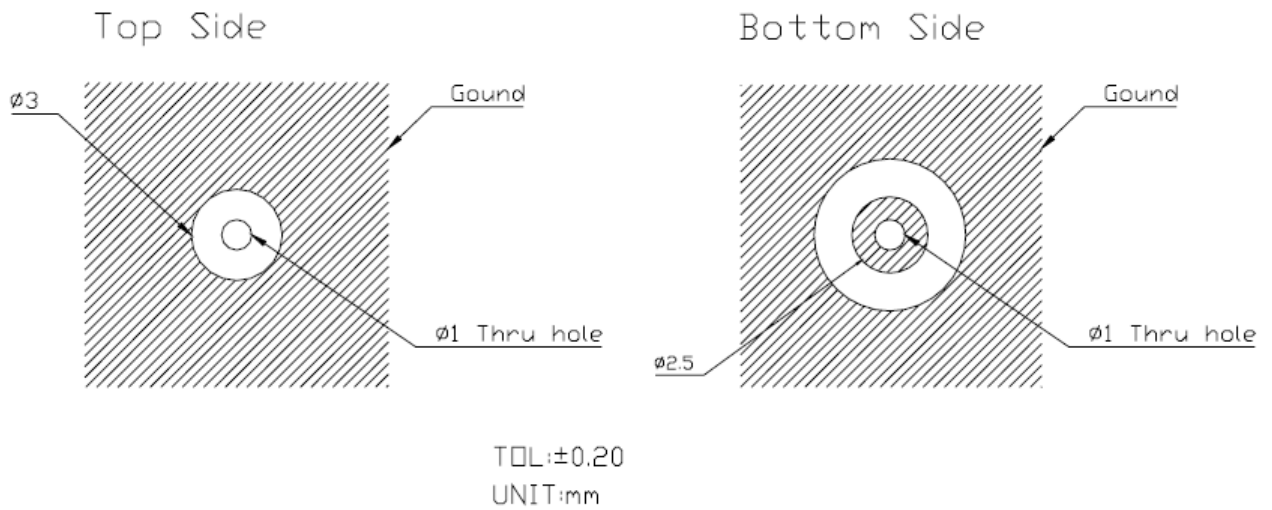
#### 3.1 Dimensions and Drawing



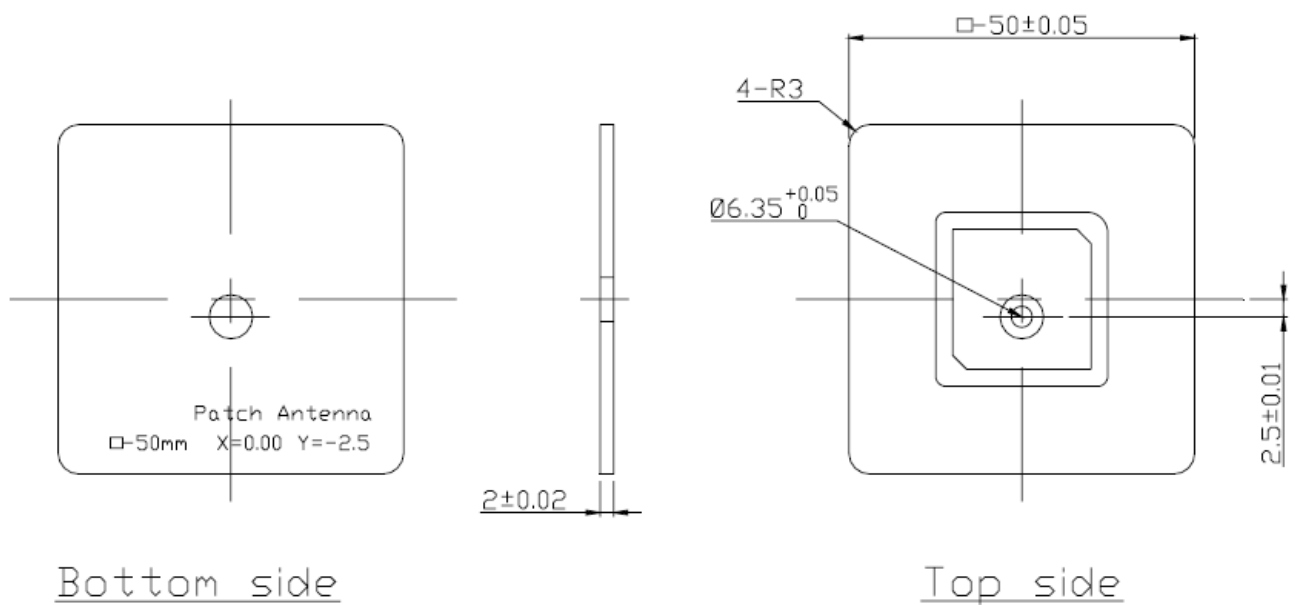
	Name	Material	Finish	QTY
1	WLP.2450 Patch 25x25x4	Ceramic	Clear	1
2	Double Sided Adhesive	NITTO 5015	White Liner	1

NOTE:  
1. Double Sided Adhesive 

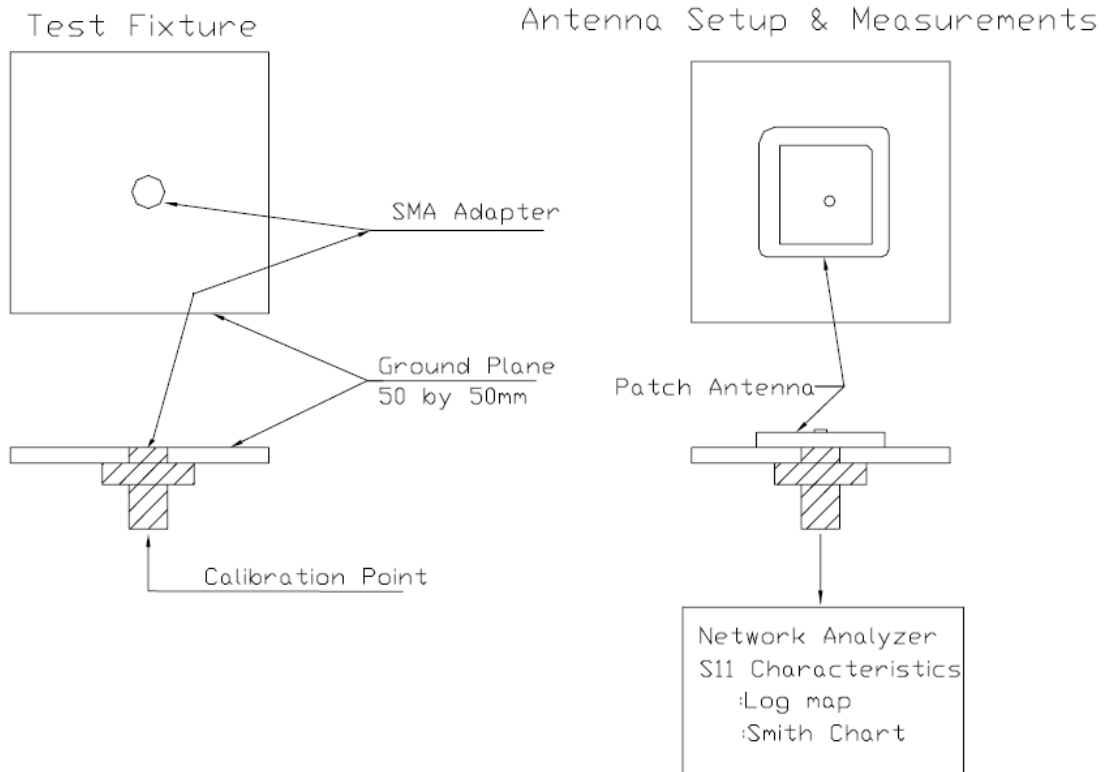
### 3.2 Layout Dimensions



### 3.3 Ground Plane Dimension

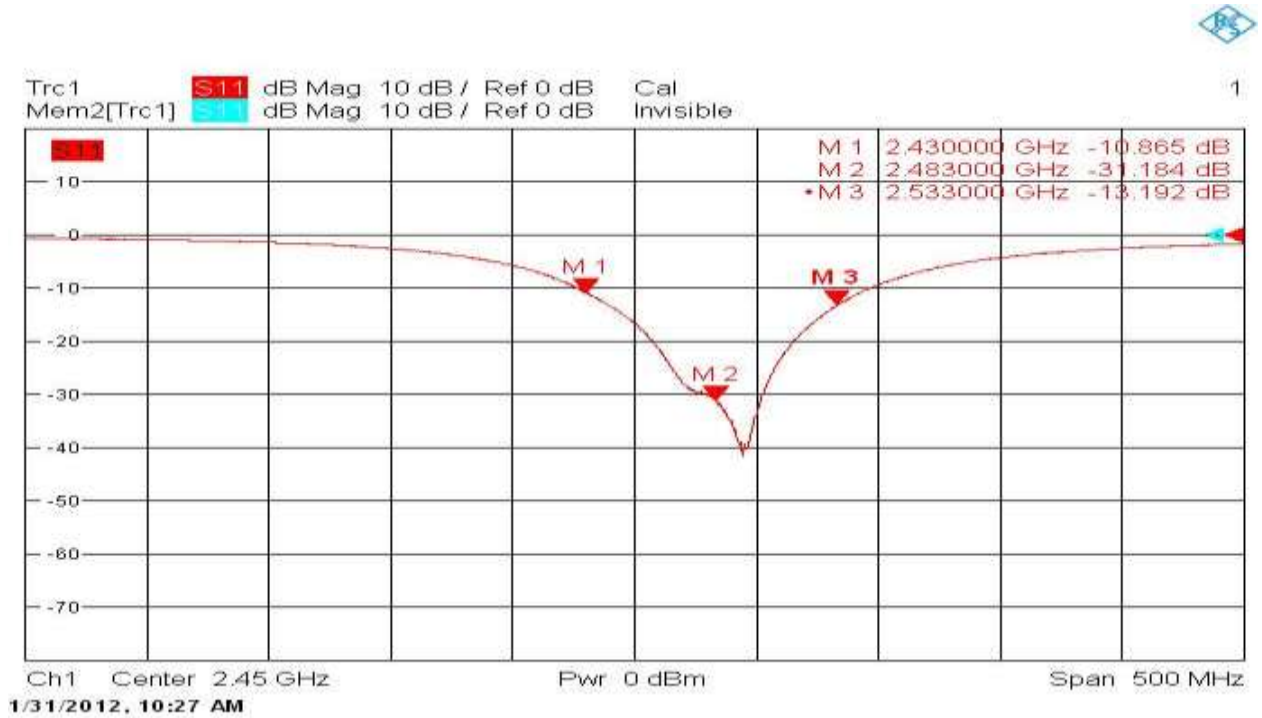


### 3.4 Test Fixture Antenna & Performance Measurements

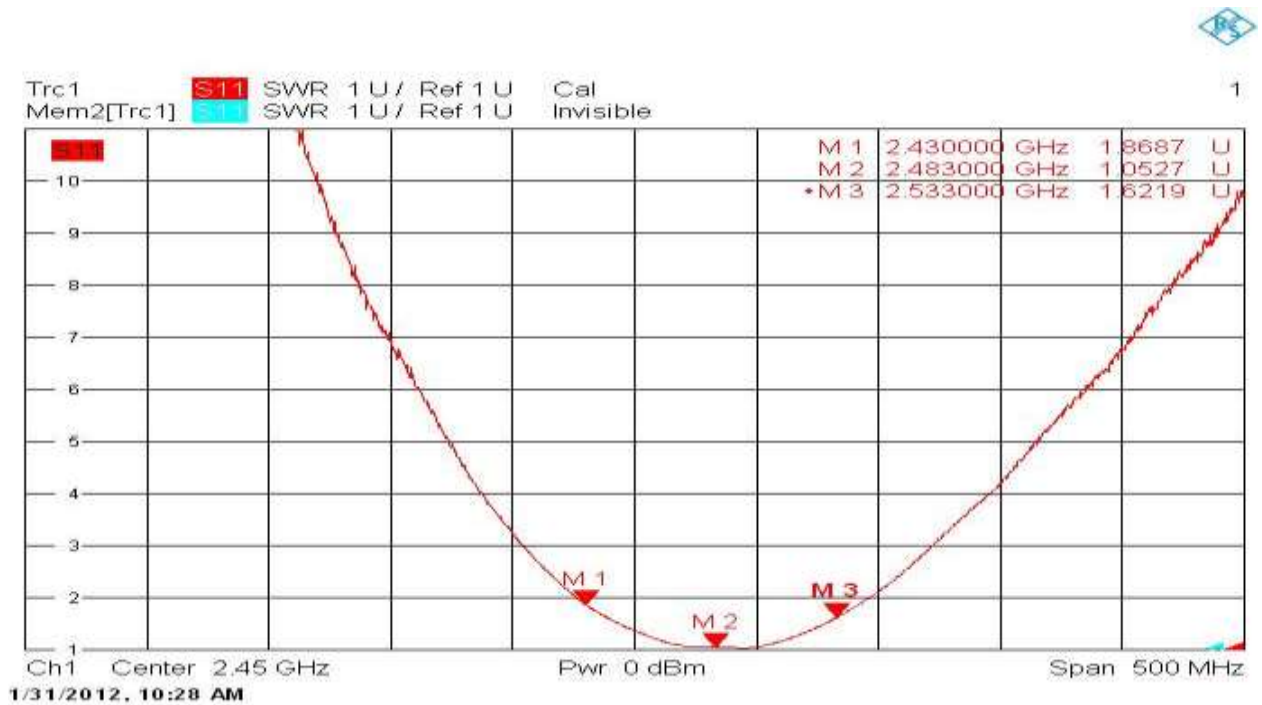


## 4. Performance Measurement

### 4.1 Antenna S11(Return Loss)



### 4.2 VSWR



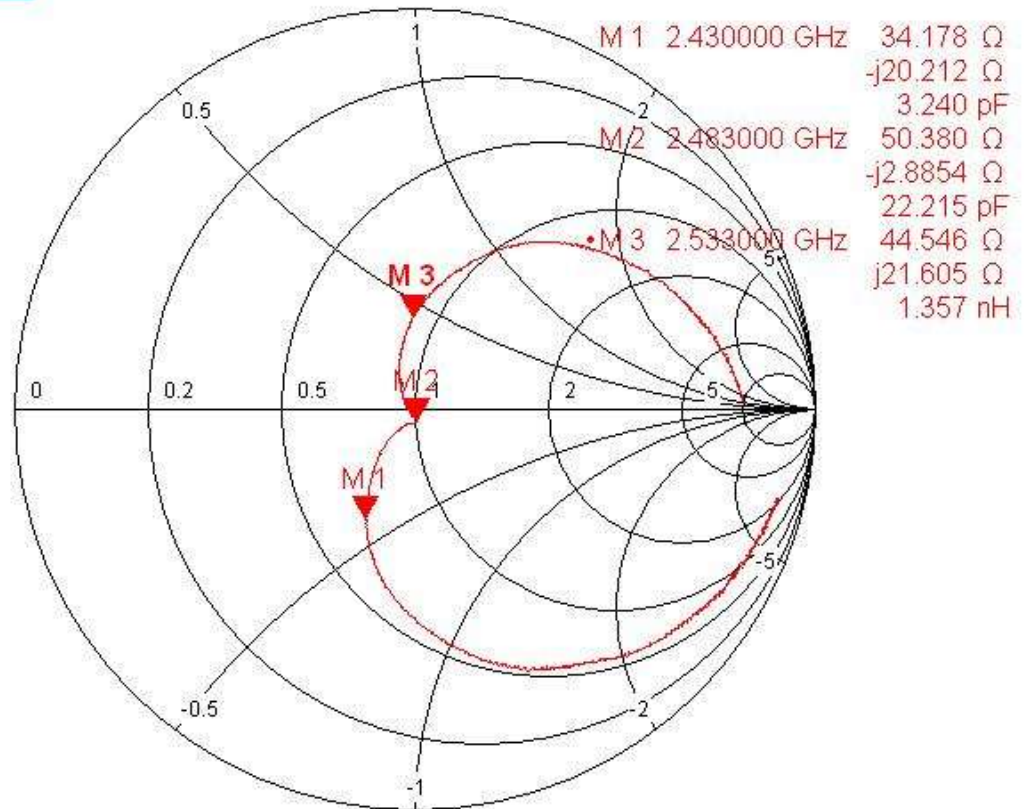
### 4.3 Antenna Smith Chart (Impedance)



Trc1 S11 Smith Ref 1 U Cal  
 Mem2[Trc1] S11 Smith Ref 1 U Invisible

1

S11

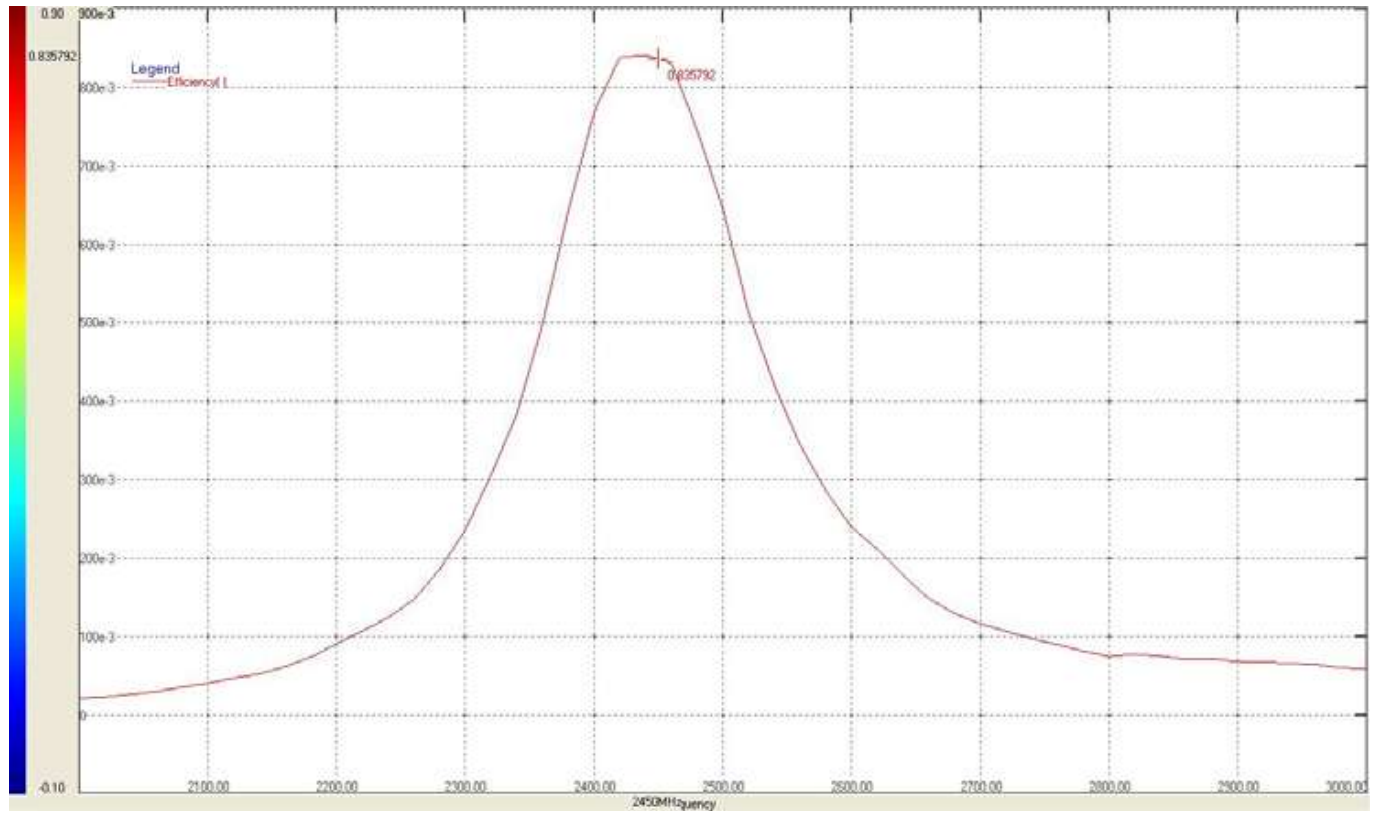


Ch1 Center 2.45 GHz  
 1/31/2012, 10:27 AM

Pwr 0 dBm

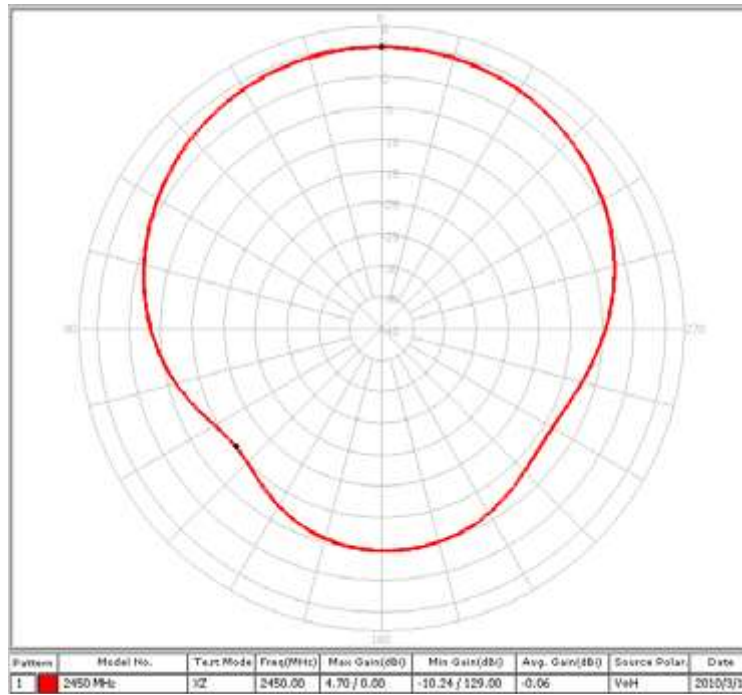
Span 500 MHz

## 4.4 Efficiency

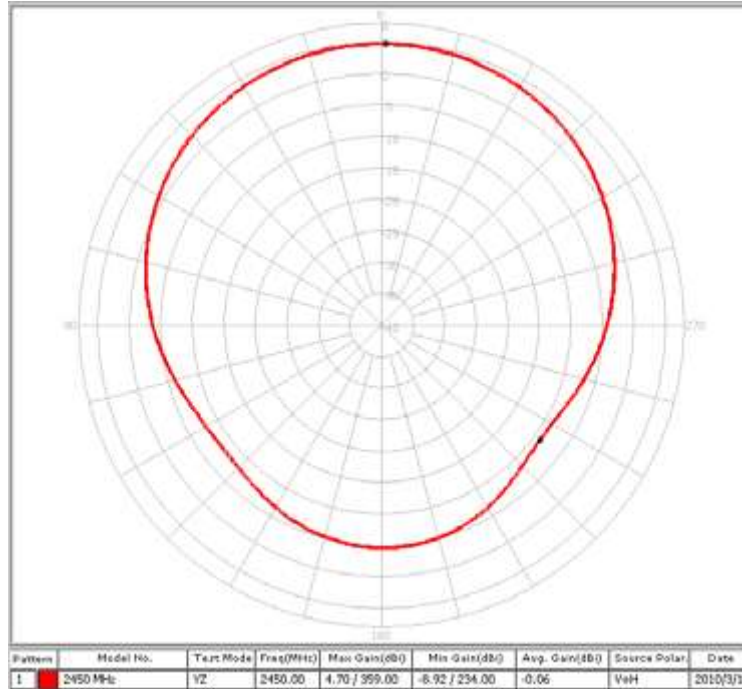




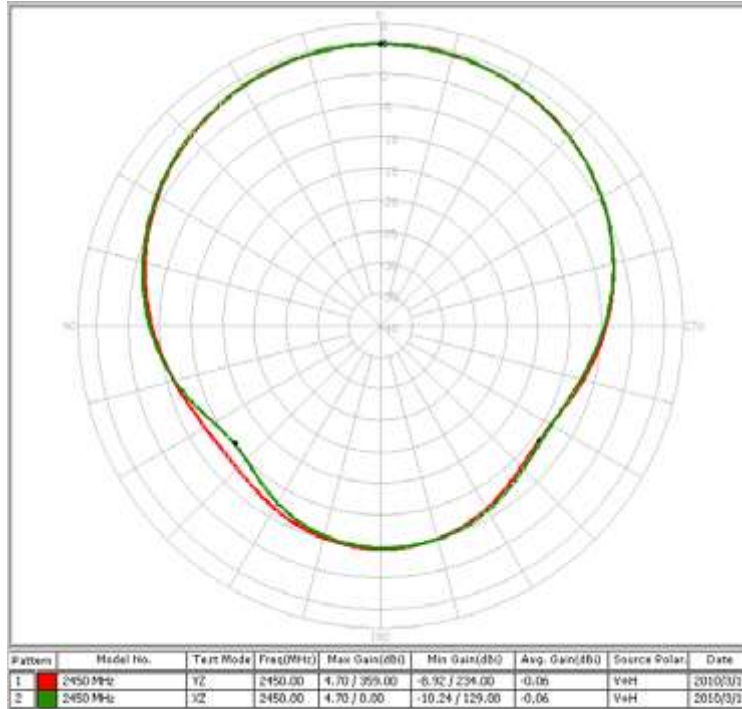
## 4.5 Antenna Gain



**XZ-Plane**



**YZ-Plane**



**XY Plane**

## 5. Packaging

- Per Tray: 50 pieces
- Per Carton(Inside Box) – 4 Trays = 200 pieces
- Outer Carton (Outside Box)- 4 Cartons = 800 pieces

