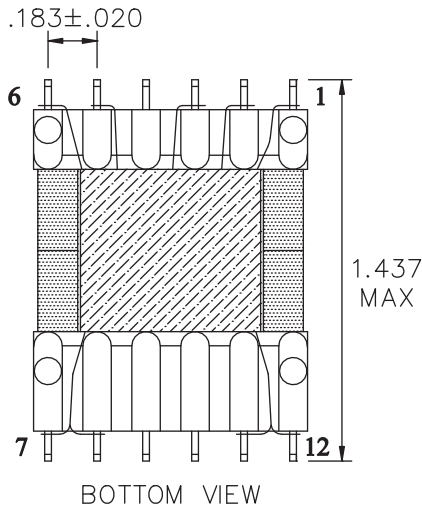
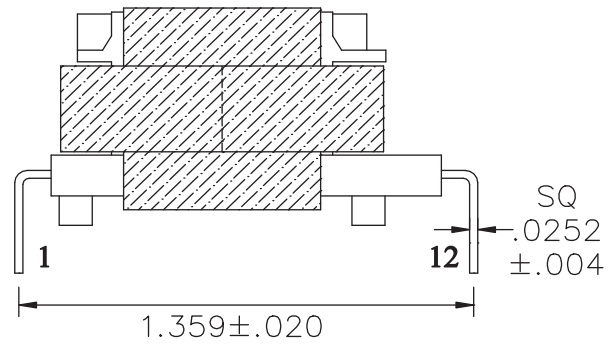
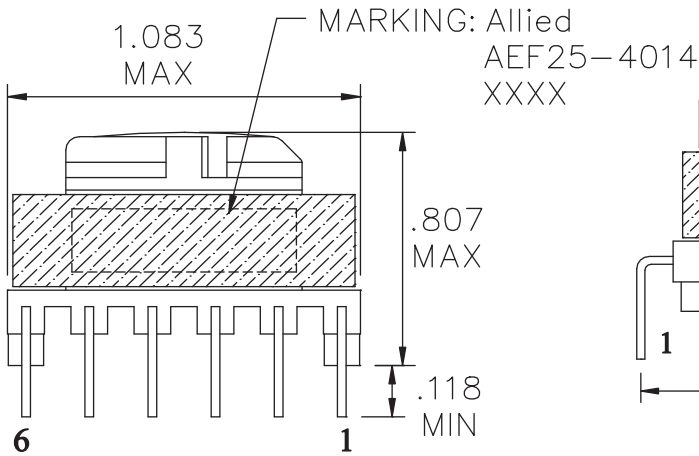


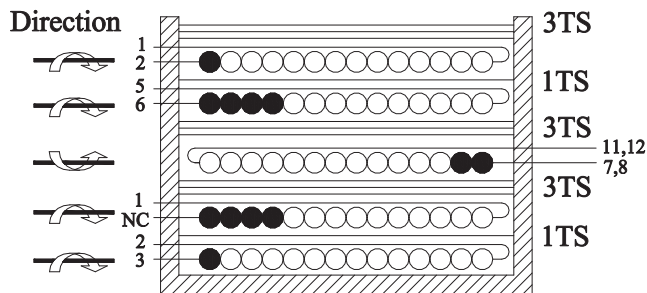
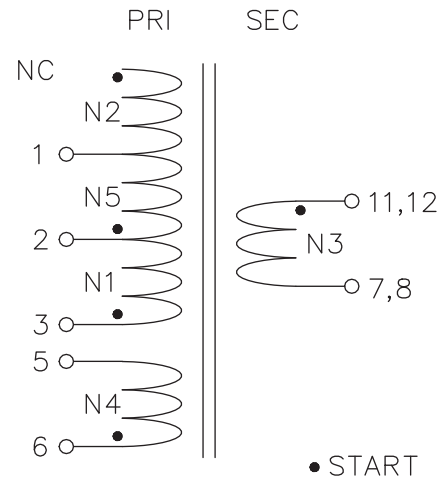


MARKING:

DIMENSION:UNIT: inch



SCHEMATIC



| | |
|---------------|----------------------|
| N5: 2-1 | 0.450*1*25TS |
| N4: 6-5 | 0.450*4*7 TS |
| N3: 7,8-11,12 | 0.450*2*12TS (TEX-E) |
| N2: NC-1 | 0.290*4*11TS |
| N1: 3-2 | 0.450*1*26TS |

NOTE:

1. : Clockwise
2. : Anti-Clockwise
3. CORE FIX TAPE 2TS.



ELECTRICAL SPECIFICATIONS: ALL TEST@25°C

1. INDUCTANCE: 10KHz/1V (HP-4284A or MICROTTEST-6377)

3 - 1 : 347 uH ±10%

2. LEAKAGE INDUCTANCE: 100KHz/1V (HP-4284A or MICROTTEST-6377)

3 - 1 : 8.66 uH MAX. (SHORTED PIN 5,6,7,8,11,12)

3. DCR: CH-502A (@25°C)

3 - 1 : 0.42 OHM MAX.

6 - 5 : 20.6 mOHM MAX.

11,12 - 7,8 : 55.0 mOHM MAX. (SHORTED 7,8 & SHORTED 11,12)

4. HI-POT TEST :

PIN 1,2,3,5,6 TO PIN 7,8,11,12 : AC 3000V 3mA FOR 1 SECOND.

5. GAP : CORE CENTER GAP.

6. OPERATION TEMP RANGE : -20°C ~ +85°C including temp rise.