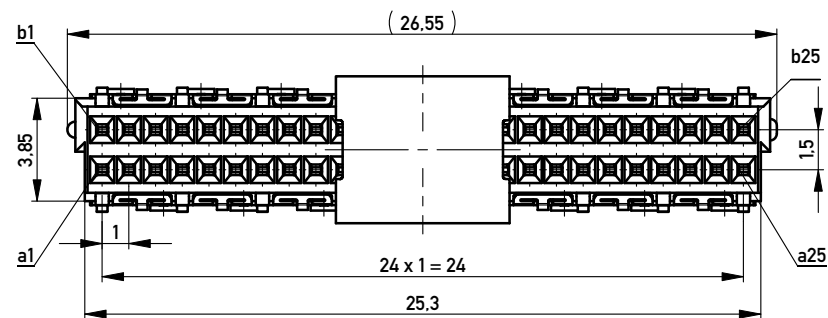
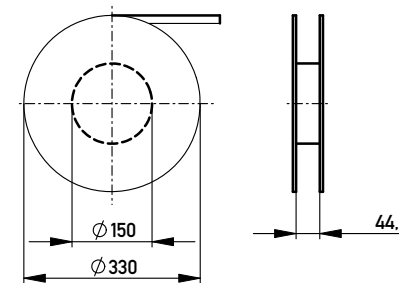
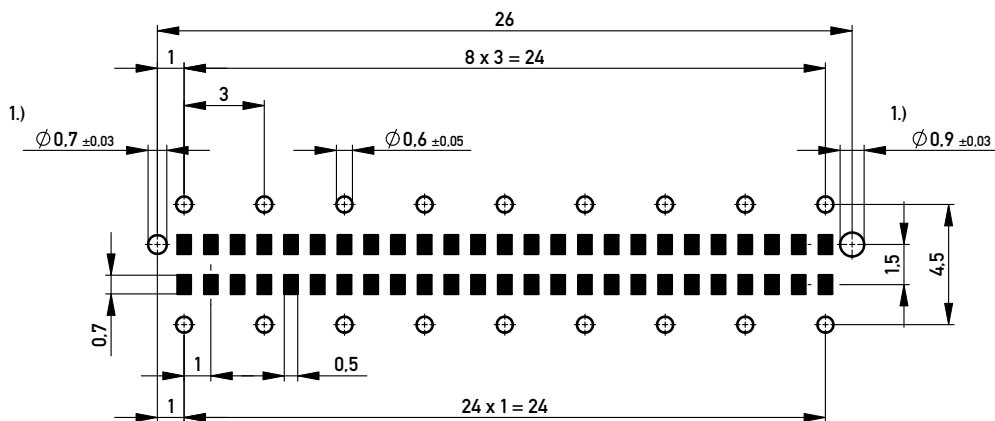


Verpackt in Gurtverpackung - *Tape on Reel Packaging*
 Verpackungseinheit: 400 Stück - *Packaging unit: 40 pcs*



Leiterplatten-Layout Vorschlag / *PCB-Layout Proposal*



Anforderungsstufe 1
Performance Level 1

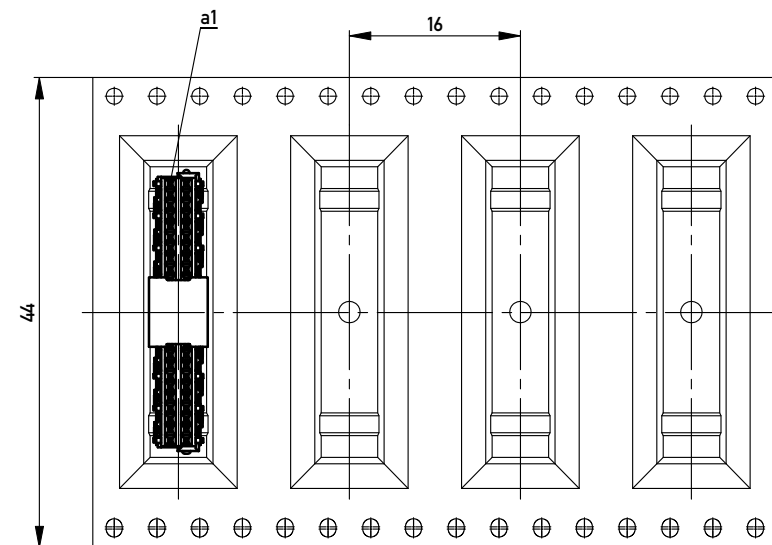
Kontaktbereich vergoldet
Mating Area gold plating

Anschlussbereich verzinkt 4-6 µm
Terminal Area 4-6 µm tin plating

Koplanarität der Anschlüsse ≤ 0.1 mm
Coplanarity Area of Termination ≤ 0.1 mm

1.) Durchmesser des Bohrers / *Drill tool*

Abspulrichtung - *Reel off Direction*



Information:		Tolerances		Scale	5:1
All rights reserved. Only for Information. To ensure that this is the latest version of this drawing, please contact one of the ERNI companies before using.		All Dimensions in mm		Designation	
Subject to modification without prior notice. Drawing will not be updated.				Federleiste 4mm THR, 50 polig Female 4mm THR, 50 contacts	
www.ERNI.com		144663		I	
i	21.09.2010	Date		A3	
Index	Date	Class		MSPEED	

Copyright by ERNI GmbH. Proprietary notice pursuant to ISO 16106 to be observed.