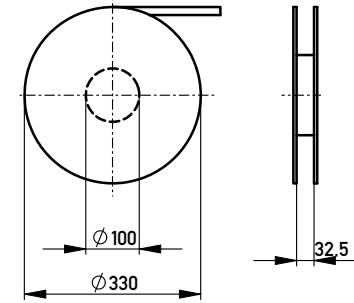
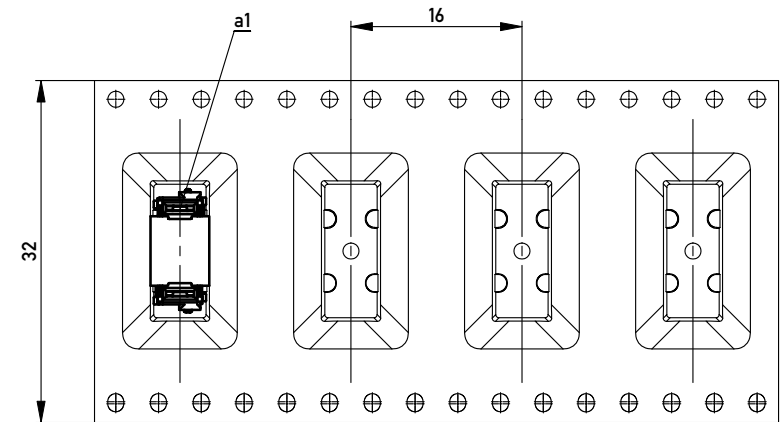
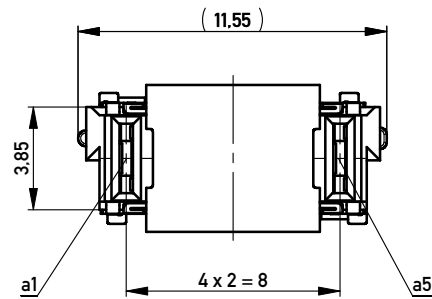


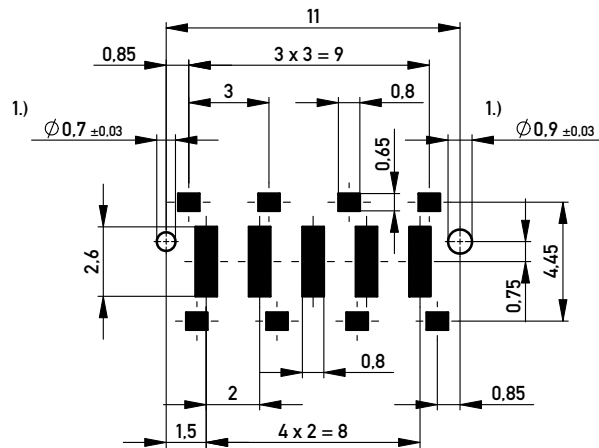
Verpackt in Gurtverpackung - *Tape on Reel Packaging*
 Verpackungseinheit: 420 Stück - *Packaging unit: 420 pcs*



Abspulrichtung - *Reel off Direction* →



Leiterplatten-Layout Vorschlag / *PCB-Layout Proposal*



1.) Durchmesser des Bohrers / *Drill tool*

Anforderungsstufe 1
Performance Level 1

Kontaktbereich vergoldet
Mating Area gold plating

Anschlussbereich verzinkt 4-6µm
Terminal Area 4-6µm tin plating

Koplanarität der Anschlüsse ≤ 0.1mm
Coplanarity Area of Termination ≤ 0.1mm

Copyright by ERNI GmbH
 Proprietary notice pursuant to ISO 16106 to be observed.

| | | | | | |
|--|------------|--|----------------------|--|--------|
| Information: | | Tolerances | All Dimensions in mm | Scale | 5:1 |
| All rights reserved. Only for Information. To ensure that this is the latest version of this drawing, please contact one of the ERNI companies before using. | | Subject to modification without prior notice. Drawing will not be updated. | | Designation | |
| | | www.ERNI.com | | Federleiste SMD, Powerm. 6mm Female Con. SMD, Powerm. 6mm | |
| f | 12.10.2010 | | | 214547 | |
| Index | Date | | | I A3 | |
| | | | | Class | MSPEED |