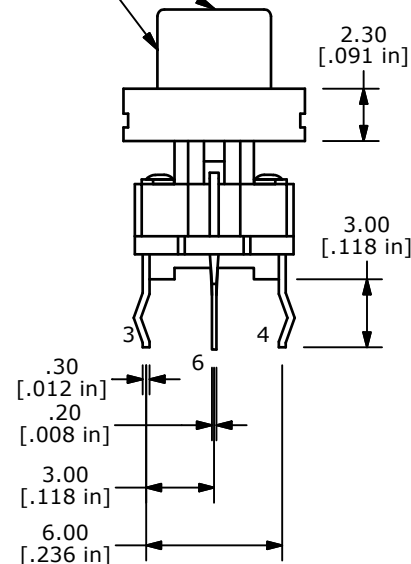
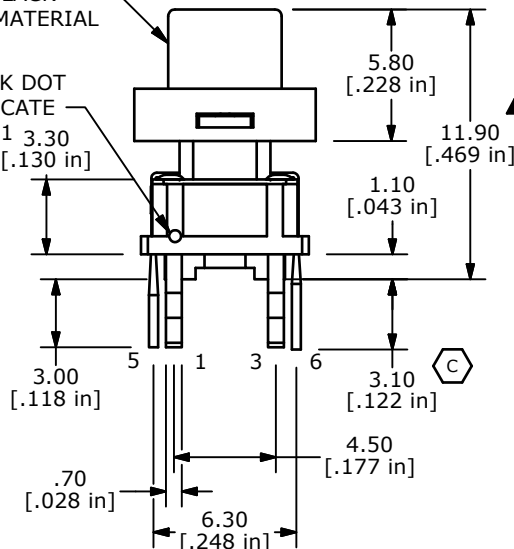
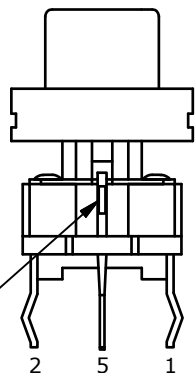


▲ THESE SURFACES TO BE FREE OF ALL VOIDS AND BLEMISHES

▲ CAP COLOR: BLACK PES MATERIAL

▲ WHITE INK DOT TO INDICATE PIN 1

▲ DOT TO INDICATE CATHODE SIDE



- NOTES:
1. ALL DIMENSIONS IN MM
  2. GENERAL TOLERANCE: X.X=±0.4 X.XX=±0.25
  3. RATING: 50mA, 12VDC
  - ▲ 4. TRAVEL: 0.2 ±0.1
  5. OPERATING FORCE: 160±50gf
  6. CONTACT RESISTANCE: 100m-Ohms MAX
  7. CONTACT MATERIAL: SILVER
  8. OPERATING LIFE: 500,000 CYCLES
  9. INSULATION RESISTANCE: 100M-Ohms MIN
  10. DIELECTRIC STRENGTH: 500VDC FOR 1 MINUTE
  - ▲ 11. LED COLOR: GREEN
  12. OPERATING TEMPERATURE: -20° C TO 70° C
  13. 2002/95/EC (ROHS) COMPLIANT
  14. ▲ DENOTES CRITICAL PARAMETER

▲ LED SPECS	UNITS	GREEN LED
FORWARD CURRENT	mA	20
FORWARD VOLTAGE	V	2.1 TYP. - 2.5 MAX
LUMINOUS INTENSITY	mcd	800 TYP.

REV	PCR NO	DESCRIPTION	DATE	BY
E	20196	ADD SURFACE NOTE	10/05/11	BGL
D	20065	CORRECT GRAPHICS ORIENTATION	07/19/11	BMA
C	20002	ADD DOT MARKINGS & DIM WAS 5.0	6/14/11	BGL



TITLE TL1265GQSBLK-PWR

SCALE	DATE	DR	DWG	REV
3:1	1/12/2011	BA	B200022	E

THE INFORMATION CONTAINED IN THIS DOCUMENT IS PROPRIETARY TO E-SWITCH AND IS NOT TO BE COPIED OR TRANSFERRED