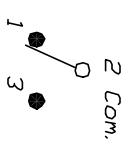


RECOMMENDED P.C.B. LAYOUT



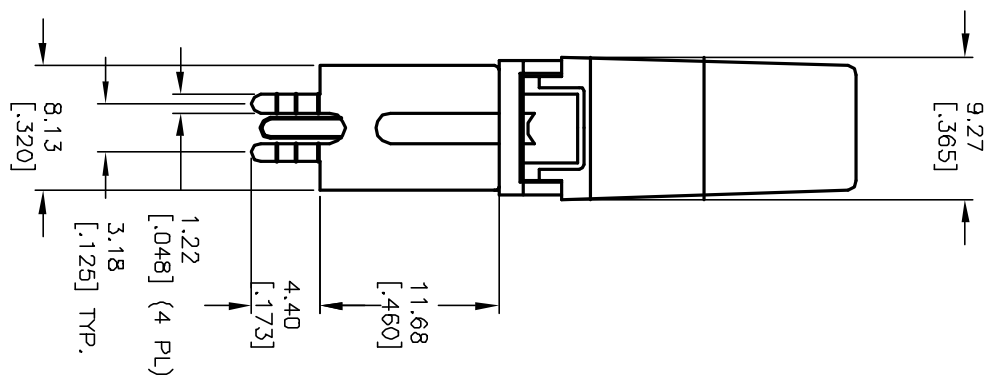
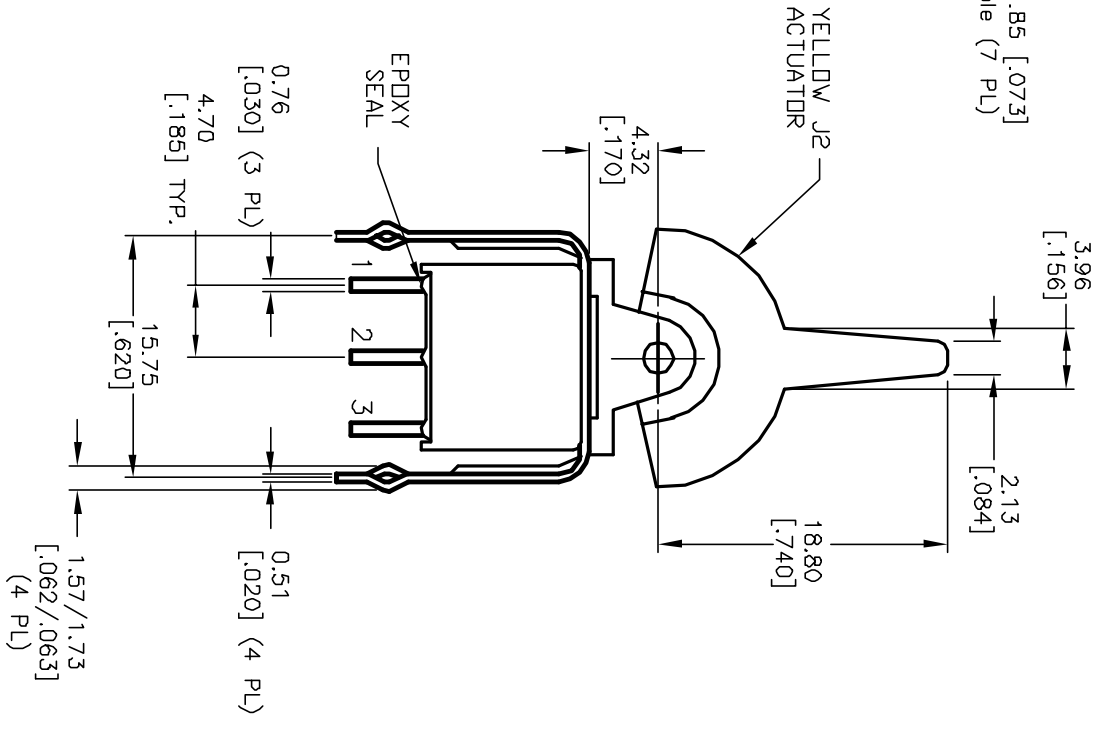
CIRCUIT: SPDT

SWITCH FUNCTION			
PDS. 1	PDS. 2	PDS. 3	
(DN)	OFF	(DN)	
2-3	OPEN	2-1	

() = Momentary

NOTES:

1. ALL DIMENSIONS IN MM [INCH]
2. GENERAL TOLERANCE: X.X = ±0.4
X.XX = ±0.25
3. TERM. NOS. FOR REFERENCE ONLY.
4. RATING: 0.4VA max. @20V max. (AC or DC)



E-SWITCH®

REV. A		ECN No. 11571		RELEASED FOR PRODUCTION		DATE 7/16/01		CHKD CJB		TITLE 300A WSP-4 J2 (YEL) VSS21 R E	
SCALE 2:1		DATE 7/16/01		DR CJB		DWG T301497		REV A		THE INFORMATION CONTAINED IN THIS DOCUMENT IS PROPRIETARY TO E-SWITCH AND IS NOT TO BE COPIED OR TRANSMITTED	