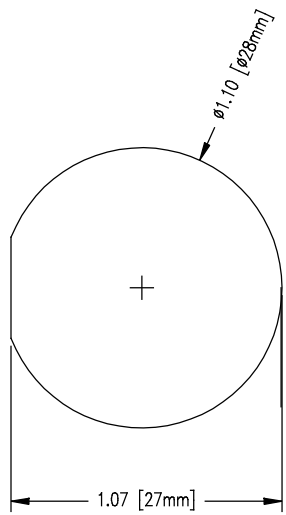
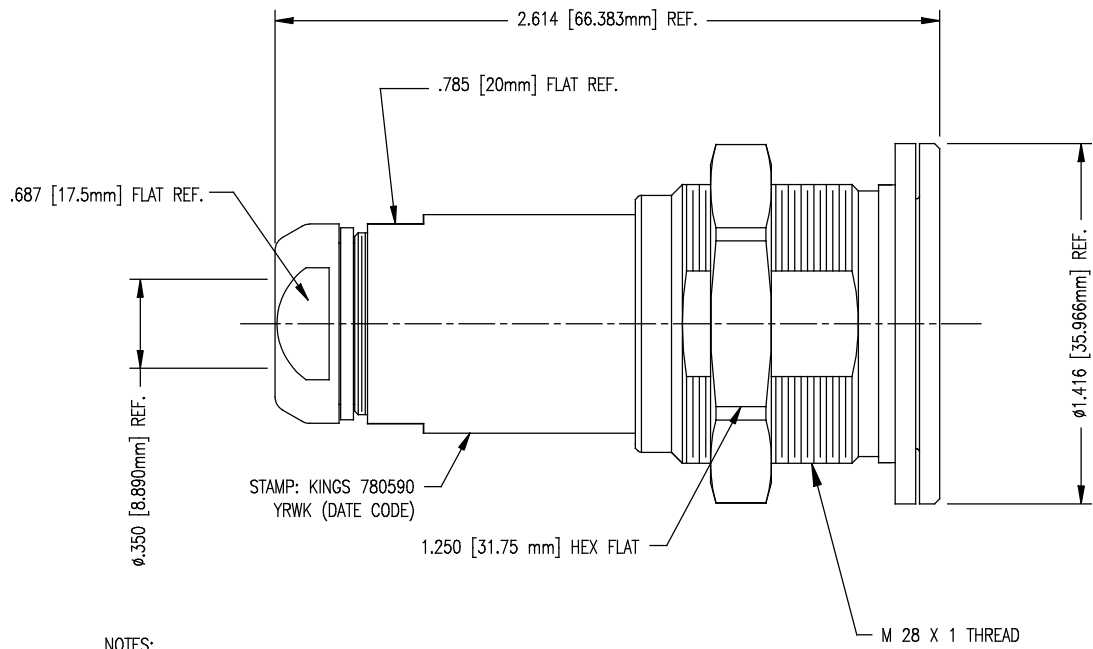


DASH NO.	M CODE	MADE FROM
----------	--------	-----------

GSD

REVISIONS	
ISSUE	CHANGES
0	ER 39851 HVN 03/21/07

780590



MOUNTING HOLE

NOTES:

1. FOR USE WITH 90 CABLE GROUP (BELDEN 7783A).
2. INTERFACE PER KINGS STANDARD ES-52, FIGURE 1.
3. FOR CABLING INSTRUCTIONS SEE 3-651 (CONVENTIONAL METHOD) OR 3-711 (PRE-PREPARED DIMENSIONS).
4. USE CRIMPING TOOL KTH-1000 W/ DIE KTH-2267 (CONTACT AND INNER SLEEVE), KTH-2260 (OUTER SLEEVE).

5. MATERIALS:

INSULATORS: TEFLON, ASTM-D4894
 GASKETS: SILICONE RUBBER, A-A-59588
 SPACER AND CENTER CONTACT TIP: DELRIN
 K-GRIP SLEEVES: COM BRONZE, ASTM-B140
 FINGERS BODY & ENTRY BODY: BER. COPPER, ASTM-B196
 CENTER CONTACT: BER. COPPER, ASTM-B196
 ALL OTHER METAL PARTS: BRASS, ASTM-B16

6. FINISHES:

CENTER & INTERMEDIATE CONTACTS: GOLD, ASTM-B488
 ALL OTHER METAL PARTS: KINGS TARNISH RESISTANT NICKEL FINISH (TR-5)

7. ELECTRICAL CHARACTERISTICS:

NOMINAL IMPEDANCE: 75 OHMS
 FREQUENCY RANGE: DC-3.0 GHz
 VOLTAGE BREAKDOWN: CENTER CONDUCTOR/INNER GROUND: 1500 VRMS
 INNER GROUND/OUTER GROUND: 500 VRMS

780590 SD

SCALE 2 : 1

APPROX SURFACE AREA

USED ON

REF:

ITL, PLUG, BKHD

DRAWN HVN DATE 03/21/07

DESIGN HVN DATE 03/20/06

APPR. DATE

KINGS
ELECTRONICS CO., INC.

ROCK HILL, SOUTH CAROLINA 29730

GSD

780590