

---

## Features

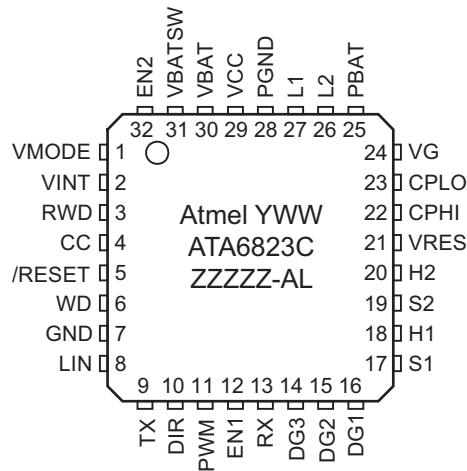
---

- PWM and direction-controlled driving of four externally-powered NMOS transistors
- A programmable dead time is included to avoid peak currents within the H-bridge
- Integrated charge pump to provide gate voltages for high-side drivers and to supply the gate of the external battery reverse protection NMOS
- 5V/3.3V regulator and current limitation function
- Reset derived from 5V/3.3V regulator output voltage
- Sleep mode with supply current of typically < 45µA, wake-up by signal on pins EN2 or on LIN interface
- A programmable window watchdog
- Battery overvoltage protection and battery undervoltage management
- Overtemperature warning and protection (shutdown)
- LIN 2.1 compliant
- 3.3V/5V regulator with trimmed band gap
- QFN32 package



## 2. Pin Configuration

Figure 2-1. Pinning QFN32



Note: YWW Date code (Y = Year - above 2000, WW = week number)  
 ATA6823 Product name  
 ZZZZ Wafer lot number  
 AL Assembly sub-lot number

Table 2-1. Pin Description

| Pin | Symbol | I/O | Function   |
|-----|--------|-----|--|
| 1   | VMODE  | I   | Selector for $V_{CC}$ and interface logic voltage level                    |
| 2   | VINT   | I/O | Blocking capacitor 220nF/10V/X7R   |
| 3   | RWD    | I   | Resistor defining the watchdog interval                                    |
| 4   | CC     | I/O | RC combination to adjust cross conduction time                             |
| 5   | /RESET | O   | Reset signal for microcontroller   |
| 6   | WD     | I   | Watchdog trigger signal  |
| 7   | GND    | I   | Ground for chip core   |
| 8   | LIN    | I/O | LIN-bus terminal   |
| 9   | TX     | I   | Transmit signal to LIN bus from microcontroller                            |
| 10  | DIR    | I   | Defines the rotation direction for the motor                               |
| 11  | PWM    | I   | PWM input controls motor speed   |
| 12  | EN1    | I   | Microcontroller output to keep the chip in active mode                     |
| 13  | RX     | O   | Receive signal from LIN bus for microcontroller                            |
| 14  | DG3    | O   | Diagnostic output 3  |
| 15  | DG2    | O   | Diagnostic output 2  |
| 16  | DG1    | O   | Diagnostic output 1  |
| 17  | S1     | I/O | Source voltage H-bridge, high-side 1                                       |
| 18  | H1     | O   | Gate voltage H-bridge, high-side 1   |
| 19  | S2     | I/O | Source voltage H-bridge, high-side 2                                       |
| 20  | H2     | O   | Gate voltage H-bridge, high-side 2   |
| 21  | VRES   | I/O | Gate voltage for reverse protection NMOS, blocking capacitor 470nF/25V/X7R |

**Table 2-1. Pin Description (Continued)**

| Pin | Symbol | I/O | Function   |
|-----|--------|-----|--|
| 22  | CPHI   | I   | Charge pump capacitor 220nF/25V/X7R  |
| 23  | CPLO   | O   |  |
| 24  | VG     | I/O | Blocking capacitor 470nF/25V/X7R   |
| 25  | PBAT   | I   | Power supply (after reverse protection) for charge pump and H-bridge         |
| 26  | L2     | O   | Gate voltage H-bridge, low-side 2  |
| 27  | L1     | O   | Gate voltage H-bridge, low-side 1  |
| 28  | PGND   | I   | Power ground for H-bridge and charge pump                                    |
| 29  | VCC    | O   | 5V/100 mA supply for microcontroller, blocking capacitor 2.2 $\mu$ F/10V/X7R |
| 30  | VBAT   | I   | Supply voltage for IC core (after reverse protection)                        |
| 31  | VBATSW | O   | 100 $\Omega$ PMOS switch from V <sub>VBAT</sub>                              |
| 32  | EN2    | I   | Enable input   |

## 3. Functional Description

### 3.1 Power Supply Unit with Supervisor Functions

#### 3.1.1 Power Supply

The IC is supplied by a reverse-protected battery voltage. To prevent it from destruction, proper external protection circuitry has to be added. It is recommended to use at least a capacitor combination of storage and HF caps behind the reverse protection circuitry and closed to the VBAT pin of the IC (see [Figure 1-1 on page 2](#)).

A fully-internal low-power and low-drop regulator, stabilized by an external blocking capacitor provides the necessary low-voltage supply needed for the wake-up process. The low-power band gap reference is trimmed and is used for the bigger VCC regulator, too. All internal blocks are supplied by the internal regulator.

Note: The internal supply voltage  $V_{INT}$  must not be used for any other supply purpose!

Nothing inside the IC except the logic interface to the microcontroller is supplied by the 5V/3.3V VCC regulator.

A power-good comparator checks the output voltage of the  $V_{INT}$  regulator and keeps the whole chip in reset as long as the voltage is too low.

There is a high-voltage switch which brings out the battery voltage to the pin VBATSW for measurement purposes. This switch is switched ON for VCC = HIGH and stays ON in case of a watchdog reset going to sleep mode, VBATSW turns OFF. The signal can be used to switch on external voltage regulators, etc.

#### 3.1.2 Voltage Supervisor

This block is intended to protect the IC and the external power MOS transistors against overvoltage on battery level and to manage undervoltage on it.

Function: in case of both overvoltage alarm ( $V_{THOV}$ ) and of undervoltage alarm ( $V_{THUV}$ ) the external NMOS motor bridge transistors will be switched off. The failure state will be flagged via DG2. No other actions will be carried out. The voltage supervision block is connected to VBAT and filtered by a first-order low pass with a corner frequency of typical 15kHz.

#### 3.1.3 Temperature Supervisor

There is a temperature sensor integrated on-chip to prevent the IC from overheating due to a failure in the external circuitry and to protect the external NMOSFET transistors.

In case of detected overtemperature (150°C), the diagnostic pin DG3 will be switched to "H" to signalize this event to the microcontroller. It should undertake actions to reduce the power dissipation in the IC. In case of detected overtemperature (165°C), the  $V_{CC}$  regulator and all drivers including the LIN transceiver will be switched OFF immediately and /RESET will go LOW.

Both temperature thresholds are correlated. The absolute tolerance is  $\pm 10^\circ\text{C}$  and there is a built-in hysteresis of about  $10^\circ\text{C}$  to avoid fast oscillations. After cooling down below the  $155^\circ\text{C}$  threshold; the IC will go into active mode.

The LIN interface has a separate thermal shutdown with disabled the low-side driver at typically  $165^\circ\text{C}$ .

### 3.2 Sleep Mode

To be able to guarantee the low quiescent current of the inactive IC, a sleep mode is established. In sleep mode it is possible to wake-up the IC by using the pins EN2 or LIN. In sleep mode, the following blocks are active:

- Band gap
- Internal 5V regulator (VINT) with external blocking capacitor of 220nF
- Input structure for detecting the EN2 pins threshold
- Wake-up block of the LIN receive part

### 3.3 Wake-up and Sleep Mode Strategy

The IC has two modes: Sleep and Active. The change between the modes is described below.

The default state after power-on is active mode.

The wake-up procedure brings the IC from a standby mode (sleep) to an active mode (active). The internal 5V supply VINT, the EN2 pin input structure and a certain part of the LIN receiver are permanently active to ensure a proper startup of the system.

The *Go to Active* and *Go to Sleep* procedures are implemented as follows:

- Go to Active by activating pin EN2

The input EN2 is intended as a switch-on pin from an external signal. Its input structure consists of a comparator with built-in hysteresis. It is ESD-protected by diodes against GND and  $V_{VBAT}$ ; for this reason the input voltage level must be positive and not higher than  $V_{VBAT}$ .

Pulling the EN2 pin up to the  $V_{VBAT}$  level will drive the IC into active mode. EN2 is debounced with a time constant of 20 $\mu$ s, based on a 100 kHz clock.

- Go to Active using the LIN interface

The second possibility for wake-up can be performed using the LIN transceiver. In sleep mode, the LIN receiver is partially active.

The wake-up by LIN requires 2 steps:

1. If the voltage on pin LIN is below a value of  $V_{DATwake}$  (about  $V_{VBAT} - 2V$ ) the receive part of the LIN interface is active (not to be confused with active mode of the whole IC). The active receive part is able to detect a valid LOW on the LIN pin.
2. If LIN = LOW during a filter time  $t_{wakeLIN}$  (typically 70 $\mu$ s) the IC will change to active mode. A short change back to HIGH during the filter time will reset the filter. This information is stored in a latch after entering active mode

If the change to active mode was caused by LIN, the EN1 or EN2 pins may remain LOW without disturbing the active mode.

- Stay in Active via EN1

The input EN1 is intended to keep the IC in active mode via a signal from the microcontroller. The input is ESD-protected by diodes against GND and VCC. Therefore, the input voltage must be positive and not higher than  $V_{CC}$ . EN1 cannot be used to switch from Sleep to Active because the VCC regulator is off in the sleep mode and  $V_{CC}$  will be zero.

- Go to Sleep

A HIGH to LOW transition at pin EN1 and a following permanent LOW for the time  $t_{gotosleep}$  (typically 20 $\mu$ s) switches the IC to sleep mode.

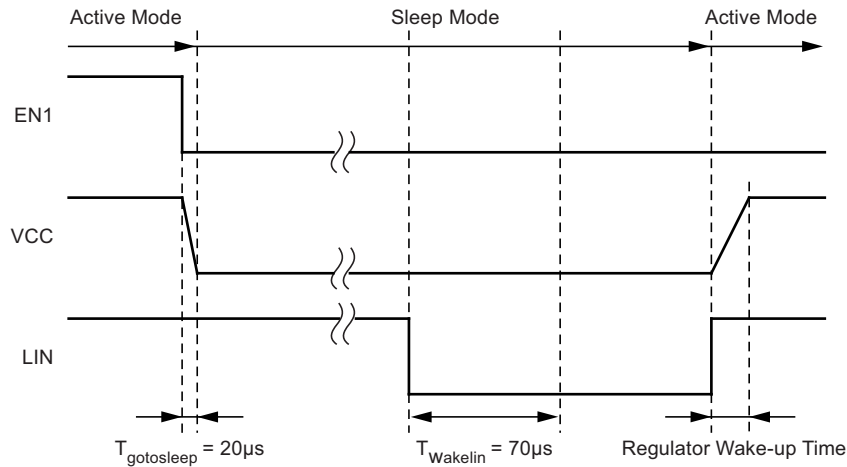
Figure 3-1 illustrates the wake-up by LIN. The status PREWAKE is characterized by the activated receive block of the LIN interface. After going to active mode, the  $V_{CC}$  regulator starts working.

*Go to Sleep* is possible with a valid HIGH to LOW transition at pin EN1 (permanent LOW for longer than  $t_{db}$ ) if EN1 was in a valid HIGH state (HIGH for longer than  $t_{db}$ ) before.

Switching characteristic of the outputs:

When the IC is set to SLEEP MODE by a “high to low” transition at pin EN1, the low-side transistors of the external H-bridge are switched on for a short time. This causes a shortcircuit current pulse in the bridge because one of the high-side transistors is usually on. The pulse length is similar to the one of the implemented short circuit detection time  $t_{sc}$ . For the selection of the external FETs it needs to be considered that in the case of a short circuit condition the current in the transistors will flow for a time  $t_{sc}$  with a maximum of 15 $\mu$ s according to Section 8. “Electrical Characteristics” on page 15, item 7.29. For the selection of the external FETs this short circuit behavior has to be taken into consideration, so that they will not be damaged in the event of a short circuit condition caused by a failure or caused by the described sleep mode switching.

**Figure 3-1. Wake-up by pin LIN**



### 3.4 5V/3.3V VCC Regulator

The 5V/3.3V regulator is fully integrated on-chip. It requires only a 2.2µF ceramic capacitor for stability and has 100mA current capability. Using the VMODE pin, the output voltage can be selected to either 5V or 3.3V. Switching of the output voltage during operation is not intended to be supported. The VMODE pin must be hard-wired to either VINT for 5V or to GND for 3.3V. The logic HIGH level of the microcontroller interface will be adapted to the VCC regulator voltage.

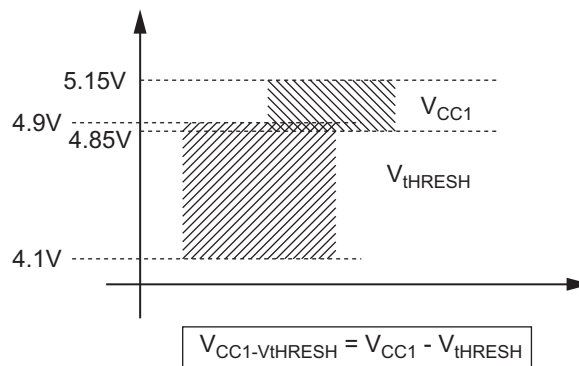
The output voltage accuracy is in general  $< \pm 3\%$ ; in the 5V mode with  $V_{BAT} < 9V$  it is limited to  $< 5\%$ .

To prevent destruction of the IC, the current delivered by the regulator is limited to maximum 100mA to 350mA. The delivered voltage will break down and a reset may occur.

Please note that this regulator is the main heat source on the chip. The maximum output current at maximum battery voltage and high ambient temperature can only be guaranteed if the IC is mounted on an efficient heat sink.

A power-good comparator checks the output voltage of the VCC regulator and keeps the external microcontroller in reset as long as the voltage is too low.

**Figure 3-2. Correlation between VCC Output Voltage and Reset Threshold**



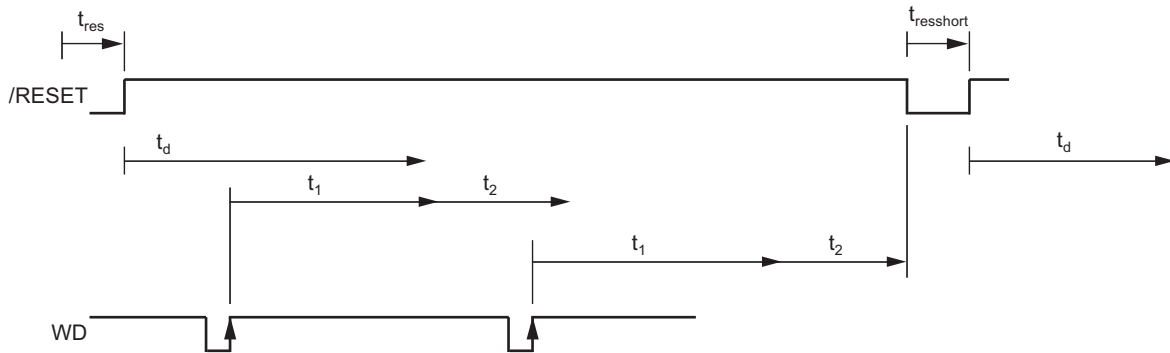
The voltage difference between the regulated output voltage and the upper reset threshold voltage is higher than 75mV (VMODE = HIGH) and higher than 50mV (VMODE = LOW).

### 3.5 Reset and Watchdog Management

The timing basis of the watchdog is provided by the trimmed internal oscillator. Its period  $T_{OSC}$  is adjustable via the external resistor  $R_{WD}$ .

The watchdog expects a triggering signal (a rising edge) from the microcontroller at the WD input within a period time window of  $T_{WD}$ . In order to save current consumption, the watchdog is switched off during sleep mode.

**Figure 3-3. Timing Diagram of the Watchdog Function**



#### 3.5.1 Timing Sequence

For example, with an external resistor  $R_{WD} = 33k\Omega \pm 1\%$  we get the following typical parameters of the watchdog.

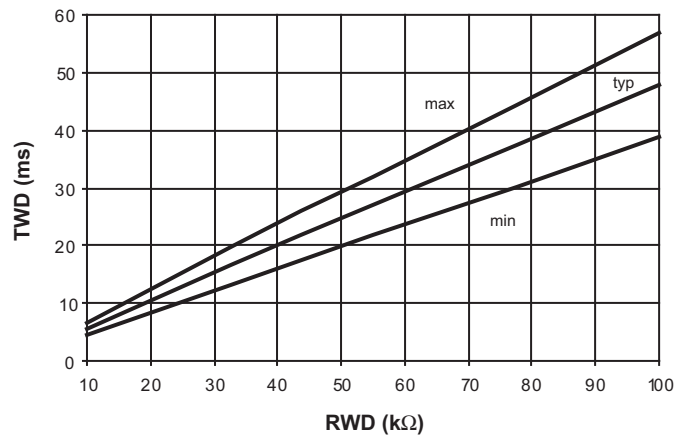
$$T_{OSC} = 12.32\mu s, t_1 = 12.1ms, t_2 = 9.61ms, T_{WD} = 16.88ms \pm 10\%$$

The times  $t_{res} = 70ms$  and  $t_d = 70ms$  are fixed values with a tolerance of 10%.

After ramp-up of the battery voltage (power-on reset), the  $V_{CC}$  regulator is switched on. The reset output, /RESET, stays low for the time  $t_{res}$  (typically 70ms), then switches to high. For an initial lead time  $t_d$  (typically 70ms for setups in the controller) the watchdog waits for a rising edge on WD to start its normal window watchdog sequence. If no rising edge is detected, the watchdog will reset the microcontroller for  $t_{res}$  and wait  $t_d$  for the rising edge on WD.

Times  $t_1$  (close window) and  $t_2$  (open window) form the window watchdog sequence. To avoid receiving a reset from the watchdog, the triggering signal from the microcontroller must hit the time frame of  $t_2 = 9.61ms$ . The trigger event will restart the watchdog sequence.

**Figure 3-4.  $T_{WD}$  versus  $R_{WD}$**



If triggering fails, /RESET will be pulled to ground for a shortened reset time of typically 2 ms. The watchdog start sequence is similar to the power-on reset.



The internal oscillator is trimmed to a tolerance of  $< \pm 10\%$ . This means that  $t_1$  and  $t_2$  can also vary by  $\pm 10\%$ . The following calculation shows the worst case calculation of the watchdog period  $T_{wd}$  which the microcontroller has to provide.

$$t_{1min} = 0.90 \times t_1 = 10.87ms, t_{1max} = 1.10 \times t_1 = 13.28ms$$

$$t_{2min} = 0.90 \times t_2 = 8.65ms, t_{2max} = 1.10 \times t_2 = 10.57ms$$

$$T_{wdmax} = t_{1min} + t_{2min} = 10.87ms + 8.65ms = 19.52ms$$

$$T_{wdmin} = t_{1max} = 13.28ms$$

$$T_{wd} = 16.42ms \pm 3.15ms (\pm 19.1\%)$$

Figure 3-4 above shows the typical watchdog period  $T_{WD}$  depending on the value of the external resistor  $R_{OSC}$ .

A reset will be active for  $V_{CC} < V_{THRESx}$ ; the level  $V_{THRESx}$  is realized with a hysteresis ( $HYS_{RESth}$ ).

### 3.6 LIN Transceiver

A bi-directional bus interface is implemented for data transfer between the LIN bus and the local LIN protocol controller.

The transceiver consists of a low side driver (1.2V at 40mA) with slew rate control, wave shaping, current limitation, and a high-voltage comparator followed by a debouncing unit in the receiver.

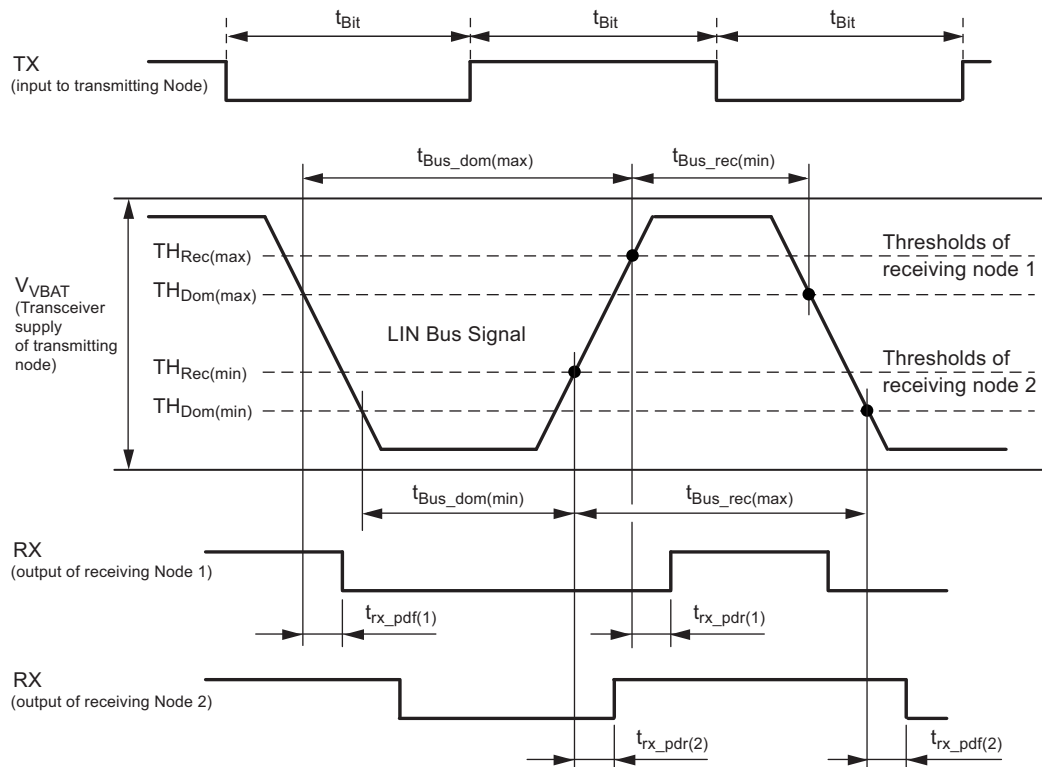
#### 3.6.1 Transmit Mode

During transmission, the data at the pin TX will be transferred to the bus driver to generate a bus signal on pin LIN.

To minimize the electromagnetic emission of the bus line, the bus driver has an integrated slew rate control and wave-shaping unit. Transmission will be interrupted in the following cases:

- Thermal shutdown active or overtemperature LIN active
- Sleep mode

Figure 3-5. Definition of Bus Timing Parameters



The recessive BUS level is generated from the integrated 30kΩ pull-up resistor in series with an active diode. This diode prevents the reverse current of VBUS during differential voltage between VSUP and BUS ( $V_{BUS} > V_{SUP}$ ).

No additional termination resistor is necessary to use the ATA6823C in LIN slave nodes. If this IC is used for LIN master nodes, it is necessary that the BUS pin be terminated via an external 1 kΩ resistor in series with a diode to VBAT.

### 3.6.2 TXD Dominant Time-out Function

The TXD input has an internal pull-down resistor. An internal timer prevents the bus line from being driven permanently in dominant state. If TXD is forced low longer than  $t_{dom} > 18.4\text{ms}$ , the pin LIN will be switched off to recessive mode. To reset this mode switch TXD to high ( $> 10\mu\text{s}$ ) before switching LIN to dominant again.

## 3.7 Control Inputs EN1, EN2, DIR, PWM

### 3.7.1 Pins EN1, EN2

Any of the enable pins may be used to activate the IC with a HIGH. EN1 is a low level input, EN2 can withstand a voltage up to 40V. Internal pull-down resistors are included.

### 3.7.2 Pin DIR

Logical input to control the direction of the external motor to be controlled by the IC. An internal pull-down resistor is included.

### 3.7.3 Pin PWM

Logical input for PWM information delivered by external microcontroller. Duty cycle and frequency at this pin are passed through to the H-bridge. An internal pull-down resistor is included.

**Table 3-1. Status of the IC Depending on Control Inputs and Detected Failures**

| ON | DIR | PWM | H1   | L1  | H2   | L2  |                   |
|----|-----|-----|------|-----|------|-----|-------------------|
| 0  | X   | X   | OFF  | OFF | OFF  | OFF | Standby mode      |
| 1  | 0   | PWM | ON   | OFF | /PWM | PWM | Motor PWM forward |
| 1  | 1   | PWM | /PWM | PWM | ON   | OFF | Motor PWM reverse |

The internal signal ON is high when

- At least one valid trigger has been accepted (SYNC = 1)
- $V_{VBAT}$  is inside the specified range (UV = 0 and nOV = 1)
- The charge pump has reached its minimum voltage (CPOK = 1) and
- The device is not overheated (OT2 = 0)

In case of a short circuit, the appropriate transistor is switched off after a debounce time of about 10μs. In order to avoid cross current through the bridge, a cross conduction timer is implemented. Its time constant is programmable by means of an RC combination.

**Table 3-2. Status of the Diagnostic Outputs**

| CPOK | OT1 | OV | UV | SC | DG1 | DG2 | DG3 |                         |
|------|-----|----|----|----|-----|-----|-----|-------------------------|
| 0    | X   | X  | X  | X  | –   | 1   | –   | Charge pump failure     |
| X    | 1   | X  | X  | X  | –   | –   | 1   | Overtemperature warning |
| X    | X   | 1  | X  | X  | –   | 1   | –   | Overvoltage             |
| X    | X   | X  | 1  | X  | –   | 1   | –   | Undervoltage            |
| X    | X   | X  | X  | 1  | 1   | –   | –   | Short circuit           |

Note: X represents: don't care – no effect)  
 OT1: Overtemperature warning  
 OV: Overvoltage of VBAT  
 UV: Undervoltage of VBAT  
 SC: Short circuit  
 CPOK: Charge pump OK

In order to be able to distinguish between a wake-up from LIN or from EN2, the source of wake-up is flagged in DG1 until the first valid trigger (LIN = 0, EN2 = 1).

### 3.8 VG Regulator

The VG regulator is used to generate the gate voltage for the low-side driver. Its output voltage will be used as one input for the charge pump, which generates the gate voltage for the high-side driver. The purpose of the regulator is to limit the gate voltage for the external power MOS transistors to 12V. It needs a ceramic capacitor of 470nF for stability. The output voltage is reduced if the supply voltage at VBAT falls below 12V.

### 3.9 Charge Pump

The integrated charge pump is needed to supply the gates of the external power MOS transistors. It needs a shuffle capacitor of 220nF and a reservoir capacitor of 470nF. Without load, the output voltage on the reservoir capacitor is  $V_{VBAT}$  plus VG. The charge pump is clocked with a dedicated internal oscillator of 100KHz. The charge pump is designed to reach a good EMC level.

### 3.10 Thermal Shutdown

There is a thermal shutdown block implemented. With rising junction temperature, a first warning level will be reached at 150°C. At this point the IC stays fully functional and a warning will be sent to the microcontroller. At junction temperature 165°C the VCC regulator will be switched off and a reset occurs.

### 3.11 H-bridge Driver

The IC includes two push-pull drivers for control of two external power NMOS used as high-side drivers and two push-pull drivers for control of two external power NMOS used as low-side drivers. The drivers are able to be used with standard and logic-level power NMOS.

The drivers for the high-side control use the charge pump voltage to supply the gates with a voltage of VG above the battery voltage level. The low-side drivers are supplied by VG directly. It is possible to control the external load (motor) in the forward and reverse direction (see [Table 3-1 on page 10](#)). The duty cycle of the PMW controls the speed. A duty cycle of 100% is possible in both directions.

### 3.11.1 Cross Conduction Time

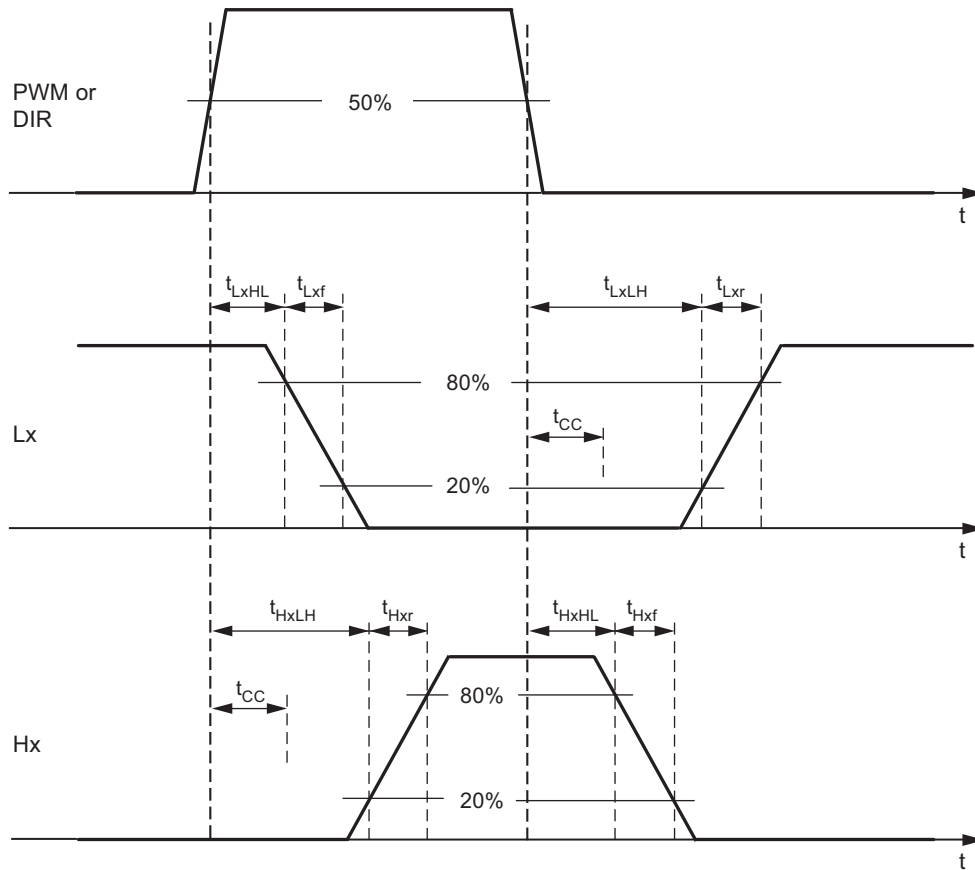
To prevent high peak currents in the H-bridge, a non-overlapping phase for switching the external power NMOS is realized. An external RC combination defines the cross conduction time in the following way:

$$t_{CC} (\mu s) = 0.41 \times R_{CC} (k\Omega) \times C_{CC} (nF) \text{ (tolerance: } \pm 5\% \pm 0.15\mu s \text{)}$$

The RC combination is charged to 5V and the switching level of the internal comparator is 67% of the start level.

The resistor  $R_{CC}$  must be greater than 5k $\Omega$  and should be as close as possible to 10k $\Omega$ , the  $C_{CC}$  value has to be  $\leq 5$ nF. Use of COG capacitor material is recommended. The time measurement is triggered by the PWM or DIR signal crossing the 50% level.

**Figure 3-6. Timing of the Drivers**



The delays  $t_{HxLH}$  and  $t_{LxLH}$  include the cross conduction time  $t_{CC}$ .

### 3.12 Short Circuit Detection

To detect a short in H-bridge circuitry, internal comparators detect the voltage difference between source and drain of the external power NMOS. If the transistors are switched ON and the source-drain voltage difference is higher than the value  $V_{SC}$  (4V with tolerances) for a time  $> t_{SC}$  (typically 10 $\mu s$ ) the signal SC (short circuit) will be set and the drivers will be switched off immediately. The diagnostic pin DG1 will be set to "H". With the next transition on pin PWM, the bit will be cleared and the corresponding drivers, depending on the DIR pin, will be switched on again.

There is a PBAT supervision block implemented to detect the possible voltage drop on PBAT during a short circuit. If the voltage at PBAT falls under  $V_{SCPb}$  (5.6V with tolerances) for a time  $> t_{SC}$  the drivers will be switched off immediately and DG1 will be set to "H". It will be cleared as above.

## 4. Absolute Maximum Ratings

Stresses beyond those listed under “Absolute Maximum Ratings” may cause permanent damage to the device. This is a stress rating only and functional operation of the device at these or any other conditions beyond those indicated in the operational sections of this specification is not implied. Exposure to absolute maximum rating conditions for extended periods may affect device reliability.

| Pin Description                                      | Pin Name                    | Min.                        | Max.                         | Unit |
|--|-----------------------------|-----------------------------|------------------------------|------|
| Ground   | GND                         | 0                           | 0                            | V    |
| Power ground   | PGND                        | -0.3                        | +0.3                         | V    |
| Reverse protected battery voltage                    | VBAT                        |                             | +40                          | V    |
| Reverse current out of pin                           | VBAT                        | -1                          |                              | mA   |
| Reverse protected battery voltage                    | PBAT                        |                             | +40                          | V    |
| Reverse current out of pin                           | PBAT                        | -20                         |                              | mA   |
| Digital output                                       | /RESET                      | -0.3                        | $V_{VCC} + 0.3$              | V    |
| Digital output                                       | DG1, DG2, DG3               | -0.3                        | $V_{VCC} + 0.3$              | V    |
| 4.9V output, external blocking capacitor             | VINT                        | -0.3                        | +5.5                         | V    |
| Cross conduction time capacitor/resistor combination | CC                          | -0.3                        | $V_{VINT} + 0.3$             | V    |
| Digital input coming from microcontroller            | WD                          | -0.3                        | $V_{VINT} + 0.3$             | V    |
| Watchdog timing resistor                             | RWD                         | -0.3                        | $V_{VCC} + 0.3$              | V    |
| Digital input direction control                      | DIR                         | -0.3                        | $V_{VCC} + 0.3$              | V    |
| Digital input PWM control + Test mode                | PWM                         | -0.3                        | $V_{VCC} + 0.3$              | V    |
| Digital input for enable control                     | EN1                         | -0.3                        | $V_{VCC} + 0.3$              | V    |
| Digital input for enable control                     | EN2                         | -0.3                        | $V_{VBAT} + 0.3$             | V    |
| 5V regulator output                                  | VCC                         | -0.3                        | +5.5                         | V    |
| Digital input  | VMODE                       | -0.3                        | $V_{VINT} + 0.3$             | V    |
| 12V output, external blocking capacitor              | VG                          |                             | +16                          | V    |
| Digital output                                       | RX                          | -0.3                        | $V_{VCC} + 0.3$              | V    |
| Digital input  | TX                          | -0.3                        | $V_{VCC} + 0.3$              | V    |
| LIN data pin   | LIN                         | -27                         | $V_{VBAT} + 2$               | V    |
| Source external high-side NMOS                       | S1, S2                      | (-2)                        | +40 <sup>(2)</sup>           | V    |
| Gates external low-side NMOS                         | L1, L2                      | $V_{PGND} - 0.3$            | $V_{VG} + 0.3$               | V    |
| Gates of external high-side NMOS                     | H1, H2                      | $V_{Sx} - 1$ <sup>(1)</sup> | $V_{Sx} + 16$ <sup>(1)</sup> | V    |
| Charge pump  | CPLO                        |                             | $V_{PBAT} + 0.3$             | V    |
| Charge pump  | CPHI                        |                             | $V_{VRES} + 0.3$             | V    |
| Charge pump output                                   | VRES                        |                             | +40 <sup>(3)</sup>           | V    |
| Switched VBAT  | VBATSW                      | -0.3                        | $V_{VBAT} + 0.3$             | V    |
| Storage temperature                                  | $\vartheta_{STORE}$         | -40                         | +150                         | °C   |
| Reverse current                                      | CPLO, CPHI, VG,<br>VRES, Sx | -2                          |                              | mA   |
|  | Lx, Hx                      | -1                          |                              | mA   |

- Notes:
- x = 1, 2
  - t < 0.5s
  - Load dump of t < 0.5s tolerated

## 5. Thermal Resistance

| Parameters  | Symbol     | Value | Unit |
|---|------------|-------|------|
| Thermal resistance junction to heat slug  | $R_{thjc}$ | < 5   | K/W  |
| Thermal resistance junction to ambient when heat slug is soldered to PCB <sup>(1)</sup> | $R_{thja}$ | 29    | K/W  |

Note: 1. Thermal resistance junction ambient: 29K/W (at airflow of 0 LFPM), valid for JEDEC Standard 4-layer Thermal test board with 5 x 5 thermal via matrix (100µm drill hole, filled vias).

## 6. Operating Range

The operating conditions define the limits for functional operation and parametric characteristics of the device. Functionality outside these limits is not implied unless otherwise stated explicitly.

| Parameters   | Symbol      | Min.         | Max.       | Unit |
|--|-------------|--------------|------------|------|
| Operating supply voltage <sup>(1)</sup>                                    | $V_{VBAT1}$ | $V_{THUV}$   | $V_{THOV}$ | V    |
| Operating supply voltage <sup>(2)</sup>                                    | $V_{VBAT2}$ | 6            | $V_{THUV}$ | V    |
| Operating supply voltage <sup>(3)</sup>                                    | $V_{VBAT3}$ | 3            | < 6        | V    |
| Operating supply voltage <sup>(4)</sup>                                    | $V_{VBAT4}$ | 0            | < 3        | V    |
| Operating supply voltage <sup>(5)</sup>                                    | $V_{VBAT5}$ | $> V_{THOV}$ | 40         | V    |
| Operating supply voltage <sup>(6)</sup>                                    | $V_{VBAT6}$ | 7            | 18         | V    |
| Normal functionality   | $T_j$       | -40          | +150       | °C   |
| Normal functionality, overtemperature warning                              | $T_j$       | 150          | 165        | °C   |
| Drivers for H1, H2, L1, L2, and LIN are switched OFF, VCC regulator is OFF | $T_j$       | 165          | 180        | °C   |

- Note:
1. Full functionality
  2. H-bridge drivers are switched off (undervoltage detection)
  3. H-bridge drivers are switched off, 5V/3.3V regulator with reduced parameters, RESET works correctly
  4. H-bridge drivers are switched off, 5V regulator not working, RESET not correct
  5. H-bridge drivers are switched off
  6. Full LIN functionality in conformance with LIN specification 2.1

## 7. Noise and Surge Immunity, ESD and Latch-up

| Parameters   | Standard and Test Conditions  | Value                  |
|--|---|------------------------|
| Conducted interferences  | ISO 7637-1  | Level 4 <sup>(1)</sup> |
| Conducted disturbances   | CISP25  | Level 5                |
| ESD according to IBEE LIN EMC<br>- Pins LIN, PBAT, VBAT<br>- Pin EN2 (33 kΩ serial resistor) | Test specification 1.0 following IEC 61000-4-2  | ±6kV<br>±5kV           |
| ESD HBM with 1.5kΩ/100pF   | ESD- STM5.1-2001<br>JESD22-A114E 2007<br>CEI/IEC 60749-26: 2006<br>AEC-Q100-002-Ref_D | ±3kV                   |
| ESD HBM with 1.5kΩ/100pF<br>Pins EN2, LIN, PBAT, VBAT against GND                            | ESD- STM5.1-2001<br>JESD22-A114E 2007<br>CEI/IEC 60749-26: 2006<br>AEC-Q100-002-Ref_D | ±8kV                   |
| ESD CDM (field induced method)   | ESD STM5.3.1 - 1999   | ±1kV                   |

Note: 1. Test pulse 5:  $V_{bat\ max} = 40V$

Static latch-up tested according to AEC-Q100-004 and JESD78.

- 3 to 6 samples, 0 failures
- Electrical post stress testing at room temperature

In test, the voltage at the pins VBAT, LIN, CP, VBATSW, Hx, and Sx must not exceed 45V when not able to drive the specified current.

## 8. Electrical Characteristics

All parameters given are valid for  $V_{THUV} \leq V_{VBAT} \leq V_{THOV}$  and for  $-40^{\circ}\text{C} \leq \vartheta_{\text{ambient}} \leq 125^{\circ}\text{C}$  unless stated otherwise.

| No.  | Parameters                                     | Test Conditions   | Pin    | Symbol             | Min.          | Typ.  | Max.          | Unit          | Type* |
|--|--|---|--------|--------------------|---------------|-------|---------------|---------------|-------|
| <b>1 Power Supply and Supervisor Functions</b> |  |   |        |                    |               |       |               |               |       |
| 1.1  | Current consumption $V_{VBAT}$                 | $V_{VBAT} = 13.5\text{V}^{(1)}$   | 25, 30 | $I_{VBAT1}$        |               |       | 7             | mA            | A     |
| 1.2  | Current consumption $V_{VBAT}$ in Standby mode | $V_{VBAT} = 13.5\text{V}$   | 25, 30 | $I_{VBAT2}$        |               |       | 50            | $\mu\text{A}$ | A     |
| 1.3  | Internal power supply                          |   | 2      | $V_{INT}$          |               | 4.94  |               | V             | A     |
| 1.4  | Band gap voltage                               |   | 3      | $V_{BG}$           |               | 1.235 |               | V             | A     |
| 1.5  | Overvoltage threshold Up $V_{VBAT}$            |   | 30     | $V_{THOV\_UP}$     | 21.2          |       | 22.7          | V             | A     |
| 1.5.1  | Overvoltage threshold Down $V_{VBAT}$          |   | 30     | $V_{THOV\_DOWN}$   | 19.8          |       | 21.3          | V             | A     |
| 1.6  | Overvoltage threshold hysteresis $V_{VBAT}$    |   | 30     | $V_{TOVhys}$       | 1             |       | 2.4           | V             | A     |
| 1.7  | Undervoltage threshold Up $V_{VBAT}$           |   | 30     | $V_{THUV\_UP}$     | 6.8           |       | 7.4           | V             | A     |
| 1.7.1  | Undervoltage threshold Down $V_{VBAT}$         |   | 30     | $V_{THUV\_DOWN}$   | 6.5           |       | 7.0           | V             | A     |
| 1.8  | Undervoltage threshold hysteresis $V_{VBAT}$   | Measured during qualification only  | 30     | $V_{TUVhys}$       | 0.2           |       | 0.6           | V             | A     |
| 1.9  | On resistance of $V_{VBAT}$ switch             | $V_{VBAT} = 13.5\text{V}$   | 31     | $R_{ON\_VBATSW}$   |               |       | 100           | $\Omega$      | A     |
| <b>2 5V/3.3V Regulator</b>                     |  |   |        |                    |               |       |               |               |       |
| 2.1  | Regulated output voltage                       | $9\text{V} < V_{VBAT} < 40\text{V}$<br>$I_{load} = 0\text{mA to } 100\text{mA}$   | 29     | $V_{CC1}$          | 4.85<br>(3.2) |       | 5.15<br>(3.4) | V             | A     |
| 2.2  | Regulated output voltage                       | $6\text{V} < V_{VBAT} \leq 9\text{V}$<br>$I_{load} = 0\text{mA to } 100\text{mA}$ | 29     | $V_{CC2}$          | 4.75<br>(3.2) |       | 5.25<br>(3.4) | V             | A     |
| 2.3  | Line regulation                                | $I_{load} = 0\text{mA to } 100\text{mA}$  | 29     | DC line regulation |               | <1    | 50            | mV            | A     |

\* Type: A = 100% tested, B = 100% correlation tested, C = Characterized on samples, D = Design parameter

- Notes:
1. EN, DIR, PWM = high
  2. The use of X7R material is recommended
  3. For higher values, stability at zero load is not guaranteed
  4. Tested during qualification only
  5. Value depends on  $T_{OSC}$ ; function tested with digital test pattern
  6. Tested during characterization only
  7. Supplied by charge pump
  8. See [Section 3.11.1 "Cross Conduction Time" on page 12](#)
  9. Voltage between source-drain of external switching transistors in active case
  10. The short-circuit message will never be generated for switch-on time  $< t_{sc}$

## 8. Electrical Characteristics (Continued)

All parameters given are valid for  $V_{THUV} \leq V_{VBAT} \leq V_{THOV}$  and for  $-40^{\circ}\text{C} \leq \vartheta_{\text{ambient}} \leq 125^{\circ}\text{C}$  unless stated otherwise.

| No.                         | Parameters  | Test Conditions                                 | Pin | Symbol                      | Min.       | Typ. | Max.                        | Unit             | Type* |
|-----------------------------|---|---|-----|-----------------------------|------------|------|-----------------------------|------------------|-------|
| 2.4                         | Load regulation   | $I_{\text{load}} = 0\text{mA to } 100\text{mA}$ | 29  | DC load regulation          |            | <10  | 50                          | mV               | A     |
| 2.5                         | Output current limitation   | $V_{\text{VBAT}} > 6\text{V}$                   | 29  | $I_{\text{OS1}}$            | 100        |      | 350                         | mA               | A     |
| 2.6                         | Serial inductance to $C_{\text{VCC}}$ including PCB                   |   | 29  | ESL                         | 1          |      | 20                          | nH               | D     |
| 2.7                         | Serial resistance to $C_{\text{VCC}}$ including PCB                   |   | 29  | ESR                         | 0          |      | 0.5                         | $\Omega$         | D     |
| 2.8                         | Blocking cap at VCC   | (2), (3)  | 29  | $C_{\text{VCC}}$            | 1.1        |      | 3.3                         | $\mu\text{F}$    | D     |
| 2.9                         | HIGH threshold VMODE  |   | 1   | VMODE H                     |            |      | 4.0                         | V                | A     |
| 2.10                        | LOW threshold VMODE   |   | 1   | VMODE L                     | 0.7        |      |                             | V                | A     |
| <b>3 Reset and Watchdog</b> |   |   |     |                             |            |      |                             |                  |       |
| 3.1                         | $V_{\text{CC}}$ threshold voltage level for /RESET                    | VMODE = "H" (VMODE = "L")                       | 29  | $V_{\text{IHRESH}}$         |            |      | 4.9 (3.25)                  | V                | A     |
| 3.1a                        | Tracking of reset threshold with regulated output voltage             | VMODE = "H" (VMODE = "L")                       | 29  | $V_{\text{VCC1-VIHRESH}}$   | 75 (50)    |      |                             | mV               | A     |
| 3.2                         | $V_{\text{CC}}$ threshold voltage level for /RESET                    | VMODE = "H" (VMODE = "L")                       | 29  | $V_{\text{IHRESL}}$         | 4.0 (2.65) |      |                             | V                | A     |
| 3.3                         | Hysteresis of /RESET level  | VMODE = "H" (VMODE = "L")(4)                    | 29  | $\text{HYS}_{\text{RESth}}$ | 70         | 200  | 600 (400)                   | mV               | A     |
| 3.4                         | Length of pulse at /RESET pin   | (5)   | 5   | $t_{\text{res}}$            |            | 7000 |                             | $T_{100}$        | A     |
| 3.5                         | Length of short pulse at /RESET pin                                   | (5)   | 5   | $t_{\text{resshort}}$       |            | 200  |                             | $T_{100}$        | A     |
| 3.6                         | Wait for the first WD trigger   | (5)   | 5   | $t_{\text{d}}$              |            | 7000 |                             | $T_{100}$        | A     |
| 3.7                         | Time for $V_{\text{CC}} < V_{\text{IHRESL}}$ before activating /RESET | (4)   | 29  | $t_{\text{delayRESL}}$      | 0.5        |      | 2                           | $\mu\text{s}$    | C     |
| 3.8                         | Resistor defining internal bias currents for watchdog oscillator      |   | 3   | $R_{\text{RWD}}$            | 10         |      | 91                          | $\text{k}\Omega$ | D     |
| 3.9                         | Watchdog oscillator period  | $R_{\text{RWD}} = 33\text{k}\Omega$             | 3   | $T_{\text{OSC}}$            | 11.09      |      | 13.55                       | $\mu\text{s}$    | A     |
| 3.11                        | Watchdog input low-voltage threshold                                  |   | 6   | $V_{\text{ILWD}}$           |            |      | $0.3 \times V_{\text{VCC}}$ | V                | A     |

\* Type: A = 100% tested, B = 100% correlation tested, C = Characterized on samples, D = Design parameter

- Notes:
1. EN, DIR, PWM = high
  2. The use of X7R material is recommended
  3. For higher values, stability at zero load is not guaranteed
  4. Tested during qualification only
  5. Value depends on  $T_{\text{OSC}}$ ; function tested with digital test pattern
  6. Tested during characterization only
  7. Supplied by charge pump
  8. See [Section 3.11.1 "Cross Conduction Time" on page 12](#)
  9. Voltage between source-drain of external switching transistors in active case
  10. The short-circuit message will never be generated for switch-on time  $< t_{\text{sc}}$



## 8. Electrical Characteristics (Continued)

All parameters given are valid for  $V_{THUV} \leq V_{VBAT} \leq V_{THOV}$  and for  $-40^{\circ}\text{C} \leq \vartheta_{\text{ambient}} \leq 125^{\circ}\text{C}$  unless stated otherwise.

| No.  | Parameters  | Test Conditions  | Pin | Symbol              | Min.                  | Typ.                 | Max. | Unit       | Type* |
|------|---|--|-----|---------------------|-----------------------|----------------------|------|------------|-------|
| 3.12 | Watchdog input high-voltage threshold   |  | 6   | $V_{IHWD}$          | $0.7 \times V_{VCC}$  |                      |      | V          | A     |
| 3.13 | Hysteresis of watchdog input voltage threshold                                |  | 6   | $V_{hysWD}$         | 0.3                   |                      | 0.7  | V          | A     |
| 3.14 | Close window  | (5)  | 6   | t1                  |                       | $980 \times T_{OSC}$ |      |            | A     |
| 3.15 | Open window   | (5)  | 6   | t2                  |                       | $780 \times T_{OSC}$ |      |            | A     |
| 3.16 | Output low-voltage of /RESET  | At $I_{OLRES} = 1\text{mA}$  | 5   | $V_{OLRES}$         |                       |                      | 0.4  | V          | A     |
| 3.17 | Internal pull-up resistor at pin /RESET                                       |  | 5   | $R_{PURES}$         | 5                     | 10                   | 15   | k $\Omega$ | A     |
| 4    | LIN Transceiver, $7\text{V} \leq V_{VBAT} \leq 18\text{V}$                    |  |     |                     |                       |                      |      |            |       |
| 4.1  | Low-level output current  | Normal mode;<br>$V_{LIN} = 0\text{V}$ , $V_{RX} = 0.4\text{V}$                       | 13  | $I_{LRXD}$          | 2                     |                      |      | mA         | A     |
| 4.2  | High-level output current   | Normal mode; $V_{LIN} = V_{VBAT}$<br>$V_{RX} = V_{CC} - 0.4\text{V}$                 | 13  | $I_{HRXD}$          | 1                     |                      |      | mA         | A     |
| 4.3  | Driver recessive output voltage   | $R_{LOAD} = 1000\Omega$ to VBAT  | 8   | $V_{BUSrecdrv}$     | $0.9 \times V_{VBAT}$ |                      |      | V          | A     |
| 4.4  | Driver dominant voltage $V_{BUSdom\_DRV\_LoSUP}$                              | $V_{VBAT} = 7.0\text{V}$<br>$R_{load} = 500\Omega$                                   | 8   | $V_{\_LoSUP}$       |                       |                      | 1.2  | V          | A     |
| 4.5  | Driver dominant voltage $V_{BUSdom\_DRV\_HiSUP}$                              | $V_{VBAT} = 18\text{V}$<br>$R_{load} = 500\Omega$                                    | 8   | $V_{\_HiSUP}$       |                       |                      | 2    | V          | A     |
| 4.6  | Driver dominant voltage $V_{BUSdom\_DRV\_LoSUP}$                              | $V_{VBAT} = 7.0\text{V}$<br>$R_{load} = 1000\Omega$                                  | 8   | $V_{\_LoSUP\_1k}$   | 0.6                   |                      |      | V          | A     |
| 4.7  | Driver dominant voltage $V_{BUSdom\_DRV\_HiSUP}$                              | $V_{VBAT} = 18\text{V}$<br>$R_{load} = 1000\Omega$                                   | 8   | $V_{\_HiSUP\_1k\_}$ | 0.8                   |                      |      | V          | A     |
| 4.8a | Pull up resistor to $V_{VBAT}$  | Serial diode required  | 8   | $R_{LIN}$           | 20                    |                      | 47   | k $\Omega$ | A     |
| 4.8b | Capacitance on LIN pin to GND   |  | 8   | $C_{LIN}$           |                       |                      | 20   | pF         | D     |
| 4.9  | Current limitation  | $V_{BUS} = V_{VBAT\_max}$  | 8   | $I_{BUS\_LIM}$      | 50                    |                      | 200  | mA         | A     |
| 4.10 | Input leakage current at the receiver including pull-up resistor as specified | Input leakage current driver off<br>$V_{BUS} = 0\text{V}$<br>$V_{VBAT} = 12\text{V}$ | 8   | $I_{BUS\_PAS\_dom}$ | -1                    |                      |      | mA         | A     |

\* Type: A = 100% tested, B = 100% correlation tested, C = Characterized on samples, D = Design parameter

- Notes:
1. EN, DIR, PWM = high
  2. The use of X7R material is recommended
  3. For higher values, stability at zero load is not guaranteed
  4. Tested during qualification only
  5. Value depends on  $T_{OSC}$ ; function tested with digital test pattern
  6. Tested during characterization only
  7. Supplied by charge pump
  8. See [Section 3.11.1 "Cross Conduction Time" on page 12](#)
  9. Voltage between source-drain of external switching transistors in active case
  10. The short-circuit message will never be generated for switch-on time  $< t_{sc}$

## 8. Electrical Characteristics (Continued)

All parameters given are valid for  $V_{THUV} \leq V_{VBAT} \leq V_{THOV}$  and for  $-40^{\circ}\text{C} \leq \vartheta_{\text{ambient}} \leq 125^{\circ}\text{C}$  unless stated otherwise.

| No.  | Parameters  | Test Conditions   | Pin | Symbol              | Min.                    | Typ.                  | Max.                    | Unit          | Type* |
|------|---|---|-----|---------------------|-------------------------|-----------------------|-------------------------|---------------|-------|
| 4.11 | Leakage current LIN recessive   | Driver off<br>$7\text{V} < V_{VBAT} < 18\text{V}$<br>$7\text{V} < V_{BUS} < 18\text{V}$<br>$V_{BUS} = V_{VBAT}$   | 8   | $I_{BUS\_PAS\_rec}$ |                         |                       | 20                      | $\mu\text{A}$ | A     |
| 4.12 | Leakage current at ground loss<br>Control unit disconnected from ground<br>Loss of local ground must not affect communication in the residual network | $7\text{V} < V_{VBAT} < 18\text{V}$<br>$GND_{\text{Device}} = V_{VBAT}$<br>$V_{VBAT} = 12\text{V}$<br>$0\text{V} < V_{BUS} < 18\text{V}$  | 8   | $I_{BUS\_NO\_gnd}$  | -1                      |                       | +1                      | mA            | A     |
| 4.13 | Node has to sustain the current that can flow under this condition. Bus must remain operational under this condition                                  | $7\text{V} < V_{VBAT} < 18\text{V}$<br>$V_{VBAT}$ disconnected<br>$V_{SUP\_Device} = GND$<br>$0\text{V} < V_{BUS} < 18\text{V}$   | 8   | $I_{BUS}$           |                         |                       | 100                     | $\mu\text{A}$ | A     |
| 4.14 | Center of receiver threshold  | $7\text{V} < V_{VBAT} < 18\text{V}$<br>$V_{BUS\_CNT} = (V_{th\_dom} + V_{th\_rec})/2$   | 8   | $V_{BUS\_CNT}$      | $0.475 \times V_{VBAT}$ | $0.5 \times V_{VBAT}$ | $0.525 \times V_{VBAT}$ | V             | A     |
| 4.15 | Receiver dominant state   | $7\text{V} < V_{VBAT} < 18\text{V}$<br>$V_{EN} = 5\text{V}$   | 8   | $V_{BUSdom}$        |                         |                       | $0.4 \times V_{VBAT}$   | V             | A     |
| 4.16 | Receiver recessive state  | $7\text{V} < V_{VBAT} < 18\text{V}$<br>$V_{EN} = 5\text{V}$   | 8   | $V_{BUSrec}$        | $0.6 \times V_{VBAT}$   |                       |                         | V             | A     |
| 4.17 | Receiver input hysteresis   | $7\text{V} < V_{VBAT} < 18\text{V}$<br>$V_{HYS} = V_{th\_rec} - V_{th\_dom}$  | 8   | $V_{BUShys}$        |                         |                       | $0.175 \times V_{VBAT}$ | V             | A     |
| 4.18 | Duty cycle 1  | $7\text{V} < V_{VBAT} < 18\text{V}$<br>$TH_{rec(max)} = 0.744 \times V_{VBAT}$<br>$TH_{Dom(max)} = 0.581 \times V_{VBAT}$<br>$t_{Bit} = 50\mu\text{s}$<br>$D1 = t_{BUS\_rec(min)}/(2 \times t_{Bit})$<br>Load1: 1nF + 1k $\Omega$<br>Load2: 10nF + 500 $\Omega$ | 8   | D1                  | 0.396                   |                       |                         |               | A     |

\* Type: A = 100% tested, B = 100% correlation tested, C = Characterized on samples, D = Design parameter

- Notes:
1. EN, DIR, PWM = high
  2. The use of X7R material is recommended
  3. For higher values, stability at zero load is not guaranteed
  4. Tested during qualification only
  5. Value depends on  $T_{OSC}$ ; function tested with digital test pattern
  6. Tested during characterization only
  7. Supplied by charge pump
  8. See [Section 3.11.1 "Cross Conduction Time" on page 12](#)
  9. Voltage between source-drain of external switching transistors in active case
  10. The short-circuit message will never be generated for switch-on time  $< t_{sc}$

## 8. Electrical Characteristics (Continued)

All parameters given are valid for  $V_{THUV} \leq V_{VBAT} \leq V_{THOV}$  and for  $-40^{\circ}\text{C} \leq \vartheta_{\text{ambient}} \leq 125^{\circ}\text{C}$  unless stated otherwise.

| No.  | Parameters  | Test Conditions  | Pin              | Symbol               | Min.                        | Typ. | Max.                        | Unit             | Type* |
|------|---|--|------------------|----------------------|-----------------------------|------|-----------------------------|------------------|-------|
| 4.19 | Duty cycle 2  | $7\text{V} < V_{VBAT} < 18\text{V}$<br>$TH_{\text{rec}(\text{min})} = 0.422 \times V_{VBAT}$<br>$TH_{\text{Dom}(\text{min})} = 0.284 \times V_{VBAT}$<br>$t_{\text{Bit}} = 50\mu\text{s}$<br>$D2 = t_{\text{Bus\_rec}(\text{max})} / (2 \times t_{\text{Bit}})$<br>Load1: $1\text{nF} + 1\text{k}\Omega$<br>Load2: $10\text{nF} + 500\Omega$ | 8                | D2                   |                             |      | 0.581                       |                  | A     |
| 4.20 | Duty cycle 3  | $7\text{V} < V_{VBAT} < 18\text{V}$<br>$TH_{\text{rec}(\text{max})} = 0.778 \times V_{VBAT}$<br>$TH_{\text{Dom}(\text{max})} = 0.616 \times V_{VBAT}$<br>$t_{\text{Bit}} = 96\mu\text{s}$<br>$D3 = t_{\text{Bus\_rec}(\text{min})} / (2 \times t_{\text{Bit}})$<br>Load1: $1\text{nF} + 1\text{k}\Omega$<br>Load2: $10\text{nF} + 500\Omega$ | 8                | D3                   | 0.417                       |      |                             |                  | A     |
| 4.21 | Duty cycle 4  | $7\text{V} < V_{VBAT} < 18\text{V}$<br>$TH_{\text{rec}(\text{min})} = 0.389 \times V_{VBAT}$<br>$TH_{\text{Dom}(\text{min})} = 0.251 \times V_{VBAT}$<br>$t_{\text{Bit}} = 96\mu\text{s}$<br>$D4 = t_{\text{Bus\_rec}(\text{max})} / (2 \times t_{\text{Bit}})$<br>Load1: $1\text{nF} + 1\text{k}\Omega$<br>Load2: $10\text{nF} + 500\Omega$ | 8                | D4                   |                             |      | 0.590                       |                  | A     |
| 4.22 | Receiver propagation delay  | $7\text{V} < V_{VBAT} < 18\text{V}$<br>$t_{\text{rec\_pd}} = \max(t_{\text{rx\_pdr}}, t_{\text{rx\_pdf}})$   | 13               | $t_{\text{rx\_pd}}$  |                             |      | 6                           | $\mu\text{s}$    | A     |
| 4.23 | Symmetry of receiver propagation delay rising edge minus falling edge | $7\text{V} < V_{VBAT} < 18\text{V}$<br>$t_{\text{rx\_sym}} = t_{\text{rx\_pdr}} - t_{\text{rx\_pdf}}$  | 13               | $t_{\text{rx\_sym}}$ | -2                          |      | +2                          | $\mu\text{s}$    |       |
| 4.24 | Dominant time for wake-up via LIN-bus                                 | $7\text{V} < V_{VBAT} < 18\text{V}$<br>$V_{\text{LIN}} = 0\text{V}$  | 8                | $T_{\text{BUS}}$     | 30                          | 90   | 150                         | $\mu\text{s}$    | A     |
| 5    | Control Inputs EN1, DIR, PWM, WD, TX                                  |  |                  |                      |                             |      |                             |                  |       |
| 5.1  | Input low-voltage threshold   |  | 12, 10, 11, 6, 9 | $V_{\text{IL}}$      |                             |      | $0.3 \times V_{\text{VCC}}$ | V                | A     |
| 5.2  | Input high-voltage threshold  |  | 12, 10, 11, 6, 9 | $V_{\text{IH}}$      | $0.7 \times V_{\text{VCC}}$ |      |                             | V                | A     |
| 5.3  | Hysteresis  |  | 12, 10, 11, 6, 9 | HYS                  | 0.3                         | 0.5  | 0.7                         | V                | A     |
| 5.4  | Pull-down resistor  | EN1, DIR, PWM, WD  | 12, 10, 11, 6,   | $R_{\text{PD}}$      | 25                          | 50   | 100                         | $\text{k}\Omega$ | A     |

\* Type: A = 100% tested, B = 100% correlation tested, C = Characterized on samples, D = Design parameter

- Notes:
1. EN, DIR, PWM = high
  2. The use of X7R material is recommended
  3. For higher values, stability at zero load is not guaranteed
  4. Tested during qualification only
  5. Value depends on  $T_{\text{OSC}}$ ; function tested with digital test pattern
  6. Tested during characterization only
  7. Supplied by charge pump
  8. See [Section 3.11.1 "Cross Conduction Time" on page 12](#)
  9. Voltage between source-drain of external switching transistors in active case
  10. The short-circuit message will never be generated for switch-on time  $< t_{\text{sc}}$

## 8. Electrical Characteristics (Continued)

All parameters given are valid for  $V_{THUV} \leq V_{VBAT} \leq V_{THOV}$  and for  $-40^{\circ}\text{C} \leq \vartheta_{\text{ambient}} \leq 125^{\circ}\text{C}$  unless stated otherwise.

| No.      | Parameters   | Test Conditions                        | Pin                 | Symbol                          | Min.                    | Typ. | Max.                | Unit          | Type* |
|----------|--|--|---------------------|---------------------------------|-------------------------|------|---------------------|---------------|-------|
| 5.5      | Pull-up resistor                                     | TX                                     | 9                   | $R_{PU}$                        | 25                      | 50   | 100                 | k $\Omega$    | A     |
| 5.6      | Rise/fall time                                       |  | 12, 10,<br>11, 6, 9 | $t_{\text{tr}}$                 |                         |      | 100                 | ns            | D     |
| 5.7      | Debounce time EN1                                    | (6)                                    | 12                  | $t_{\text{db}}$                 | $2 \times T_{100}$      |      | $3 \times T_{100}$  | $\mu\text{s}$ | B     |
| <b>6</b> | <b>Charge Pump</b>                                   |  |                     |                                 |                         |      |                     |               |       |
| 6.1      | Charge pump voltage                                  | Load = 0A                              | 21                  | VCP                             |                         |      | $V_{VBAT} + V_{VG}$ | V             | A     |
| 6.2      | Charge pump voltage                                  | Load = 3mA,<br>$C_{CP} = 100\text{nF}$ | 21                  | VCP                             | $V_{VBAT} + V_{VG} - 1$ |      |                     | V             | A     |
| 6.3      | Period charge pump oscillator                        |  | 21                  | $T_{100}$                       | 9                       |      | 11                  | $\mu\text{s}$ | A     |
| 6.4      | CP load current in VG without CP load                | Load = 0A                              | 24                  | $I_{VGCPz}$                     |                         |      | 0.6                 | mA            | A     |
| 6.5      | CP load current in VG with CP load                   | Load = 3mA,<br>$C_{CP} = 100\text{nF}$ | 24                  | $I_{VGCP}$                      |                         |      | 4                   | mA            | A     |
| 6.6      | Charge pump OK threshold UP                          |  | 21                  | $V_{CPOK\_UP}$                  | 5.05                    |      | 6.15                | V             | A     |
| 6.7      | Charge pump OK threshold DOWN                        |  | 21                  | $V_{CPOK\_DOWN}$                | 4.25                    |      | 5.35                | V             | A     |
| <b>7</b> | <b>H-bridge Driver</b>                               |  |                     |                                 |                         |      |                     |               |       |
| 7.1      | Low-side driver HIGH output voltage                  |  | 26, 27              | $V_{LxH}$                       | $V_{VG} - 0.5\text{V}$  |      | $V_{VG}$            | V             | A     |
| 7.2      | ON-resistance of sink stage of pins L1, L2           |  | 26, 27              | $R_{DSON\_LxL}$ ,<br>$x = 1, 2$ |                         |      | 20                  | $\Omega$      | A     |
| 7.3      | ON-resistance of source stage of pins L1, L2         |  | 26, 27              | $R_{DSON\_LxH}$ ,<br>$x = 1, 2$ |                         |      | 20                  | $\Omega$      | A     |
| 7.4      | Output peak current at pins L1, L2, switched to LOW  | $V_{Lx} = 3\text{V}$                   | 26, 27              | $I_{LxL}$ ,<br>$x = 1, 2$       | 100                     |      |                     | mA            | A     |
| 7.5      | Output peak current at pins L1, L2, switched to HIGH | $V_{Lx} = 3\text{V}$                   | 26, 27              | $I_{LxH}$ ,<br>$x = 1, 2$       |                         |      | -100                | mA            | A     |
| 7.6      | Pull-down resistance at pins L1, L2                  |  | 26, 27              | $R_{PDLx}$ ,<br>$x = 1, 2$      | 30                      |      | 140                 | k $\Omega$    | A     |
| 7.7      | ON-resistance of sink stage of pins H1, H2           | $V_{Sx} = 0$                           | 18, 20              | $R_{DSON\_HxL}$ ,<br>$x = 1, 2$ |                         |      | 20                  | $\Omega$      | A     |

\* Type: A = 100% tested, B = 100% correlation tested, C = Characterized on samples, D = Design parameter

- Notes:
- EN, DIR, PWM = high
  - The use of X7R material is recommended
  - For higher values, stability at zero load is not guaranteed
  - Tested during qualification only
  - Value depends on  $T_{OSC}$ ; function tested with digital test pattern
  - Tested during characterization only
  - Supplied by charge pump
  - See [Section 3.11.1 "Cross Conduction Time" on page 12](#)
  - Voltage between source-drain of external switching transistors in active case
  - The short-circuit message will never be generated for switch-on time  $< t_{sc}$

## 8. Electrical Characteristics (Continued)

All parameters given are valid for  $V_{THUV} \leq V_{VBAT} \leq V_{THOV}$  and for  $-40^{\circ}\text{C} \leq \vartheta_{\text{ambient}} \leq 125^{\circ}\text{C}$  unless stated otherwise.

| No.                | Parameters  | Test Conditions   | Pin               | Symbol                              | Min.                    | Typ. | Max.                | Unit          | Type* |
|--------------------|---|---|-------------------|-------------------------------------|-------------------------|------|---------------------|---------------|-------|
| 7.8                | ON-resistance of source stage of pins H1, H2              | $V_{Sx} = V_{VBAT}$   | 18, 20            | $R_{DSON\_HxH}$ ,<br>$x = 1, 2$     |                         |      | 20                  | $\Omega$      | A     |
| 7.9                | Output peak current at pins Hx, switched to LOW           | $V_{VBAT} = 13.5\text{V}$<br>$V_{Sx} = V_{VBAT}$<br>$V_{Hx} = V_{VBAT} + 3\text{V}$ | 18, 20            | $I_{HxL}$ ,<br>$x = 1, 2$           | 100                     |      |                     | mA            | A     |
| 7.10               | Output peak current at pins Hx, switched to HIGH          | $V_{VBAT} = 13.5\text{V}$<br>$V_{Sx} = V_{VBAT}$<br>$V_{Hx} = V_{VBAT} + 3\text{V}$ | 18, 20            | $I_{HxH}$ ,<br>$x = 1, 2$           |                         |      | -100                | mA            | A     |
| 7.11               | Static switch output low voltage at pins Hx and Lx        | $V_{Sx} = 0\text{V}$<br>$I_{Hx} = 1\text{mA}$<br>$I_{Lx} = 1\text{mA}$              | 18, 20,<br>26, 27 | $V_{HxL}$ , $V_{LxL}$<br>$x = 1, 2$ |                         |      | 0.3                 | V             | A     |
| 7.12               | Static high-side switch output high-voltage pins H1, H2   | $I_{Lx} = -10\mu\text{A}$<br>(PWM = static)   | 18, 20            | $V_{HxHstat1}^{(7)}$                | $V_{VBAT} + V_{VG} - 1$ |      | $V_{VBAT} + V_{VG}$ | V             | A     |
| 7.13               | Sink resistance between Hx and Sx                         | $V_{VBAT} = V_{PBAT} = 9\text{V}$ ,<br>$I_{VG} = -20\text{mA}$                      | 17, 18,<br>19, 20 | $R_{PDHx}$                          | 30                      |      | 150                 | $k\Omega$     | A     |
| Dynamic Parameters |   |   |                   |                                     |                         |      |                     |               |       |
| 7.15               | Propagation delay time, low-side driver from high to low  | <a href="#">Figure 3-6 on page 12</a><br>$V_{VBAT} = 13.5\text{V}$                  | 26, 27            | $t_{LxHL}$                          |                         |      | 0.5                 | $\mu\text{s}$ | A     |
| 7.16               | Propagation delay time, low-side driver from low to high  | $V_{VBAT} = 13.5\text{V}$   | 26, 27            | $t_{LxLH}$                          |                         |      | $0.5 + t_{CC}$      | $\mu\text{s}$ | A     |
| 7.17               | Fall time low-side driver                                 | $V_{VBAT} = 13.5\text{V}$<br>$C_{Gx} = 5\text{nF}$                                  | 26, 27            | $t_{Lxf}$                           |                         |      | 0.5                 | $\mu\text{s}$ | A     |
| 7.18               | Rise time low-side driver                                 | $V_{VBAT} = 13.5\text{V}$   | 26, 27            | $t_{Lxr}$                           |                         |      | 0.5                 | $\mu\text{s}$ | A     |
| 7.19               | Propagation delay time, high-side driver from high to low | <a href="#">Figure 3-6 on page 12</a><br>$V_{VBAT} = 13.5\text{V}$                  | 18, 20            | $t_{HxHL}$                          |                         |      | 0.5                 | $\mu\text{s}$ | A     |
| 7.20               | Propagation delay time, high-side driver from low to high | $V_{VBAT} = 13.5\text{V}$   | 18, 20            | $t_{HxLH}$                          |                         |      | $0.5 + t_{CC}$      | $\mu\text{s}$ | A     |
| 7.21               | Fall time high-side driver                                | $V_{VBAT} = 13.5\text{V}$ ,<br>$C_{Gx} = 5\text{nF}$                                | 18, 20            | $t_{Hxf}$                           |                         |      | 0.5                 | $\mu\text{s}$ | A     |
| 7.22               | Rise time high-side driver                                | $V_{VBAT} = 13.5\text{V}$   | 18, 20            | $t_{Hxr}$                           |                         |      | 0.5                 | $\mu\text{s}$ | A     |
| 7.23               | Cross conduction time                                     | $R_{CC} = 10k\Omega$ , $C_{CC} = 1\text{nF}(8)$                                     | 4                 | $t_{CC}$                            | 3.75                    |      | 4.45                | $\mu\text{s}$ | A     |

\* Type: A = 100% tested, B = 100% correlation tested, C = Characterized on samples, D = Design parameter

- Notes:
- EN, DIR, PWM = high
  - The use of X7R material is recommended
  - For higher values, stability at zero load is not guaranteed
  - Tested during qualification only
  - Value depends on  $T_{OSC}$ ; function tested with digital test pattern
  - Tested during characterization only
  - Supplied by charge pump
  - See [Section 3.11.1 "Cross Conduction Time" on page 12](#)
  - Voltage between source-drain of external switching transistors in active case
  - The short-circuit message will never be generated for switch-on time  $< t_{sc}$

## 8. Electrical Characteristics (Continued)

All parameters given are valid for  $V_{THUV} \leq V_{VBAT} \leq V_{THOV}$  and for  $-40^{\circ}\text{C} \leq \vartheta_{\text{ambient}} \leq 125^{\circ}\text{C}$  unless stated otherwise.

| No.      | Parameters                                | Test Conditions   | Pin    | Symbol                | Min.               | Typ. | Max.               | Unit          | Type* |
|----------|---|---|--------|-----------------------|--------------------|------|--------------------|---------------|-------|
| 7.24     | External resistor                         |   | 4      | $R_{CC}$              | 5                  |      |                    | k $\Omega$    | D     |
| 7.25     | External capacitor                        |   | 4      | $C_{CC}$              |                    |      | 5                  | nF            | D     |
| 7.26     | $R_{ON}$ of $t_{CC}$ switching transistor |   | 4      | $R_{ONCC}$            |                    |      | 200                | $\Omega$      | A     |
| 7.28     | Short circuit detection voltage           | (9)   | 17, 19 | $V_{SC}$              | 3.5                | 4    | 4.7                | V             | A     |
| 7.29     | Short circuit detection time              | (10)  | 17, 19 | $t_{SC}$              | 5                  | 10   | 15                 | $\mu\text{s}$ | A     |
| 7.30     | VG regulator output voltage               | $V_{VBAT} = V_{PBAT} = 18\text{V}$ ,<br>$I_{VG} = -20\text{mA}$ | 24     | $V_{VG}$              | 11                 |      | 14                 | V             | A     |
| 7.31     | VG regulator output voltage switch mode   | $V_{VBAT} = V_{PBAT} = 9\text{V}$ ,<br>$I_{VG} = -20\text{mA}$  | 24     | $V_{VG\text{switch}}$ | 7                  |      | 9                  | V             | A     |
| <b>8</b> | <b>Input EN2</b>                          |   |        |                       |                    |      |                    |               |       |
| 8.1      | Input low-voltage threshold               |   | 32     | $V_{IL}$              | 2.3                |      | 3.6                | V             | A     |
| 8.2      | Input high-voltage threshold              |   | 32     | $V_{IH}$              | 2.8                |      | 4.0                | V             | A     |
| 8.3      | Hysteresis                                | (6)   | 32     | HYS                   |                    | 0.47 |                    | V             | A     |
| 8.4      | Pull-down resistor                        |   | 32     | $R_{PD}$              | 50                 | 100  | 200                | k $\Omega$    | A     |
| 8.5      | Rise/fall time                            |   | 32     | $t_{rf}$              |                    |      | 100                | ns            | D     |
| 8.6      | Debounce time                             | (6)   | 32     | $t_{db}$              | $2 \times T_{100}$ |      | $3 \times T_{100}$ | $\mu\text{s}$ | B     |
| <b>9</b> | <b>Diagnostic Outputs DG1, DG2, DG3</b>   |   |        |                       |                    |      |                    |               |       |
| 9.1      | Low level output current                  | $V_{DG} = 0.4\text{V}^{(6)}$                                    | 15, 16 | IL                    | 2                  |      |                    | mA            | A     |
| 9.2      | High level output current                 | $V_{DG} = V_{CC} - 0.4\text{V}^{(6)}$                           | 15, 16 | IH                    | 1                  |      |                    | mA            | A     |

\* Type: A = 100% tested, B = 100% correlation tested, C = Characterized on samples, D = Design parameter

- Notes:
1. EN, DIR, PWM = high
  2. The use of X7R material is recommended
  3. For higher values, stability at zero load is not guaranteed
  4. Tested during qualification only
  5. Value depends on  $T_{OSC}$ ; function tested with digital test pattern
  6. Tested during characterization only
  7. Supplied by charge pump
  8. See [Section 3.11.1 "Cross Conduction Time" on page 12](#)
  9. Voltage between source-drain of external switching transistors in active case
  10. The short-circuit message will never be generated for switch-on time  $< t_{sc}$

## 9. Application

### 9.1 General Remark

This section describes the principal application for which the ATA6823C was designed. Because Atmel® cannot be considered to understand fully all aspects of the system, application, and environment, no warranties of fitness for a particular purpose are given.

**Table 9-1. Typical External Components**

| Component   | Function                                   | Value                    | Tolerance |
|-------------|--|--------------------------|-----------|
| $C_{VINT}$  | Blocking capacitor at VINT                 | 220nF, 10V, X7R          | 50%       |
| $C_{VCC}$   | Blocking capacitor at VCC                  | 2.2 $\mu$ F, 10V, X7R    | 50%       |
| $C_{CC}$    | Cross conduction time definition capacitor | Typical 330pF, 100V, COG |           |
| $R_{CC}$    | Cross conduction time definition resistor  | Typical 10k $\Omega$     |           |
| $C_{VG}$    | Blocking capacitor at VG                   | Typical 470nF, 25V, X7R  | 50%       |
| $C_{CP}$    | Charge pump capacitor                      | Typical 220nF, 25V, X7R  |           |
| $C_{VRES}$  | Reservoir capacitor                        | Typical 470nF, 25V, X7R  |           |
| $R_{RWD}$   | Watchdog time definition resistor          | Typical 51k $\Omega$     |           |
| $R_{LINex}$ | Pull-up resistor for LIN bus (master only) | Typical 1k $\Omega$      |           |
| $C_{LINex}$ | Filter capacitor for LIN bus               | Typical 220pF, 100V      |           |

## 10. Errata

### 10.1 Faulty Pulse at DG1

A faulty pulse of approximately 100ns appears at pin 16 (DG1), signaling short circuit condition, under following circumstances:

General condition: PWM = HIGH

and

detected undervoltage of VBAT (signalized at pin 15 = DG2)

or

detected overvoltage of VBAT (signalized at pin 15 = DG2)

or

detected undervoltage of the charge pump (signalized at pin 15 = DG2)

or

overtemperature shutdown.

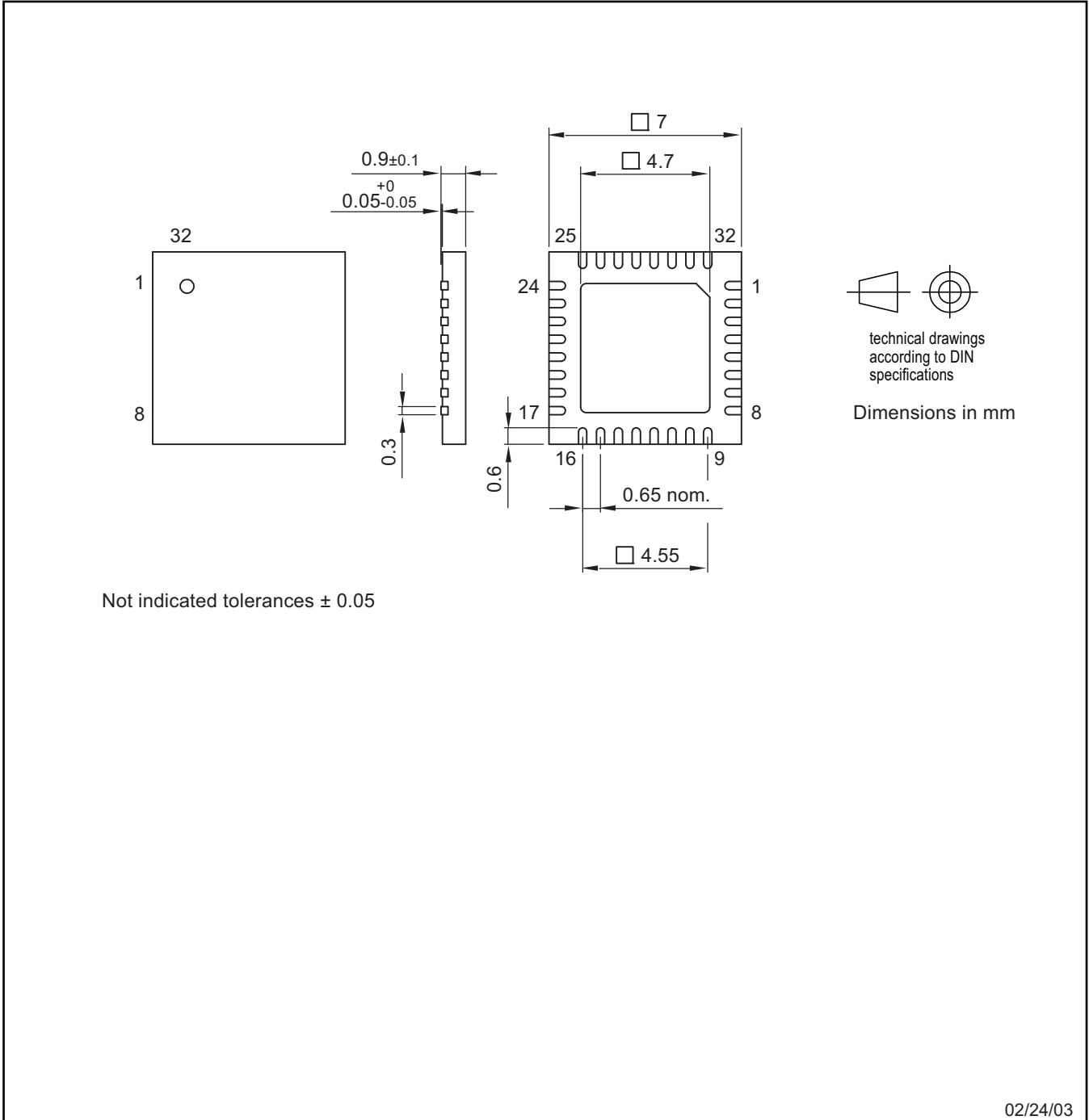
### 10.2 Problem Fix/Workaround

Set the software to ignore the faulty pulse.

## 11. Ordering Information

| Extended Type Number | Package | Remarks |
|----------------------|---------|---------|
| ATA6823C-PHQW        | QFN32   | Pb-free |

## 12. Package Information



|  |   |            |                                       |                  |
|--|---|------------|---------------------------------------|------------------|
| <b>Package Drawing Contact:</b><br>packagedrawings@atmel.com | <b>TITLE</b><br>Package: QFN32_7x7<br>Exposed pad 4.7x4.7 | <b>GPC</b> | <b>DRAWING NO.</b><br>6.543-5097.01-4 | <b>REV.</b><br>1 |
|  |   |            |                                       |                  |



## 13. Revision History

Please note that the following page numbers referred to in this section refer to the specific revision mentioned, not to this document.

| Revision No.     | History   |
|------------------|---|
| 9209F-AUTO-06/14 | <ul style="list-style-type: none"><li>• Put datasheet in the latest template</li></ul>  |
| 9209E-AUTO-03/12 | <ul style="list-style-type: none"><li>• Section 4 “Absolute Maximum Ratings” on page 13 changed</li></ul>   |
| 9209D-AUTO-11/11 | <ul style="list-style-type: none"><li>• Figure 3-5 “Definition of Bus Timing Parameters” on page 10 changed</li><li>• Section 4 “Absolute Maximum Ratings” on page 15 changed</li><li>• Section 8 “Electrical Characteristics” numbers 4.8 and 4.12 on pages 19 to 20 changed</li></ul> |
| 9209C-AUTO-01/11 | <ul style="list-style-type: none"><li>• Section 3.3 “Wake-up and Sleep Mode Strategy” on page 7 changed</li></ul>   |
| 9209B-AUTO-11/10 | <ul style="list-style-type: none"><li>• Section 8 “Electrical Characteristics” number 4.8b on page 19 added</li><li>• Table 9-1 “Typical External Components” on page 25 changed</li></ul>  |



**Atmel Corporation** 1600 Technology Drive, San Jose, CA 95110 USA T: (+1)(408) 441.0311 F: (+1)(408) 436.4200 | [www.atmel.com](http://www.atmel.com)

© 2014 Atmel Corporation. / Rev.: Rev.: 9209F–AUTO–06/14

Atmel®, Atmel logo and combinations thereof, Enabling Unlimited Possibilities®, and others are registered trademarks or trademarks of Atmel Corporation in U.S. and other countries. Other terms and product names may be trademarks of others.

DISCLAIMER: The information in this document is provided in connection with Atmel products. No license, express or implied, by estoppel or otherwise, to any intellectual property right is granted by this document or in connection with the sale of Atmel products. EXCEPT AS SET FORTH IN THE ATMEL TERMS AND CONDITIONS OF SALES LOCATED ON THE ATMEL WEBSITE, ATMEL ASSUMES NO LIABILITY WHATSOEVER AND DISCLAIMS ANY EXPRESS, IMPLIED OR STATUTORY WARRANTY RELATING TO ITS PRODUCTS INCLUDING, BUT NOT LIMITED TO, THE IMPLIED WARRANTY OF MERCHANTABILITY, FITNESS FOR A PARTICULAR PURPOSE, OR NON-INFRINGEMENT. IN NO EVENT SHALL ATMEL BE LIABLE FOR ANY DIRECT, INDIRECT, CONSEQUENTIAL, PUNITIVE, SPECIAL OR INCIDENTAL DAMAGES (INCLUDING, WITHOUT LIMITATION, DAMAGES FOR LOSS AND PROFITS, BUSINESS INTERRUPTION, OR LOSS OF INFORMATION) ARISING OUT OF THE USE OR INABILITY TO USE THIS DOCUMENT, EVEN IF ATMEL HAS BEEN ADVISED OF THE POSSIBILITY OF SUCH DAMAGES. Atmel makes no representations or warranties with respect to the accuracy or completeness of the contents of this document and reserves the right to make changes to specifications and products descriptions at any time without notice. Atmel does not make any commitment to update the information contained herein. Unless specifically provided otherwise, Atmel products are not suitable for, and shall not be used in, automotive applications. Atmel products are not intended, authorized, or warranted for use as components in applications intended to support or sustain life.

SAFETY-CRITICAL, MILITARY, AND AUTOMOTIVE APPLICATIONS DISCLAIMER: Atmel products are not designed for and will not be used in connection with any applications where the failure of such products would reasonably be expected to result in significant personal injury or death ("Safety-Critical Applications") without an Atmel officer's specific written consent. Safety-Critical Applications include, without limitation, life support devices and systems, equipment or systems for the operation of nuclear facilities and weapons systems. Atmel products are not designed nor intended for use in military or aerospace applications or environments unless specifically designated by Atmel as military-grade. Atmel products are not designed nor intended for use in automotive applications unless specifically designated by Atmel as automotive-grade.