

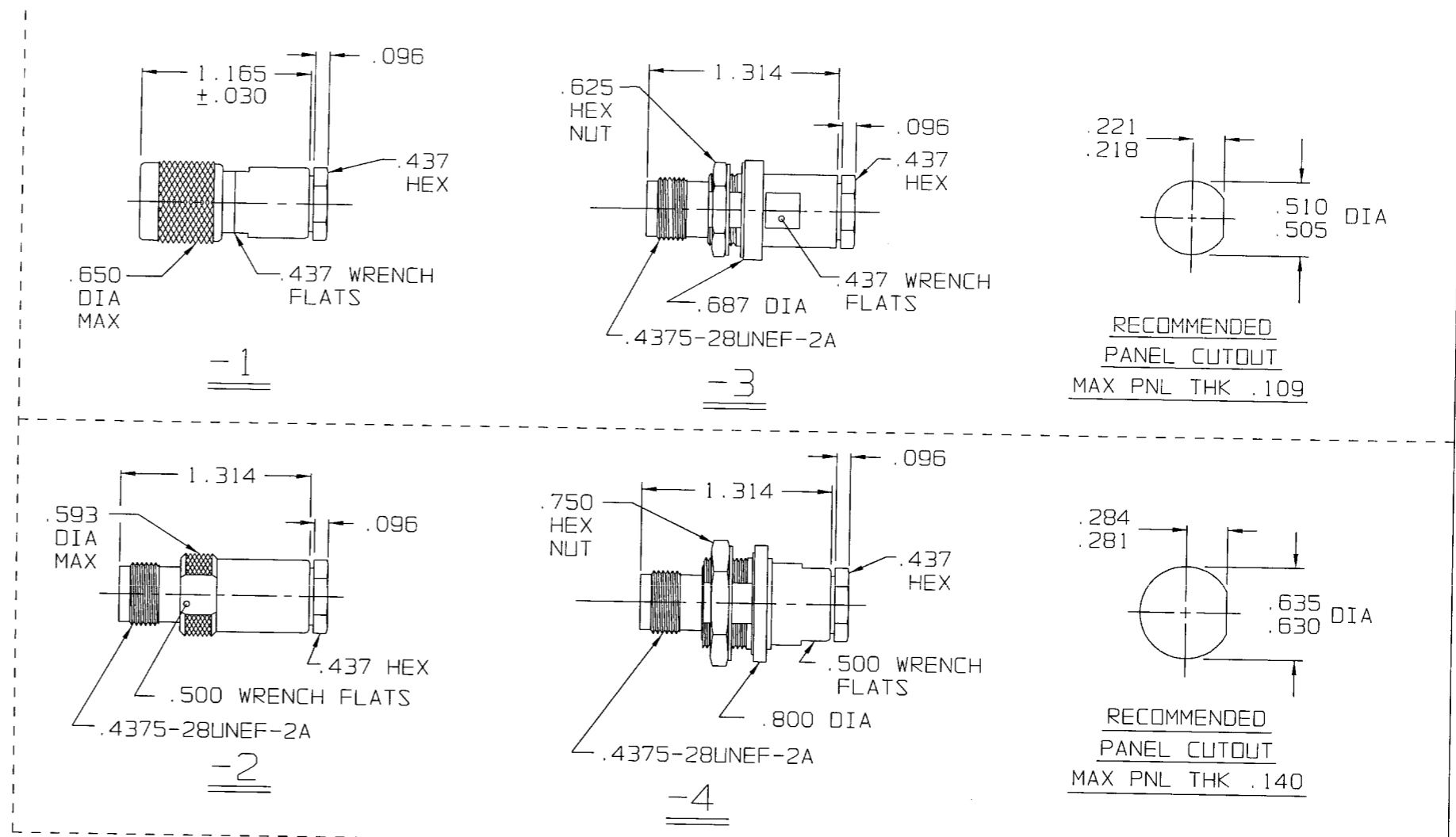
DATA CONTAINED IN THIS DOCUMENT IS PROPRIETARY TO TROMPETER ELECTRONICS INC. AND SHALL NOT BE DISCLOSED, COPIED OR USED FOR PROCUREMENT OR MANUFACTURE WITHOUT EXPRESS WRITTEN PERMISSION OF TROMPETER ELECTRONICS INC.

REV		DESCRIPTION	DATE	APPROVED
H		REVISED PER ECD 14329	12-27-01	MM

DASH NO	CONNECTOR TYPE	MATERIAL <span style="border: 1px solid black; padding: 2px;">3</span> <span style="border: 1px solid black; padding: 2px;">4</span>	ASSEMBLE PER
-1	PL375	315-0011-25	SH 2
-2	CJ370	3-0066-25	
-3	BJ379	3-0074-25	
-4	BJ374	3-0073-25	

MILITARY PART NO (PIN)	MILITARY CABLE PART NO	TROMPETER PART NO (REF ONLY) <span style="border: 1px solid black; padding: 2px;">7</span>
M49142/08-0011	M24643/33-01UN	M305-0486-1
M49142/09-0012	M24643/33-01UN	M305-0486-3
M49142/11-0012	M24643/33-01UN	M305-0486-2

- 7 WHEN CONNECTOR IS SUPPLIED TO MILITARY PART NO (SEE TABLE 2):
- a) ALL PARTS NORMALLY PLATED TFS-1A OR TFS-1U (NICKEL) ARE TO BE PLATED TFS-1MK SILVER)
  - b) MARK PART WITH MILITARY PIN (SEE TABLE 2) AND "14949"
  - c) QUALITY CONFORMANCE INSPECTION SHALL BE PER MIL-C-49142 SECTION 4.5
6. SEE 305-0604 FOR 2, 3, & 4 LUG VERSIONS
5. MALE/FEMALE THREADED CONCENTRIC TWINAX/TRIAX CABLE PLUG/JACK/INSULATED & NON-INSULATED BULKHEAD MOUNT JACKS FOR MIL-C-915/49, TYPE #25WU-1 AND M24643/33-01UN
- 4 8-0694 INSULATING WASHER TO BE SUPPLIED WITH EACH CONNECTOR
- 3 REPLACE 8-1580-25 CLAMP NUT WITH -102 CLAMP NUT AND 8-1600-1 NOTCHED INSERT WITH 8-1600-2 NOTCHED INSERT
2. FINISH TFS-1A (NICKEL) 7
1. ALL DIM ARE IN INCHES



INCH	MM	INCH	MM
.005	.13	.593	15.06
.030	.76	.625	15.88
.096	2.44	.630	16.00
.218	5.54	.635	16.13
.221	5.61	.650	16.51
.281	7.14	.687	17.45
.284	7.21	.750	19.05
.437	11.10	.800	20.32
.500	12.70	1.165	29.59
.505	12.83	1.314	33.38
.510	12.95		

**RED INDICATES ORIGINAL**

INTERPRET DRAWING PER MIL-STD-100 DIMENSIONS ARE IN INCHES AND INCLUDE FINISH THICKNESS UNLESS OTHERWISE SPECIFIED		TOL: UNLESS SPECIFIED .XX .XXX .005 .XXXX ANGLES		<b>TROMPETER</b> ELECTRONICS, INC.
DRAWN: AAH	DATE: 12-11-01	MATERIAL:	TITLE: PL375/CJ370/CJ379/BJ374 2SWU-1, M24643/33-01UN (THREADED COUPLING)	
CHECKED: [Signature]	DATE: 12-14-01	FINISH:	SIZE: B	CAGE CODE: 14949
QUALITY: [Signature]	DATE: 12-21-01		DRAWING NO: 305-0486	REV: H
APPROVED: [Signature]	DATE: 12/19/01		SCALE: NONE	DATE: 11-8-82
NEXT ASSY: CAD FILE NO. 305-0486H1		DO NOT SCALE DWG	SCALE: NONE	SHEET 1 OF 3