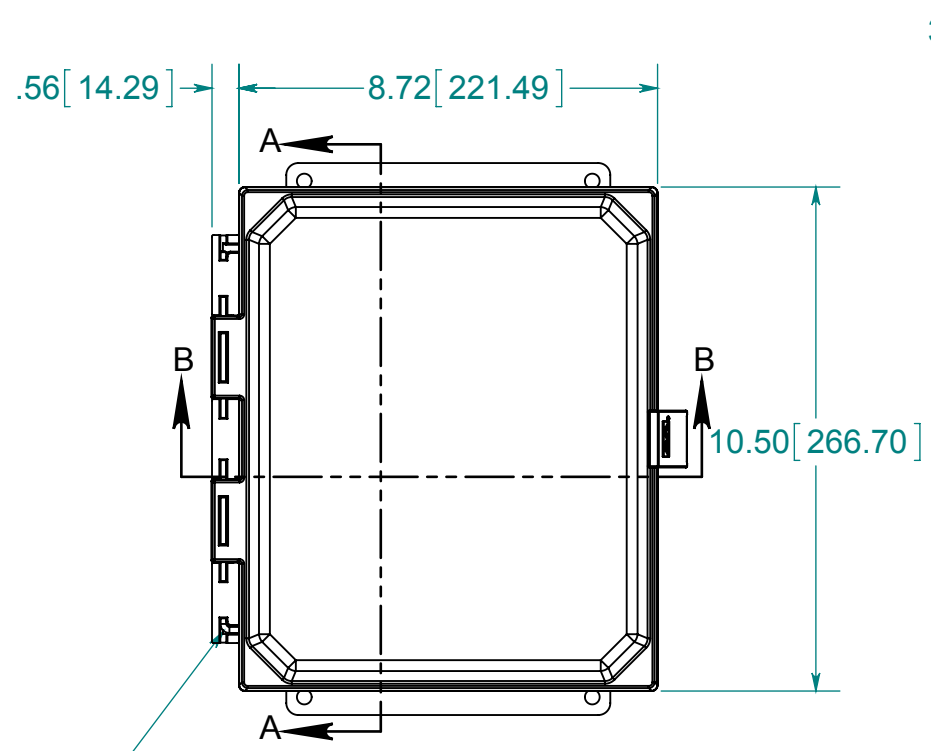
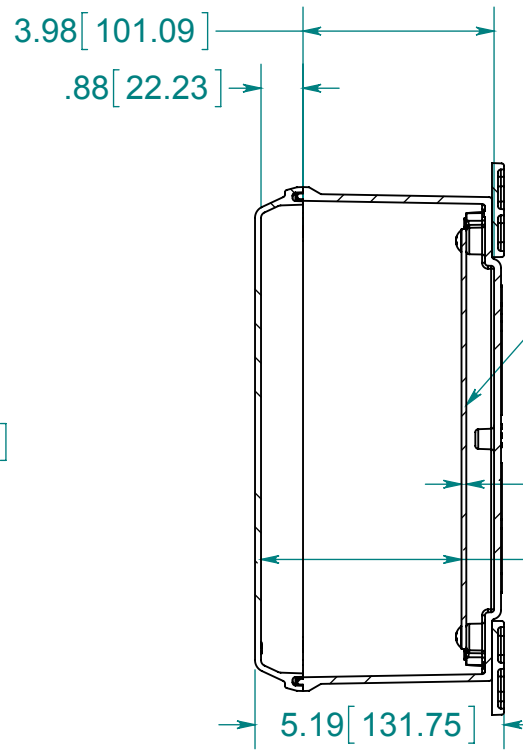


DATE	REV.	DESCRIPTION	DR	CK	REL



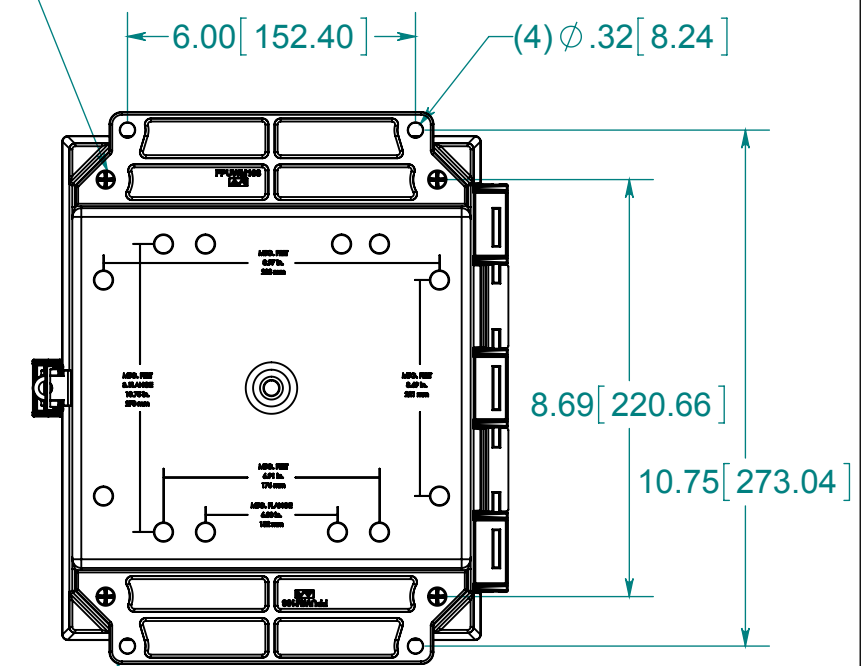
STAINLESS STEEL HINGE PIN



SECTION A-A

OPTIONAL BACK PANEL SHOWN  
0.100 [2.54mm] TH'K- ALUMINUM  
0.075 [1.91mm] TH'K- WHITE STEEL

(4) EACH #10-32 BRASS INSERTS, AND STAINLESS STEEL FLANGE AND FEET SCREWS

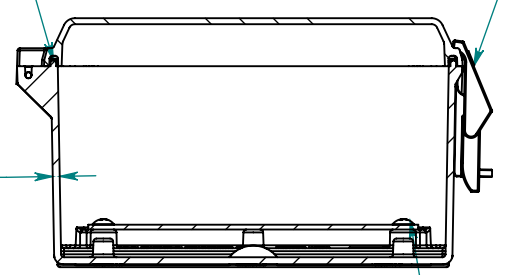


(4) POLYCARBONATE FLANGES (GLUED)

FRONT VIEW WITH COVER REMOVED AND BACK PANEL DISPLAYED

CLOSED CELL NEOPRENE GASKET

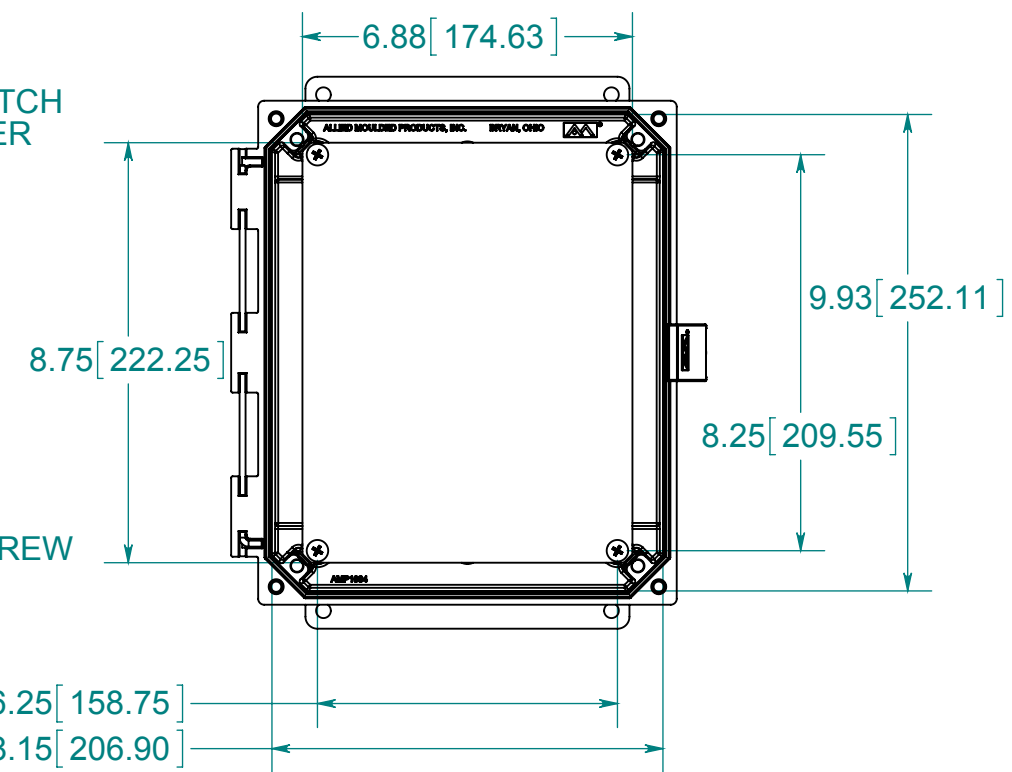
.14 [3.68]



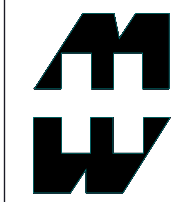
SECTION B-B

NON-METALLIC LOCKABLE SNAP LATCH LOCATED ON CENTER

(4) EACH #10-32 BRASS INSERTS AND PLATED CARBON STEEL TRUSS SCREW



MATERIAL:  
BOX- INJECTED POLYCARBONATE  
STANDARD COVER- INJECTED POLYCARBONATE  
CLEAR COVER - INJECTED POLYCARBONATE



PART No. PCJ1084CCNLF  
for more information visit [www.hammfg.com](http://www.hammfg.com)  
Data subject to change without notice  
Drawing Not to Scale