

## LMB-30C Series, 30Watt

### FEATURES:

- ✓ Constant current output
- ✓ Input voltage range 200-240Vac
- ✓ Short circuit, overload over temperature protections
- ✓ Designed to worldwide safety standards for lighting
- ✓ Cooling by free air convection
- ✓ 3 years warranty



Model	Input voltage (Vac)	Output current (mA)	Output voltage (Vdc)		Output power (W)
			Min.	Max.	
LMB30-C700	200-240	700	23	43	30

### ELECTRICAL

Input						
Parameters	Symbols	Test Conditions / Comment	Min.	Typ.	Max.	Units
Input voltage	$V_{in}$	---	180	--	264	Vac
Input frequency	$F_{line}$	---	47	--	63	Hz
Input current	$I_{in}$	Full load, $V_{in} = 230Vac$	--	--	0.3	A
Inrush current	$I_{inrush}$	Cold start, $V_{in} = 230Vac$	--	--	70	A
Power factor	PF	70%~100% load, $V_{in} = 220Vac$	0.95	--	--	PF
Efficiency	$\eta$	Full voltage, full load	--	83	85	%
Output						
Output current	$I_{out}$	LMB30-C700	665	700	735	mA
Output voltage	$V_{out}$	LMB30-C700	23	--	43	V
Line regulation	$I_{out-line}$	$V_{in}$ from 200Vac to 240Vac	--	--	1	%
Load regulation	$I_{out-load}$	$V_{out}$ from min. To max.	--	--	5	%

**LMB-30C Series, 30Watt**
**ELECTRICAL**
**Output**

Parameters	Symbols	Test Conditions / Comment	Min.	Typ.	Max.	Units
Turn-on delay time	$T_{on\_delay}$	Cold start, power on	--	--	2	S
Ripple	--	---	--	600	--	mV

**Protection**

Overload	Hiccup mode, it will recover automatically after fault conditions remove					
Short circuit	Hiccup mode, it will recover automatically after fault conditions remove					
Over temperature	Protection type: shut down O/P voltage recovers automatically after temperature goes down					

**Environment**

Storage	$T_{storage}$	Humidity: 5% RH to 95% RH	-40	--	+80	°C
Ambient operating temperature	$T_a$	Startup at rated voltage	-20	--	+45	°C
Maximum case temperature	$T_c$	Hot-spot on case	--	--	+80	°C
Operating relative humidity	$H_a$	Non condensing	10	--	95	%
MTBF	$T_{MTBF}$	Full load, 220Vac input, 25°C ambient temperature	--	--	30	kHrs
Dimension(LxWxH)	167.9x51x24mm					

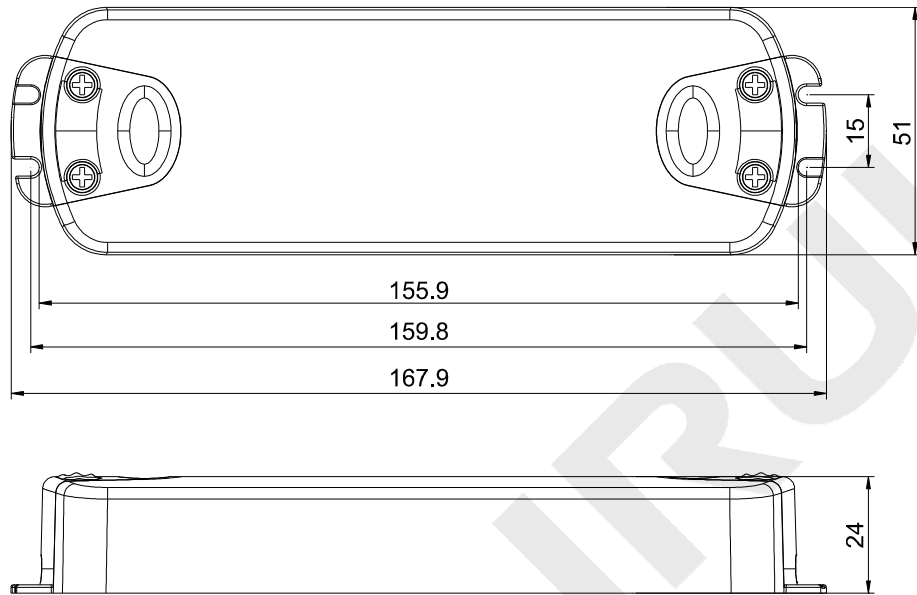
**Safety / EMC**

Safety standards	IEC61347-1	IEC61347-2-13				
EMI	IEC55015					
EMS IMMUNITY	IEC61547					
THD	IEC61000-3-2					

**Notes: Unless otherwise specified, all the above parameters are measured at ambient temperature of 25°C and  $V_{in}$  = 200Vac to 240Vac.**

LMB-30C Series, 30Watt

MECHANICAL



Unit: mm