

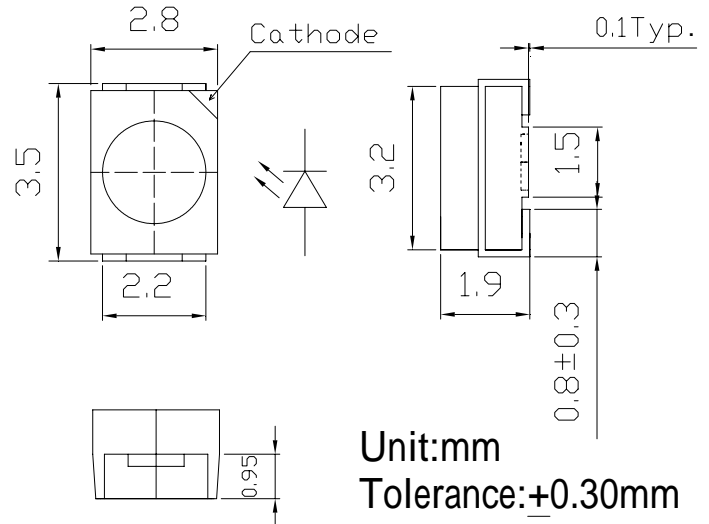
■Features

- High Luminous PLCC2 Top SMD LEDs
- 3.5x2.8x1.9mm Standard Directivity
- Long Lifetime Operation
- Superior Weather-resistance
- Green Diffused Type

■Applications

- Backlighting (switches, keys, displays, illuminated advertising etc.)
- Substitution of Micro Incandescent Lamps
- Reading Lamps / Emergency Lighting
- Marker lights (e.g. steps, exit ways, etc.)
- Other Lighting

■Outline Dimension



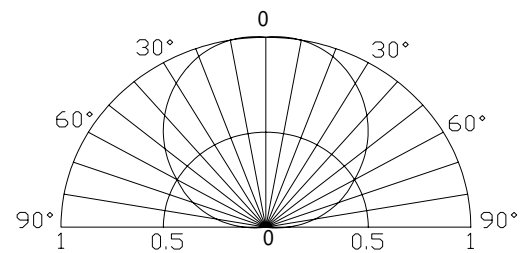
■Absolute Maximum Rating

(Ta=25)

| Item | Symbol | Value | Unit |
|----------------------------|------------------|------------|------|
| DC Forward Current | I _F | 30 | mA |
| Pulse Forward Current* | I _{FP} | 100 | mA |
| Reverse Voltage | V _R | 5 | V |
| Power Dissipation | P _D | 108 | mW |
| Operating Temperature | T _{opr} | -30 ~ +85 | |
| Storage Temperature | T _{stg} | -40 ~ +100 | |
| Lead Soldering Temperature | T _{sol} | 260 /5sec | - |

*Pulse width Max.10ms Duty ratio max 1/10

■Directivity



Electrical -Optical Characteristics

(Ta=25)

| Item | Symbol | Condition | Min. | Typ. | Max. | Unit |
|---------------------------|-------------------|----------------------|------|------|------|------|
| DC Forward Voltage | V _F | I _F =20mA | 2.9 | 3.1 | 3.6 | V |
| DC Reverse Current | I _R | V _R =5V | - | - | 10 | μA |
| Luminous Intensity* | I _v | I _F =20mA | 1560 | 2180 | - | mcd |
| Luminous Flux | ϕ | I _F =20mA | 6.5 | 7.5 | - | lm |
| Chromaticity Coordinates* | x | I _F =20mA | - | 0.35 | - | |
| | y | I _F =20mA | - | 0.50 | - | |
| 50% Power Angle | 2θ _{1/2} | I _F =20mA | - | 120 | - | deg |

*1 Tolerance of chromaticity coordinate is ±10%

*2 Tolerance of luminous Flux is ±15%