

BiCD Integrated Circuit Silicon Monolithic

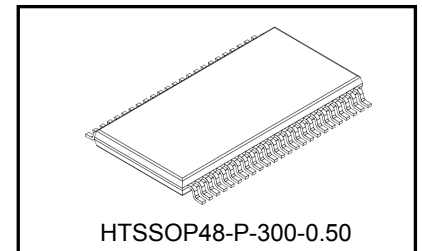
TB62215AFNG

PWM method clock Inn bipolar stepping motor driver

The TB62215AFNG is a two-phase bipolar stepping motor driver using a PWM chopper. Fabricated with the BiCD process, the TB62215AFNG is rated at 40 V/3.0 A. The on-chip voltage regulator allows control of a stepping motor with a single VM power supply.

Features

- Bipolar stepping motor driver
- PWM constant-current drive
- Clock input control
- Allows two-phase, 1-2-phase and W1-2-phase excitations.
- BiCD process: Uses DMOS FETs as output power transistors.
- High voltage and current: 40 V/3.0 A (absolute maximum ratings)
- Thermal shutdown (TSD), overcurrent shutdown (ISD), and power-on-resets (PORs)

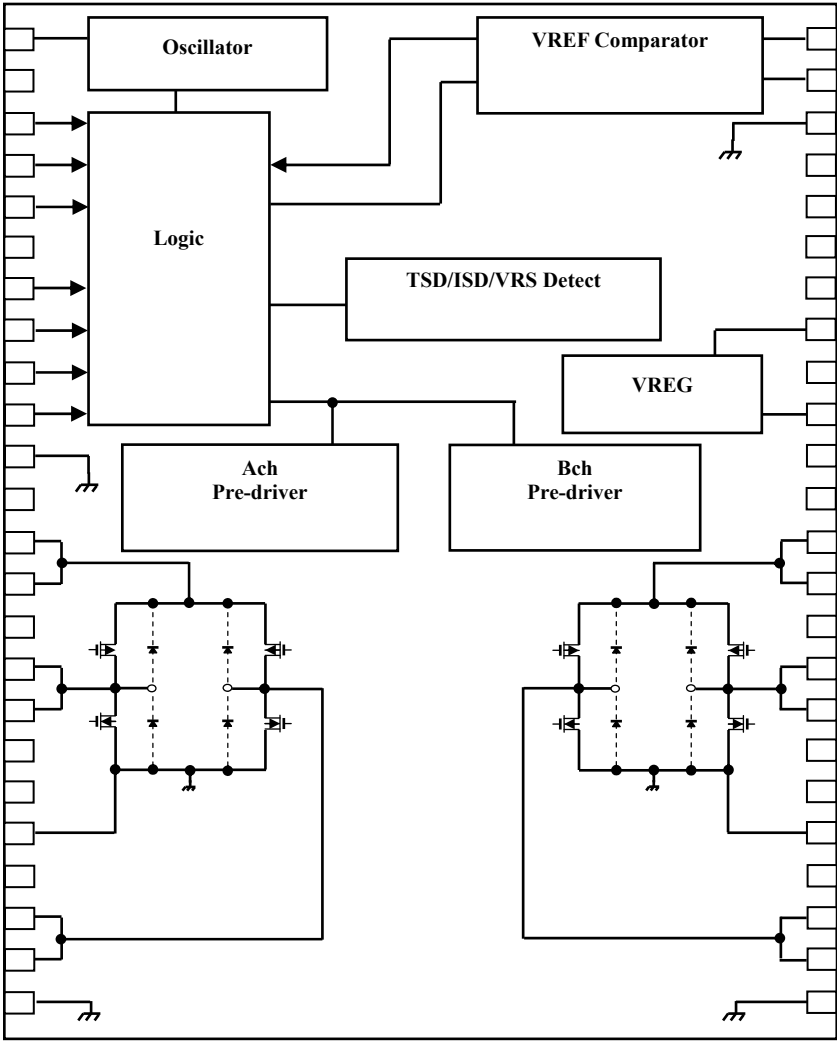


Weight 0.21g(typ.)

Do not design your products or systems based on the information on this document.

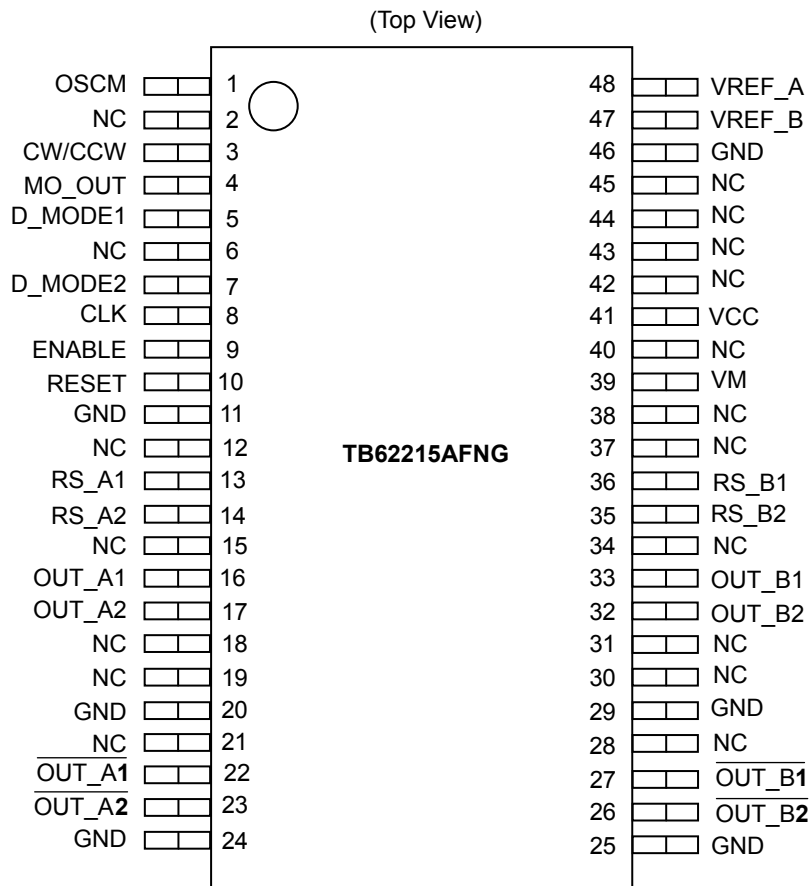
Please contact your Toshiba sales representative for updated information before designing your products.

Block Diagram



Functional blocks/circuits/constants in the block chart etc. may be omitted or simplified for explanatory purposes.

Pin assignment



Terminal function explanation

Pin No.	Pin Name	Function	Pin No.	Pin Name	Function
1	OSCM	Oscillator pin for PWM chopper	25	GND	Motor power ground
2	NC	No connect	26	$\overline{\text{OUT_B2}}$	B-phase negative driver output
3	CW/CCW	Motor rotation: forward/reverse	27	$\overline{\text{OUT_B1}}$	
4	MO_OUT	Electric angle monitor	28	NC	No connect
5	D_MODE_1	Excitation mode control 1	29	GND	Motor power ground
6	NC	No connect	30	NC	No connect
7	D_MODE_2	Excitation mode control 2	31	NC	No connect
8	CLK	An electrical angle leads on the rising edge of the clock input. A motor rotation count depends on the input frequency.	32	OUT_B2	B-phase positive driver output
9	ENABLE	A-/B-channel output enable	33	OUT_B1	
10	RESET	Electric angle reset	34	NC	No connect
11	GND	Logic ground	35	RS_B2	Power supply of B-phase motor coil and the sink current sensing of B-phase motor coil
12	NC	No connect	36	RS_B1	
13	RS_A1	Power supply of A-phase motor coil and the sink current sensing of A-phase motor coil	37	NC	No connect
14	RS_A2		38	NC	No connect
15	NC	No connect	39	VM	Power supply
16	OUT_A1	A-phase positive driver output	40	NC	No-connect
17	OUT_A2		41	VCC	Smoothing filter for logic power supply
18	NC	No connect	42	NC	No connect
19	NC	No connect	43	NC	No connect
20	GND	Motor power ground	44	NC	No connect
21	NC	No connect	45	NC	No connect
22	$\overline{\text{OUT_A1}}$	A-phase negative driver output	46	GND	Logic ground
23	$\overline{\text{OUT_A2}}$		47	VREF_B	Tunes the current level for A-phase motor drive.
24	GND	Motor power ground	48	VREF_A	Tunes the current level for A-phase motor drive.

1. CLK

CLK Input	Function
Rise	The electrical angle leads by one on the rising edge.
Fall	Remains at the same position.

2. ENABLE

ENABLE Input	Function
H	Output transistors are enabled (normal operation mode).
L	Output transistors are disabled (high impedance state).

3. CW/CCW

CW/CCW Input	Function	OUT (+)	OUT (-)
H	Forward (CW)	H	L
L	Reverse (CCW)	L	H

4. DMODE

D_MODE1	D_MODE2	Function
L	L	OSC_M, output transistors are disabled (in Standby mode)
L	H	Two-phase excitation
H	L	1-2-phase excitation
H	H	W1-2-phase excitation

5. RESET

RESET Input	Function
L	Normal operation mode
H	The electrical angle is reset.

Absolute Maximum Ratings (Ta = 25°C)

Characteristics	Symbol	Rating	Unit
Motor power supply	V _M	40	V
Motor output voltage	V _{OUT}	40	V
Motor output current	I _{OUT}	3.0	A
Logic power supply	V _{CC}	6	V
Digital input voltage	V _{IN}	6	V
MO output voltage	V _{MO}	6	V
MO output sink current	I _{MO}	30.0	mA
Power dissipation	P _D	1.3	W
Operating temperature	T _{opr}	-20 to 85	°C
Storage temperature	T _{str}	-55 to 150	°C
Junction temperature	T _{j(Max)}	150	°C

Operation Ranges

Characteristics	Symbol	Test Condition	Min	Typ.	Max	Unit
Motor power supply	V _M	-	10	24	38	V
Motor output current	I _{OUT}	Ta=25°C, 1corresponding worth	-	1.8	2.4	A
Digital input voltage	V _{IN(H)}	H level of logic	2.0	-	5.5	V
	V _{IN(L)}	L level of logic	-0.4	-	1.0	V
MO output voltage	V _{MO}	With a pull-up resistor	-	3.3	5.5	V
Clock input frequency	f _{CLK}	-	-	-	100	kHz
Chopper frequency	f _{chop}	-	40	100	150	kHz
V _{ref} reference voltage	V _{ref}	-	GND	-	3.6	V
Voltage across the current-sensing resistor pins	V _{RS}	-	0.0	±1.0	±1.5	V

This document is for reference only. Please contact us for sample datasheets.

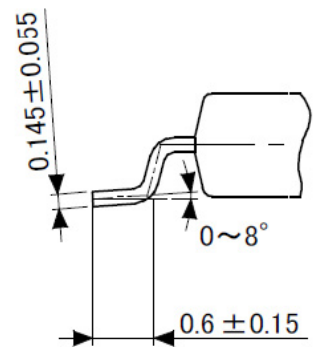
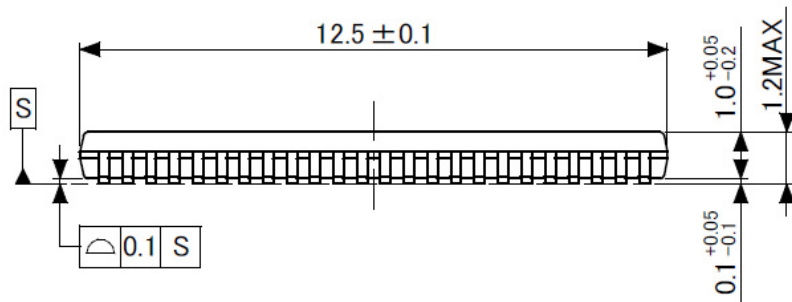
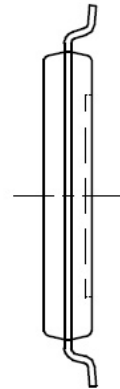
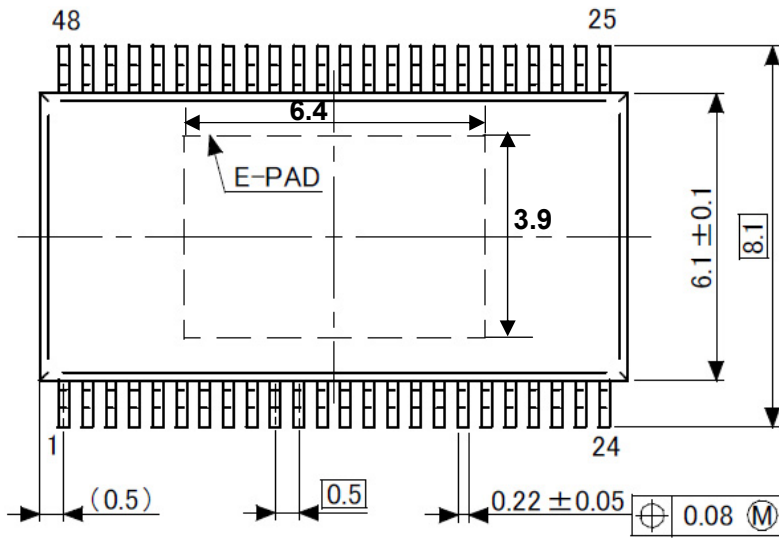
Electrical Characteristics (Ta = 25°C, V_M = 24 V, unless otherwise specified)

Characteristics	Symbol	Test Condition	Min	Typ.	Max	Unit
Digital input voltage	V _{IH}	Digital input pins	2.0	3.3	5.5	V
	V _{IL}		GND	-	0.8	
Supply current	I _M	Outputs open (two-phase excitation)	-	5	7	mA
Channel-to-channel differential	Δ I _{OUT1}	I _{OUT} = 2.0A	-5	0	5	%
Output current error relative to the predetermined value	Δ I _{OUT2}	I _{OUT} = 2.0A	-5	0	5	%
Drain-source ON-resistance of the output transistors (upper and lower sum)	R _{ON(D-S)}	I _{OUT} = 2.0A, T _j = 25°C	0.4	0.6	0.8	Ω
Power-supply voltage for internal circuit operation	V _{CC}	I _{CC} = 5.0mA	4.75	5.00	5.25	V
Power-supply current for internal circuit operation	I _{CC}	-	-	2.5	5.0	mA
V _M recovery voltage	V _{MR}	-	7.0	8.0	9.0	V
Overcurrent trip threshold	ISD	-	3.0	4.0	5.0	A

Package Dimensions

HTSSOP48-P-300-0.50

Unit: mm



NOTES on Contents

Block Diagrams

Functional blocks/circuits/constants in the block chart etc. may be omitted or simplified for explanatory purposes.

IC Usage Considerations

Notes on handling of ICs

The absolute maximum ratings of a semiconductor device are a set of ratings that must not be exceeded, even for a moment. Do not exceed any of these ratings.

Exceeding the rating(s) may cause device breakdown, damage or deterioration, and may result in injury by explosion or combustion.

Use an appropriate power supply fuse to ensure that a large current does not continuously flow in the case of overcurrent and/or IC failure. The IC will fully break down when used under conditions that exceed its absolute maximum ratings, when the wiring is routed improperly or when an abnormal pulse noise occurs from the wiring or load, causing a large current to continuously flow and the breakdown can lead to smoke or ignition. To minimize the effects of the flow of a large current in the case of breakdown, appropriate settings, such as fuse capacity, fusing time and insertion circuit location, are required.

If your design includes an inductive load such as a motor coil, incorporate a protection circuit into the design to prevent device malfunction or breakdown caused by the current resulting from the inrush current at power ON or the negative current resulting from the back electromotive force at power OFF. IC breakdown may cause injury, smoke or ignition.

Use a stable power supply with ICs with built-in protection functions. If the power supply is unstable, the protection function may not operate, causing IC breakdown. IC breakdown may cause injury, smoke or ignition.

Do not insert devices in the wrong orientation or incorrectly.

Make sure that the positive and negative terminals of power supplies are connected properly.

Otherwise, the current or power consumption may exceed the absolute maximum rating, and exceeding the rating(s) may cause device breakdown, damage or deterioration, and may result in injury by explosion or combustion.

In addition, do not use any device inserted in the wrong orientation or incorrectly to which current is applied even just once.

Carefully select external components (such as inputs and negative feedback capacitors) and load components (such as speakers), for example, power amp and regulator.

If there is a large amount of leakage current such as from input or negative feedback condenser, the IC output DC voltage will increase. If this output voltage is connected to a speaker with low input withstand voltage, overcurrent or IC failure may cause smoke or ignition. (The overcurrent may cause smoke or ignition from the IC itself.) In particular, please pay attention when using a Bridge Tied Load (BTL) connection-type IC that inputs output DC voltage to a speaker directly.

Points to remember when handling of ICs**Overcurrent Protection Circuit**

Overcurrent protection circuits (referred to as current limiter circuits) do not necessarily protect ICs under all circumstances. If the overcurrent protection circuits operate against the overcurrent, clear the overcurrent status immediately.

Depending on the method of use and usage conditions, exceeding absolute maximum ratings may cause the overcurrent protection circuit to operate improperly or IC breakdown may occur before operation. In addition, depending on the method of use and usage conditions, if overcurrent continues to flow for a long time after operation, the IC may generate heat resulting in breakdown.

Thermal Shutdown Circuit

Thermal shutdown circuits do not necessarily protect ICs under all circumstances. If the thermal shutdown circuits operate against the over-temperature, clear the heat generation status immediately.

Depending on the method of use and usage conditions, exceeding absolute maximum ratings may cause the thermal shutdown circuit to operate improperly or IC breakdown to occur before operation.

Heat Radiation Design

When using an IC with large current flow such as power amp, regulator or driver, design the device so that heat is appropriately radiated, in order not to exceed the specified junction temperature (T_J) at any time or under any condition. These ICs generate heat even during normal use. An inadequate IC heat radiation design can lead to decrease in IC life, deterioration of IC characteristics or IC breakdown. In addition, when designing the device, take into consideration the effect of IC heat radiation with peripheral components.

Back-EMF

When a motor rotates in the reverse direction, stops or slows abruptly, current flows back to the motor's power supply owing to the effect of back-EMF. If the current sink capability of the power supply is small, the device's motor power supply and output pins might be exposed to conditions beyond the absolute maximum ratings. To avoid this problem, take the effect of back-EMF into consideration in system design.

RESTRICTIONS ON PRODUCT USE

- Toshiba Corporation, and its subsidiaries and affiliates (collectively "TOSHIBA"), reserve the right to make changes to the information in this document, and related hardware, software and systems (collectively "Product") without notice.
- This document and any information herein may not be reproduced without prior written permission from TOSHIBA. Even with TOSHIBA's written permission, reproduction is permissible only if reproduction is without alteration/omission.
- Though TOSHIBA works continually to improve Product's quality and reliability, Product can malfunction or fail. Customers are responsible for complying with safety standards and for providing adequate designs and safeguards for their hardware, software and systems which minimize risk and avoid situations in which a malfunction or failure of Product could cause loss of human life, bodily injury or damage to property, including data loss or corruption. Before customers use the Product, create designs including the Product, or incorporate the Product into their own applications, customers must also refer to and comply with (a) the latest versions of all relevant TOSHIBA information, including without limitation, this document, the specifications, the data sheets and application notes for Product and the precautions and conditions set forth in the "TOSHIBA Semiconductor Reliability Handbook" and (b) the instructions for the application with which the Product will be used with or for. Customers are solely responsible for all aspects of their own product design or applications, including but not limited to (a) determining the appropriateness of the use of this Product in such design or applications; (b) evaluating and determining the applicability of any information contained in this document, or in charts, diagrams, programs, algorithms, sample application circuits, or any other referenced documents; and (c) validating all operating parameters for such designs and applications. **TOSHIBA ASSUMES NO LIABILITY FOR CUSTOMERS' PRODUCT DESIGN OR APPLICATIONS.**
- **PRODUCT IS NEITHER INTENDED NOR WARRANTED FOR USE IN EQUIPMENTS OR SYSTEMS THAT REQUIRE EXTRAORDINARILY HIGH LEVELS OF QUALITY AND/OR RELIABILITY, AND/OR A MALFUNCTION OR FAILURE OF WHICH MAY CAUSE LOSS OF HUMAN LIFE, BODILY INJURY, SERIOUS PROPERTY DAMAGE AND/OR SERIOUS PUBLIC IMPACT ("UNINTENDED USE").** Except for specific applications as expressly stated in this document, Unintended Use includes, without limitation, equipment used in nuclear facilities, equipment used in the aerospace industry, medical equipment, equipment used for automobiles, trains, ships and other transportation, traffic signaling equipment, equipment used to control combustions or explosions, safety devices, elevators and escalators, devices related to electric power, and equipment used in finance-related fields. **IF YOU USE PRODUCT FOR UNINTENDED USE, TOSHIBA ASSUMES NO LIABILITY FOR PRODUCT.** For details, please contact your TOSHIBA sales representative.
- Do not disassemble, analyze, reverse-engineer, alter, modify, translate or copy Product, whether in whole or in part.
- Product shall not be used for or incorporated into any products or systems whose manufacture, use, or sale is prohibited under any applicable laws or regulations.
- The information contained herein is presented only as guidance for Product use. No responsibility is assumed by TOSHIBA for any infringement of patents or any other intellectual property rights of third parties that may result from the use of Product. No license to any intellectual property right is granted by this document, whether express or implied, by estoppel or otherwise.
- **ABSENT A WRITTEN SIGNED AGREEMENT, EXCEPT AS PROVIDED IN THE RELEVANT TERMS AND CONDITIONS OF SALE FOR PRODUCT, AND TO THE MAXIMUM EXTENT ALLOWABLE BY LAW, TOSHIBA (1) ASSUMES NO LIABILITY WHATSOEVER, INCLUDING WITHOUT LIMITATION, INDIRECT, CONSEQUENTIAL, SPECIAL, OR INCIDENTAL DAMAGES OR LOSS, INCLUDING WITHOUT LIMITATION, LOSS OF PROFITS, LOSS OF OPPORTUNITIES, BUSINESS INTERRUPTION AND LOSS OF DATA, AND (2) DISCLAIMS ANY AND ALL EXPRESS OR IMPLIED WARRANTIES AND CONDITIONS RELATED TO SALE, USE OF PRODUCT, OR INFORMATION, INCLUDING WARRANTIES OR CONDITIONS OF MERCHANTABILITY, FITNESS FOR A PARTICULAR PURPOSE, ACCURACY OF INFORMATION, OR NONINFRINGEMENT.**
- Do not use or otherwise make available Product or related software or technology for any military purposes, including without limitation, for the design, development, use, stockpiling or manufacturing of nuclear, chemical, or biological weapons or missile technology products (mass destruction weapons). Product and related software and technology may be controlled under the applicable export laws and regulations including, without limitation, the Japanese Foreign Exchange and Foreign Trade Law and the U.S. Export Administration Regulations. Export and re-export of Product or related software or technology are strictly prohibited except in compliance with all applicable export laws and regulations.
- Please contact your TOSHIBA sales representative for details as to environmental matters such as the RoHS compatibility of Product. Please use Product in compliance with all applicable laws and regulations that regulate the inclusion or use of controlled substances, including without limitation, the EU RoHS Directive. **TOSHIBA ASSUMES NO LIABILITY FOR DAMAGES OR LOSSES OCCURRING AS A RESULT OF NONCOMPLIANCE WITH APPLICABLE LAWS AND REGULATIONS.**