

**92**mm sq.

# San Ace 92WF

25mm thick, 32mm thick



## General Specifications

- Material ..... Frame: Plastics (Flammability: UL94V-0), Impeller: Plastics (Flammability: UL94V-0)
- Expected Life ..... Refer to specifications (L10:Survival rate: 90% at 60°C , rated voltage, and continuously run in a free air state)
- Lead Wire ..... ⊕red ⊖black (Sensor) yellow
- Storage Temperature ..... -30°C to +70°C (Non-condensing)

The product can be used in an oil mist environment\*

\*Environment where machining oil mist is scattered.  
Usage of this product requires an evaluation with the oil that will be used.

**92×92×32mm** (Mass : 185g) **IP 55** Dust resistant device with protection against water jets

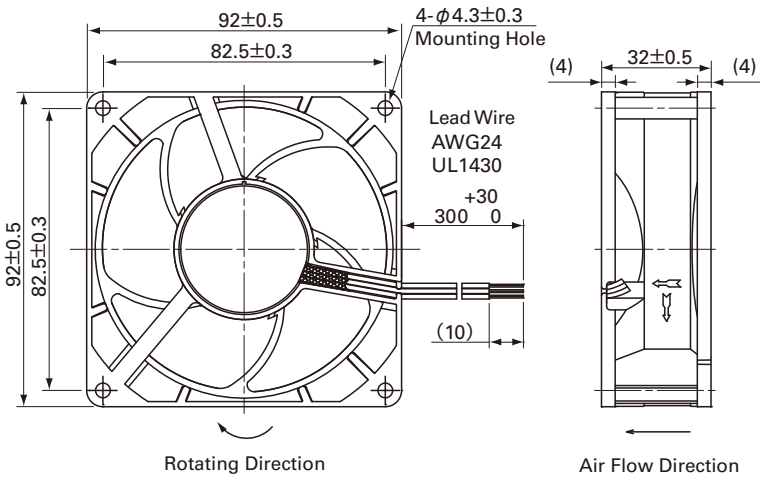
## Specifications

The following nos. have pulse sensors and ribs.

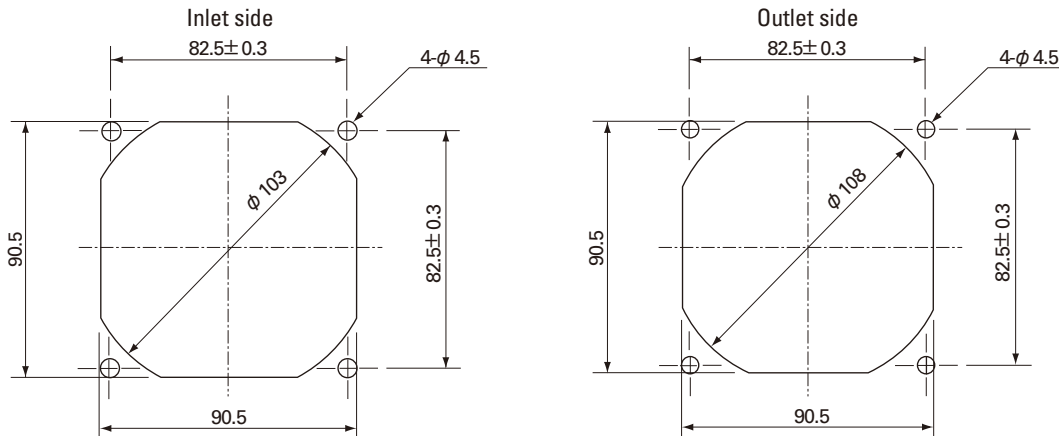
| Model No.   | Rated Voltage [V] | Operating Voltage Range [V] | Rated Current [A] | Rated Input [W] | Rated Speed [min <sup>-1</sup> ] | Max. Air Flow [m <sup>3</sup> /min] [CFM] | Max. Static Pressure [Pa] [inchH <sub>2</sub> O] | SPL [dB(A)] | Operating Temperature [°C] | Expected Life [h] |
|-------------|-------------------|-----------------------------|-------------------|-----------------|----------------------------------|---|--|-------------|----------------------------|-------------------|
| 9WF0924S201 | 24                | 20.4 to 27.6                | 0.5               | 12              | 7,300                            | 2.8 98.9                                  | 255 1.02   | 58          | -10 to +70                 | 40,000            |
| 9WF0924H201 |                   |                             | 0.35              | 8.4             | 6,500                            | 2.45 86.5                                 | 200 0.8  | 56          |                            |                   |

Available options: ⇒ Without Sensor

## Dimensions (Unit : mm)



## Reference dimension of mounting holes and vent opening (Unit : mm)

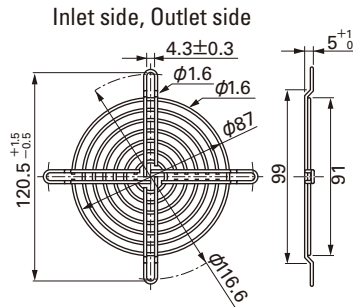
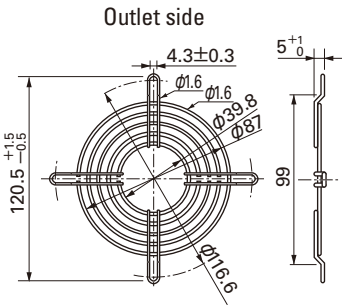


## Options (Unit : mm)

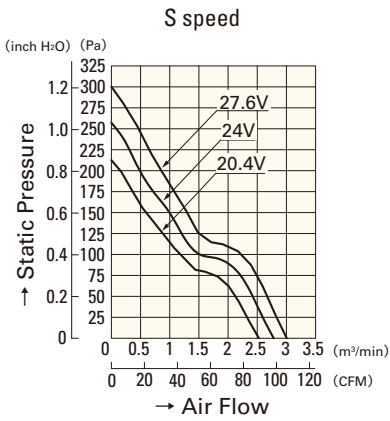
### Finger guards

Model : 109-099C Surface treatment : Nickel-chrome plating (silver) Color

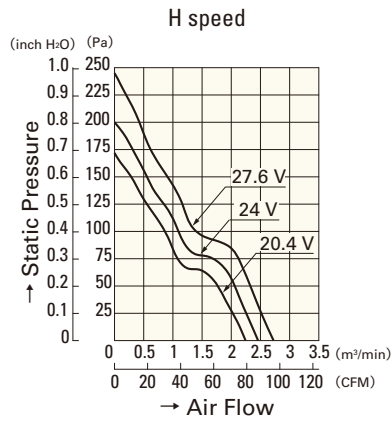
Model : 109-099E Surface treatment : Nickel-chrome plating (silver) Color  
: 109-099H : Cation electropainting (black)



## Air Flow - Static Pressure Characteristics



9WF0924S201



9WF0924H201