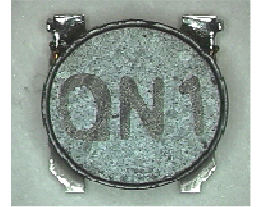
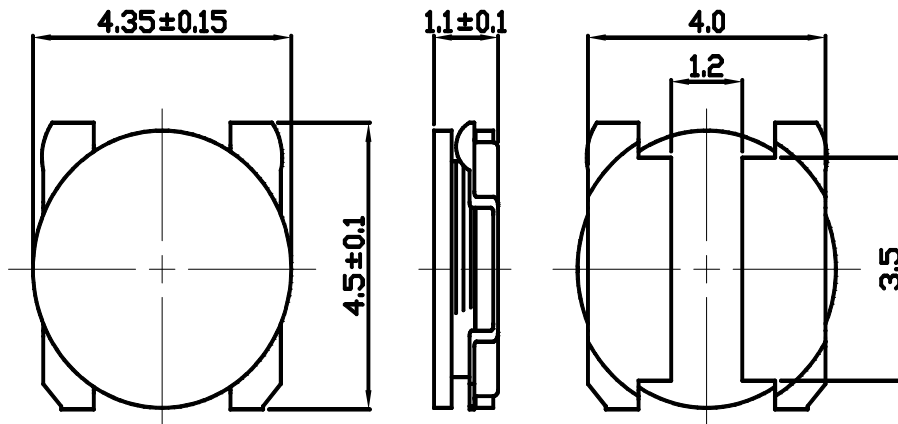
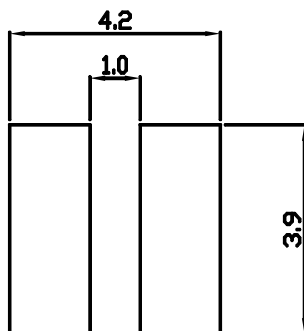


Type: CDH43D11D/HP
◆ Product Description

- 4.6×4.5mm Max.(L×W), 1.2mm Max. Height.
- Inductance range: 1.0~22 μ H.
- Rated current range: 0.68~3.12A.
- In addition to the standard versions of inductors shown here, custom inductors are available to meet your exact requirements.


◆ Feature

- Magnetically unshielded construction.
- Storage temperature range: -40°C ~+105°C.
- Operating temperature range: -40°C ~+105°C (Including coil's self temperature rise).
- Ideally used in Mobilephone, PDA, MP3, DSC/DVC, HDD, etc as DC-DC converter inductors.
- Product weight: 0.073g (Ref.).
- RoHS compliance and Halogen free.

◆ Dimensions (mm)

◆ Land Pattern (mm)


Type: CDH43D11D/HP
◆ Specification

Part Name ※	Stamp	Inductance (μ H) 100kHz/1V	D.C.R.(m Ω) (20°C)	Saturation Current (A) ※1	Temperature Rise Current (A) ※2
CDH43D11DHPNP-1R0N□	A	1.0 \pm 30%	44 \pm 25%	3.30	3.12
CDH43D11DHPNP-1R6N□	C	1.6 \pm 30%	65 \pm 25%	2.60	2.90
CDH43D11DHPNP-2R2M□	E	2.2 \pm 20%	88 \pm 25%	2.20	2.70
CDH43D11DHPNP-3R3M□	G	3.3 \pm 20%	128 \pm 20%	1.80	2.23
CDH43D11DHPNP-4R7M□	J	4.7 \pm 20%	180 \pm 20%	1.50	1.85
CDH43D11DHPNP-6R8M□	L	6.8 \pm 20%	250 \pm 20%	1.28	1.52
CDH43D11DHPNP-100M□	N	10 \pm 20%	360 \pm 20%	1.04	1.26
CDH43D11DHPNP-150M□	Q	15 \pm 20%	505 \pm 20%	0.84	1.04
CDH43D11DHPNP-220M□	S	22 \pm 20%	1030 \pm 20%	0.68	0.78

※ Description of part name

CDH43D11DHPNP-1R0N□

- B: Box
- C: Carrier Tape

※1.Saturation current: The DC current at which the inductance decreases to 70% of its nominal value.

※2.Temperature rise current: The DC current at which the temperature rise is $\Delta t=40^{\circ}\text{C}$.($T_a=20^{\circ}\text{C}$)