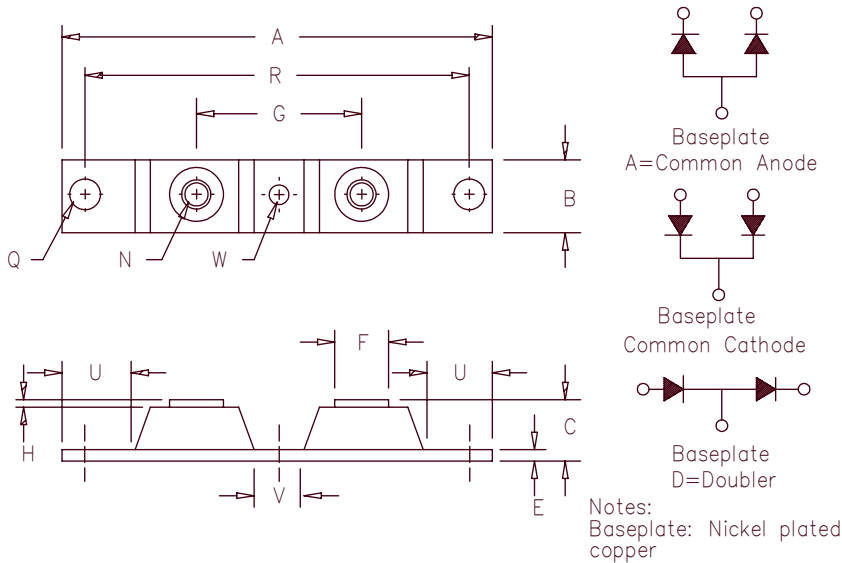


# Schottky PowerMod CPT60050 — CPT60060



Dim. Inches		Millimeters		Notes
Min.	Max.	Min.	Max.	
A	---	3.630	---	92.20
B	0.700	0.800	17.78	20.32
C	---	0.680	---	17.28
E	0.120	0.130	3.05	3.30
F	0.490	0.510	12.45	12.95
G	1.375 BSC		34.92 BSC	
H	0.010	---	0.25	---
N	---	---	---	1/4-20
Q	0.275	0.290	6.99	7.37 Dia.
R	3.150 BSC		80.01 BSC	
U	0.600	---	15.24	---
V	0.312	0.340	7.92	8.64
W	0.180	0.195	4.57	4.95 Dia.

Microsemi Catalog Number	Working Peak Reverse Voltage	Repetitive Peak Reverse Voltage
CPT60050*	50V	50V
CPT60060*	60V	60V

\*Add Suffix A for Common Anode, D for Doubler

- Schottky Barrier Rectifier
- Guard Ring Protection
- 600 Amperes/50 to 60 Volts
- 175°C Junction Temperature
- Reverse Energy Tested
- ROHS Compliant

Electrical Characteristics		
Average forward current per pkg	I <sub>F(AV)</sub> 600 Amps	T <sub>C</sub> = 136°C, Square wave, R <sub>θJC</sub> = 0.10°C/W
Average forward current per leg	I <sub>F(AV)</sub> 300 Amps	T <sub>C</sub> = 136°C, Square wave, R <sub>θJC</sub> = 0.20°C/W
Maximum surge current per leg	I <sub>FSM</sub> 6000 Amps	8.3ms, half sine, T <sub>J</sub> = 175°C
Maximum repetitive reverse current per leg	I <sub>R(OV)</sub> 2 Amps	f = 1 KHZ, 25°C, 1μsec square wave
Max peak forward voltage per leg	V <sub>FM</sub> 0.72 Volts	I <sub>FM</sub> = 300A; T <sub>J</sub> = 25°C
Max peak forward voltage per leg	V <sub>FM</sub> 0.58 Volts	I <sub>FM</sub> = 300A; T <sub>J</sub> = 175°C
Max peak reverse current per leg	I <sub>RM</sub> 75 mA	V <sub>RRM</sub> , T <sub>J</sub> = 125°C*
Max peak reverse current per leg	I <sub>RM</sub> 8.0 mA	V <sub>RRM</sub> , T <sub>J</sub> = 25°C
Typical junction capacitance per leg	C <sub>J</sub> 11,100 pF	V <sub>R</sub> = 5.0V, T <sub>C</sub> = 25°C

\*Pulse test: Pulse width 300μsec, Duty cycle 2%

Thermal and Mechanical Characteristics		
Storage temp range	T <sub>STG</sub>	-55°C to 175°C
Operating junction temp range	T <sub>J</sub>	-55°C to 175°C
Max thermal resistance per leg	R <sub>θJC</sub>	0.20°C/W Junction to case
Max thermal resistance per pkg	R <sub>θJC</sub>	0.10°C/W Junction to case
Typical thermal resistance (greased)	R <sub>θCS</sub>	0.08°C/W Case to sink
Terminal Torque		35-50 inch pounds
Mounting Base Torque (outside holes)		30-40 inch pounds
Mounting Base Torque (center hole)		8-10 inch pounds
center hole must be torqued first		
Weight		2.8 ounces (78 grams) typical

# CPT60050 — CPT60060

Figure 1  
Typical Forward Characteristics – Per Leg

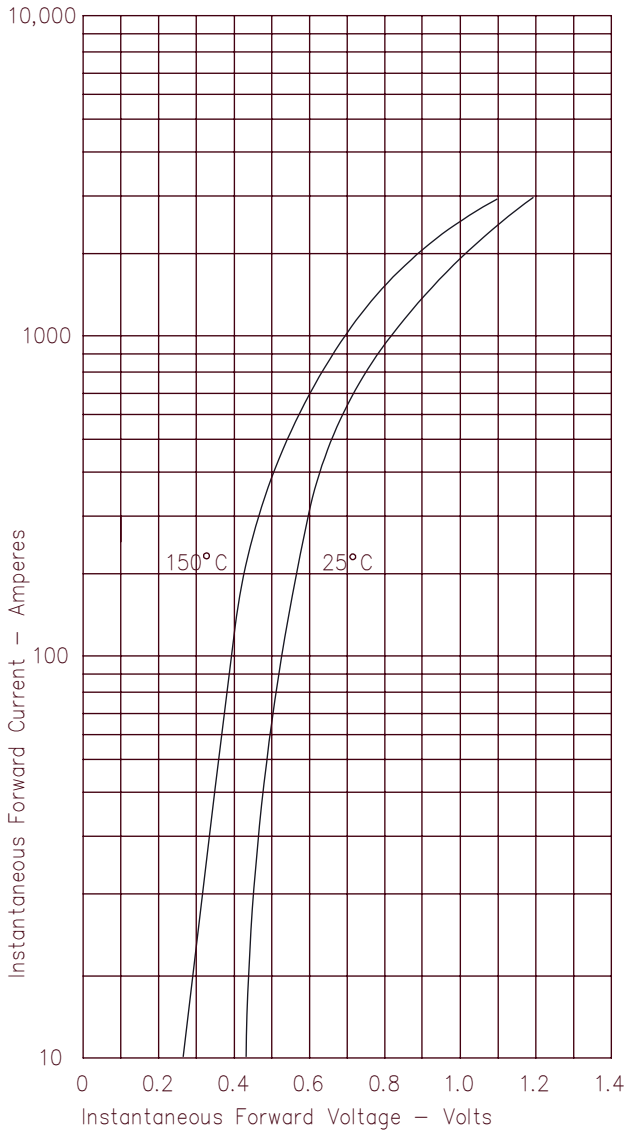


Figure 3  
Typical Junction Capacitance – Per Leg

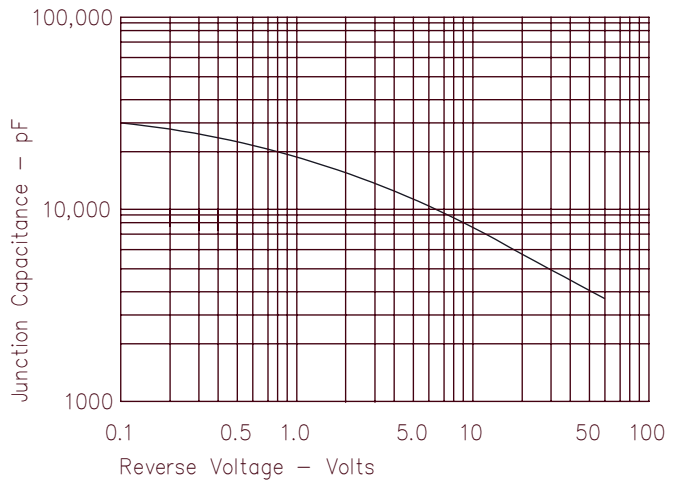


Figure 4  
Forward Current Derating – Per Leg

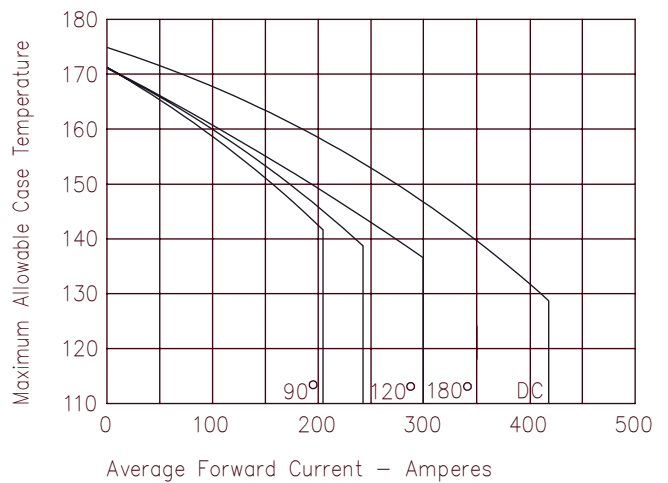


Figure 2  
Typical Reverse Characteristics – Per Leg

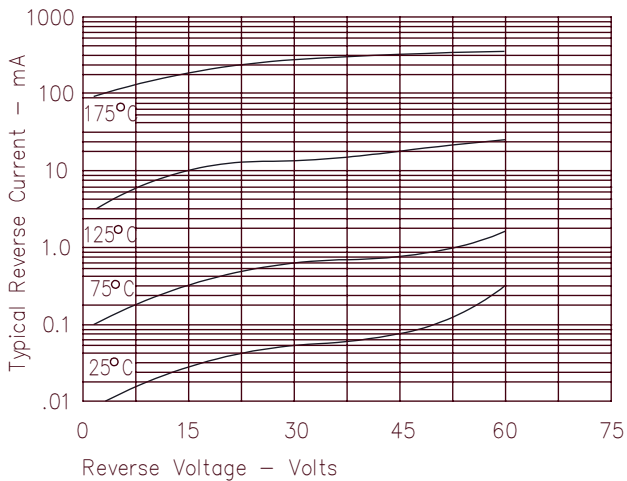


Figure 5  
Maximum Forward Power Dissipation – Per Leg

