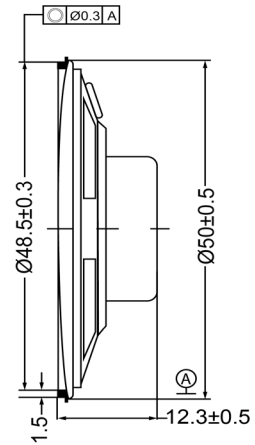
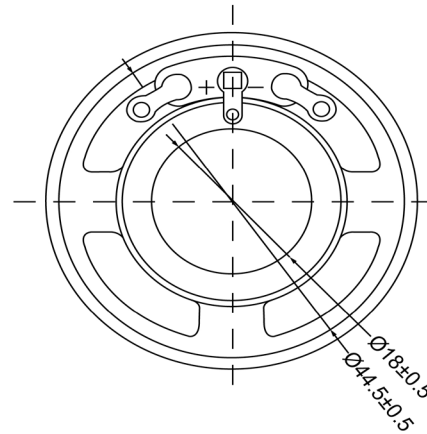




SIDE VIEW



BOTTOM VIEW



Specifications			Notes	Revision History					
Description	Value	Unit		Version	Description	Date	Approved		
Shape	Round		1) All dimensions are in mm unless otherwise noted 2) All parts meet RoHS	1	Released from Engineering	10/21/2013	J.S		
Resonant Frequency	400	(Hz)							
Frequency Range	400 ~ 5,000	(Hz)							
SPL @ 10cm	103	(dBA)							
Impedance	45	(Ohm)							
Cone Material	Paper								
Nominal Power	0.25	(W)							
Max Power	0.4	(W)							
Mount Type	Flush								
Operating Temperature	-40 ~ +66	°C							
Storage Temperature	-40 ~ +66	°C							
Weight	17	(g)							
						Dynamic Speaker		SP500445-1	
						Drawn by: A.B. Date: 10/21/2013 Checked by: C.E. Date: 10/21/2013 Approved by: J.S Date: 10/21/2013			