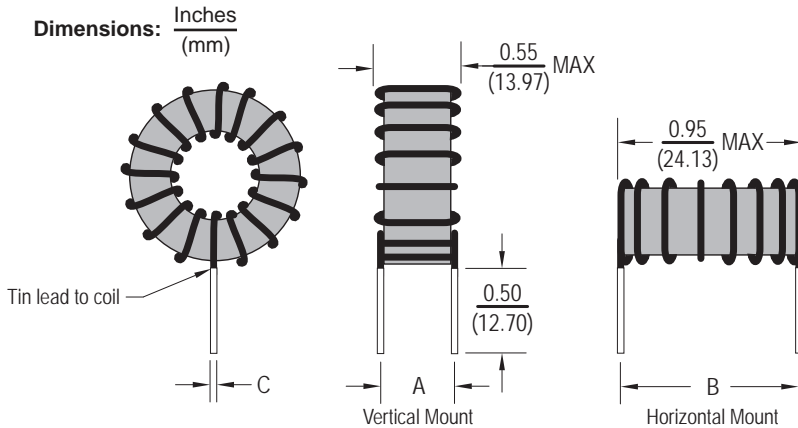
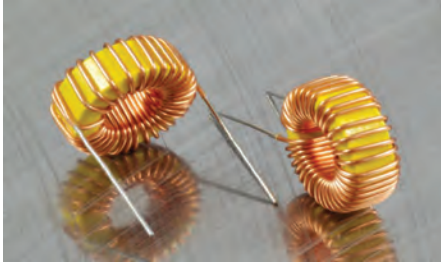




Toroid Chokes High Temp

TC220HT



Allied Part Number	Inductance (μH) @ 1KHZ	Tolerance (%)	L(μH) ±15% @ I rated	IDC (A)	DCR (Ω) MAX	DIM A (Nom)	DIM B (Nom)	DIM C (Nom)
()TC220HT-1R2L-RC	1.2	15	1.0	23.8	.003	.46	.88	.053
()TC220HT-1R8L-RC	1.8	15	1.5	21.8	.003	.46	.88	.053
()TC220HT-2R2L-RC	2.2	15	1.8	20.1	.005	.46	.88	.053
()TC220HT-3R3L-RC	3.3	15	2.7	18.8	.005	.46	.88	.053
()TC220HT-3R9L-RC	3.9	15	3.1	17.8	.006	.46	.88	.053
()TC220HT-4R7L-RC	4.7	15	3.7	16.9	.006	.46	.88	.053
()TC220HT-5R6L-RC	5.6	15	4.4	16.1	.007	.46	.88	.053
()TC220HT-6R8L-RC	6.8	15	5.2	15.7	.007	.46	.88	.053
()TC220HT-8R2L-RC	8.2	15	6.2	15.1	.008	.46	.88	.053
()TC220HT-100L-RC	10	15	7.9	11.2	.014	.46	.88	.053
()TC220HT-120L-RC	12	15	9.4	10.9	.015	.46	.88	.053
()TC220HT-150L-RC	15	15	11.5	10.3	.017	.46	.88	.053
()TC220HT-180L-RC	18	15	13.6	9.7	.018	.46	.88	.053
()TC220HT-220L-RC	22	15	16.3	9.3	.020	.45	.87	.042
()TC220HT-270L-RC	27	15	19.7	8.9	.022	.45	.87	.042
()TC220HT-330L-RC	33	15	23.5	8.4	.025	.45	.87	.042
()TC220HT-390L-RC	39	15	27.4	8.1	.026	.45	.87	.042
()TC220HT-470L-RC	47	15	34.9	6.4	.042	.44	.86	.034
()TC220HT-560L-RC	56	15	40.9	6.1	.046	.44	.86	.034
()TC220HT-680L-RC	68	15	48.8	5.8	.050	.44	.86	.034
()TC220HT-820L-RC	82	15	57.6	5.6	.055	.48	.90	.034
()TC220HT-101L-RC	100	15	68.9	5.3	.061	.48	.90	.034
()TC220HT-121L-RC	120	15	80.8	5.0	.067	.48	.90	.034
()TC220HT-151L-RC	150	15	98.4	4.8	.075	.48	.90	.034
()TC220HT-181L-RC	180	15	115.6	4.6	.082	.48	.90	.034
()TC220HT-221L-RC	220	15	137.5	4.3	.091	.48	.90	.034
()TC220HT-271L-RC	270	15	184.8	3.3	.160	.46	.88	.027
()TC220HT-331L-RC	330	15	220.7	3.1	.180	.46	.88	.027
()TC220HT-391L-RC	390	15	255.2	3.0	.190	.46	.88	.027
()TC220HT-471L-RC	470	15	300.5	2.8	.210	.49	.91	.027
()TC220HT-561L-RC	560	15	350.3	2.7	.230	.49	.91	.027
()TC220HT-680L-RC	680	15	414.8	2.6	.270	.49	.91	.027
()TC220HT-821L-RC	820	15	548.5	2.0	.440	.49	.91	.022
()TC220HT-102L-RC	1000	15	653.1	1.9	.490	.49	.91	.022

Please specify Vertical or Horizontal Mount by placing a V or H at the beginning of the part number, i.e. VTC220HT-100L (Vertical Mount). All specifications subject to change without notice.

Features

- High Temperature rating up to 200°C
- Low Magnetic Radiation
- Low Core Loss
- High current capacity up to 23 Amps
- Available in Horizontal or Vertical configuration

Electrical

Inductance Range: 1.2μh to 1000μh

Additional values available

Tolerance: 15% over entire range

Test Frequency: 1KHz

Operating Temp: -55°C ~ +200°C

Temp Rise: Δ T=50°C Typical at rated IDC

Test Equipment

(L): 100 LCR meter or equivalent

DCR: Chen Hwa 502

Physical

Packaging: Bulk

Marking: None