



AN L5991-BASED CONVERTER WITH  
TEMPORARY EXTRA POWER CAPABILITY

by C. Adragna

*In some applications the SMPS, normally supposed to deliver a certain amount of power, from time to time undergoes load peaks that can be even two or more times as much. Such peaks are often too long to be properly handled by oversizing the output capacitors, but short if compared to the thermal time constants of the power components. Typical examples of such loads are motors and audio systems.*

*In this case, designing the SMPS for the peak power demand from the load would lead to a poorly used and more expensive system. It is more cost-effective to design for the maximum continuous power and allow the peak power to pass. However, if for any reason the load demands such peak power level for a long time, some of the power components, not sized for withstanding this, will definitely fail unless the system is stopped somehow.*

*In this application note a design example of such a system, based on the ST's advanced PWM controller L5991, is carried out.*

**Introduction**

Purpose of this note is to provide a few brief design guidelines on the switch-mode power supply whose electrical specification is summarized in the following table.

**Table 1. Design Electrical Specification**

Symbol	Parameter	Value	Unit
$V_{in}$	Input Voltage Range	88 to 264	$V_{ACrms}$
$f_L$	Mains Frequency	50/60	Hz
$P_{outx}$	Maximum Continuous Output Power	45	W
$P_{outpk}$	Peak Output Power ( $t \leq 0.5$ s) (*)	75	W
$V_{out}$	Regulated Output Voltage (@ $P_{out} = 0 \div P_{outpk}$ , $V_{in} = 88 \div 264$ V <sub>AC</sub> )	$18V \pm 2\%$	V
$\Delta V_{out}$	Output Voltage Ripple (@ $P_{out} = P_{outx}$ , $V_{in} = 88 \div 264$ V <sub>AC</sub> )	2	%
$F_{osc}$	Normal Operation Switching Frequency	70	kHz
$F_{SB}$	Light Load Switching Frequency	18	kHz
$\eta$	Target Efficiency (@ $P_{out} = P_{outx}$ , $V_{in} = 88 \div 264$ V <sub>AC</sub> )	80	%
	Maximum Input Power (@ $P_{out} = 0.5$ W, $V_{in} = 88 \div 264$ V <sub>AC</sub> )	$\leq 2$	W
	Maximum Input Power (Open load, $V_{in} = 88 \div 264$ V <sub>AC</sub> )	$\leq 1$	W

Notes:

(\*) If  $P_{out}$  is such that  $P_{outx} < P_{out} \leq P_{outpk}$  the converter shall be shutdown (latch mode) within 1÷2 s; a load exceeding  $P_{outpk}$  shall cause converter's shutdown (latch mode) within 10÷100 ms.

The special requirement for this converter is the ability to cope with a peak power demand from the load that exceeds the maximum continuous power by over 66% for a limited time ( $\leq 0.5$  s), still maintaining output voltage regulation, and to automatically shut down in case this overload lasts more than a specified time. Furthermore,



**Adaptations and modifications of the original design**

With reference to the schematic of figure 1, here follows a step-by-step discussion on the modifications needed for fulfilling the spec of table 1.

*Input Capacitor.* Looking at the evaluation results presented in [1], it is reasonable to assume that with 75 W load the input power will be around 90 W. Estimating about 5 W power loss before the transformer, the power managed by the transformer will be 85 W. With the worst-case spread (-20 %) of C1, that is with C1=80 µF, the valley voltage across C1 is expected to be around 54 V. Under these conditions the maximum peak primary current will be around 3.24A, exceeding the saturation current of the transformer (2.84A).

Moreover, the maximum duty cycle (@ Vin = 54V) will be around 59%: since the system is working in CCM, slope compensation will be needed to avoid unconditional instability of the current loop and the resulting sub-harmonic oscillations.

To avoid remaking the transformer and adding the slope compensation circuit, an attempt can be done using a larger C1. Assuming there is no change in power levels, with 150 µF capacitance (120 µF, worst case), the valley voltage across C1 will be 78 V, the maximum peak primary current 2.88 A and the maximum duty cycle 50%. Although necessary, this step is not enough to guarantee that the transformer will not saturate and then the system is still very close to the instability limit. The transformer needs then to be modified anyway (see the following points).

*Sense resistor.* The sense resistor R15 needs reducing, to allow a peak primary current of 2.88 A. The maximum value should be  $0.92\text{ V} / 2.88\text{ A} = 0.319\Omega$ . This will be achieved by paralleling a 1Ω resistor (1%, metallic film) to the existing 0.47Ω. The worst-case peak current, will be  $1.08\text{ V} / 0.319\Omega = 3.39\text{ A}$ .

*Transformer.* The changes to the transformer aim at meeting two specific requirements: 1) not to saturate with 3.39A primary current; 2) to reduce the maximum duty cycle below 50%, to avoid the use of a slope compensation circuit. Design constraint is the core size, which must be unchanged. The increase of total losses should be as low as possible.

Starting from point 2), to maintain the same maximum duty cycle as in the original design, the turn ratio should be reduced proportionally to the reduction of the valley voltage across C1. Formerly, with 45 W load, the worst-case valley voltage was 83 V and now is 78 V, then the new turn ratio is  $(50/12) \cdot (78/83) = 3.916$ .

**Table 2. Modified transformer specification**

Core	Philips EFD30x15x9, 3C85 Material or equivalent				
Bobbin	Horizontal mounting, 12 pins				
Air gap	≈1.4 mm for an inductance 2-6 of 360 µH				
Leakage inductance	< 10 µH				
Windings Spec & Build	Winding	Wire	S-F	Turns	Notes
	Pri1	AWG27	2-4	30	
	Sec (a)	AWG25	11-7	16	Bifilar with Sec (b)
	Sec (b)	AWG25	12-8	16	Bifilar with Sec (a)
	Pri2	AWG27	4-6	30	
	Aux	AWG32	3-1	14	Evenly spaced
Note: sec (a) and sec (b) are paralleled on the PCB					

To make sure that the core will not saturate with 3.39A, keeping the same inductance value, the number of turns of the primary winding should be raised from 50 to 66 and the air gap from 0.7 to 1.5 mm. To reduce the copper, it is acceptable to reduce the primary inductance by 10%: in this way the primary winding turn number will be 60 and the air gap 1.4 mm.

The secondary turn number will be  $60/3.916=15.321$ , rounded off to 16. Keeping the same wire diameters, the primary resistance will be increased by a factor 60/50, that is 20%, and the secondary resistance by 33% and so will be the respective conduction losses (the RMS currents change very little). However, the flux swing is

## AN1686 APPLICATION NOTE

reduced by 18%, which means that the core losses will be reduced by about 38%. The estimated total loss increase is only 0.1 W, hence the hot-spot temperature increase (as compared to the original design) should be under 3 °C. It is then not necessary to change the wire size.

The specification of the modified transformer is summarized in Table 2.

**Table 3. List of modifications to the original design**

Part	Original value	New Value	Note
C1	100 μF	150 μF	
R15	0.47 Ω	0.319 Ω = (0.47 Ω // 1 Ω)	Same power rating
T1	See [1]	See table 2	
R2, R3	2.2 MΩ	1.6 MΩ	Same power rating

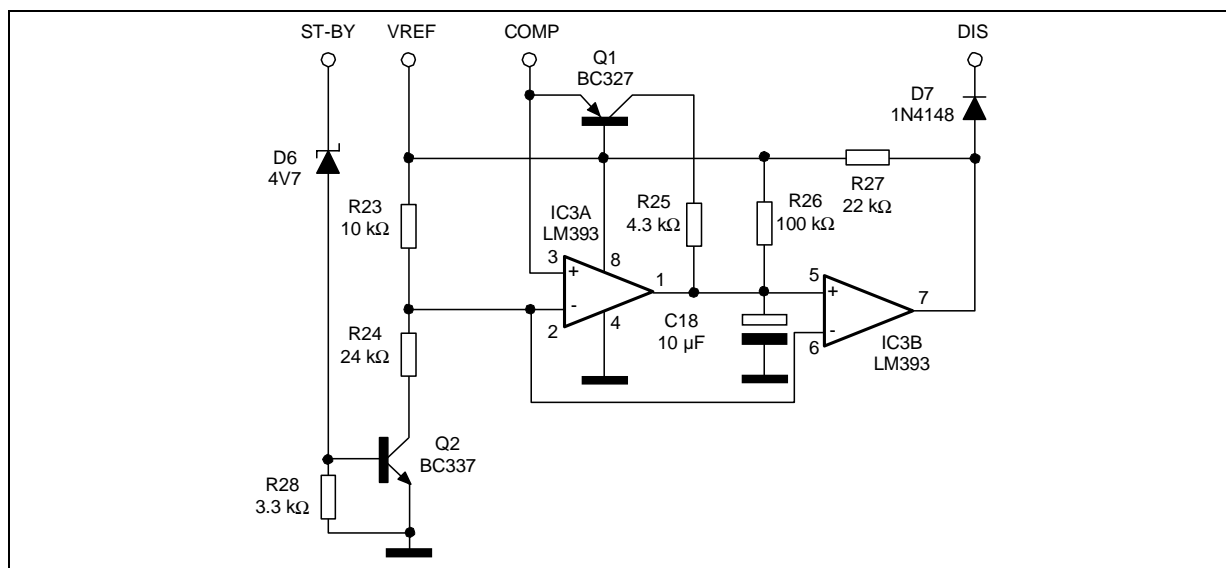
*Input voltage compensation.* R3 and R4 compensate for the internal propagation delay of the PWM block to achieve an actual overcurrent setpoint independent of the input voltage. Their value is directly proportional to the sense resistor R15 and inversely to the primary inductance. Since both parameters are changed R3 and R4 needs adjustment. The new value for each of them will be  $2.2 \text{ M}\Omega \cdot (0.319/0.47) \cdot (400/360) = 1.6 \text{ M}\Omega$ .

Table 3 summarizes all of the modifications described in this paragraph.

### Circuit for delayed shutdown upon overpower/short circuit

The objective of the circuit of figure 2 is to provide a double programmable delay before shutting down the L5991 following on either an overload (a longer delay) or a short circuit (a shorter delay).

**Figure 2. Circuit for delayed shutdown upon overpower/short circuit: electrical schematic**



R23 and R24 define a voltage threshold, which the output of the E/A (COMP) will be compared to. If the L5991 is running at normal frequency, that is, the pin ST-BY is internally connected to the 5V reference VREF, Q2 is ON and the voltage at pin 2 of the LM393 is:

$$V2 = VREF \cdot \frac{R24}{R23 + R24} \quad (1)$$

If the L5991 is running at low frequency (because of a light load) the pin ST-BY is floating and, being connected to the oscillator through a resistor [2], oscillates between 1 and 3 V, well below the threshold of the zener D6. Q2 is then OFF and V2 equals VREF, hence the voltage at pin COMP, V(COMP), cannot exceed V2 as long as

the converter is in regulation ( $P_{out} \leq P_{outpk}$ ). This is to avoid any interference with the Standby function: with a light load and the L5991 running at the lower frequency,  $V(\text{COMP})$  might be greater than the value of  $V2$  defined by (1), thus triggering the delayed shutdown function erroneously.

Assuming Q2 is ON, when  $V(\text{COMP}) > V2$  the output of IC3A (which is open-collector) goes high and C18 is charged through R26. The time needed for C18 to be charged at  $V2$  is:

$$T_{d1} = R26 \cdot C18 \cdot \ln\left(\frac{V_{REF}}{V_{REF} - V2}\right)$$

When this voltage is reached, the output of IC3B goes high and the voltage at pin DIS of the L5991 is pulled above 2.5V, thus causing a latched shutdown of the PWM controller and of the converter too. The converter will stay idle as long as it is supplied by the input power source. To be able to restart the system, the power source must be removed. The diode D7 is used because the pin DIS is already biased (by a resistor divider to set up OVP protection) so as to decouple the two circuits.

Note that if the condition  $V(\text{COMP}) > V2$  disappears (i.e.  $P_{out}$  falls below  $P_{outx}$ ) before  $T_{d1}$  has elapsed, the output of IC3A goes back low thus discharging C18 and stopping this slow shutdown countdown.

In case of short circuit COMP will saturate high and tend to go over 6 V. In that case not only the output of IC3B will go high but also Q1 will be turned on ( $V(\text{COMP})$  will be clamped at about 5.6V), thus C18 will be charged through R25 and R26. This circuit is analogous to that shown in [3]. The delay will be approximately:

$$T_{d2} \approx R25 \cdot C18 \cdot \ln\left(\frac{V_{REF}}{V_{REF} - V2}\right),$$

since R25 is selected  $\ll$  R26, so that  $T_{d2} \ll T_{d1}$ .

Note, if  $V(\text{COMP})$  goes back to the regulation region (i.e.  $P_{out}$  falls below  $P_{outpk}$ ) before  $T_{d2}$  has elapsed, the charge of C18 through R25 will be stopped; the slow charge through R26 can be stopped too or still go on, depending on whether  $V(\text{COMP})$  has fallen below  $V2$  ( $P_{out} < P_{outx}$ ) or not.

One more comment: COMP is saturated high and Q1 turned on (initiating the fast shutdown countdown) every time the converter is started up, during the ramp-up of the output voltage from zero to the regulated value. Obviously,  $T_{d2}$  needs to be greater than this time (usually, 5-20 ms) or the converter will never start.

With the part values shown in fig. 2, the results are the following:

$$V2 = 5 \cdot \frac{24}{10 + 24} = 3.53V$$

$$T_{d1} = 100 \cdot 10^3 \cdot 10 \cdot 10^{-6} \cdot \ln\left(\frac{5}{5 - 3.53}\right) = 1 \cdot \ln(3.4) = 1.22s$$

$$T_{d2} = 4.3 \cdot 10^3 \cdot 10 \cdot 10^{-6} \cdot \ln\left(\frac{5}{5 - 3.53}\right) = 4.3 \cdot 10^{-2} \cdot \ln(3.4) = 52ms$$

Refer to the appendix of [4] for formulae useful for relating the voltage level on pin COMP to the power level in a flyback converter, to be able to design the circuit under different conditions.

Figure 3 shows how the circuit of figure 2 is inserted into the modified 45W demo board (the changes are highlighted by the shaded regions) and the oscilloscope pictures of figure 4 illustrate the experimental results in case of both overload and short circuit.

If converter's latched shutdown is not desired, but the user wants the system to automatically recover normal operation when the overload/short is removed, yet maintaining a low power throughput during the fault, it is very easy to modify the circuit of figure 2 to achieve this: R27 will be reduced at 2.2 k $\Omega$  and the diode D7 connected to the ISEN pin of the L5991, so as to invoke its "Hiccup" OCP [2]. The resulting schematic is illustrated in figure 5, its insertion into the 45W AC-DC adapter is obvious.

# AN1686 APPLICATION NOTE

Figure 3. Electrical schematic of the modified 45W AC-DC adapter inclusive of the circuit of figure 2

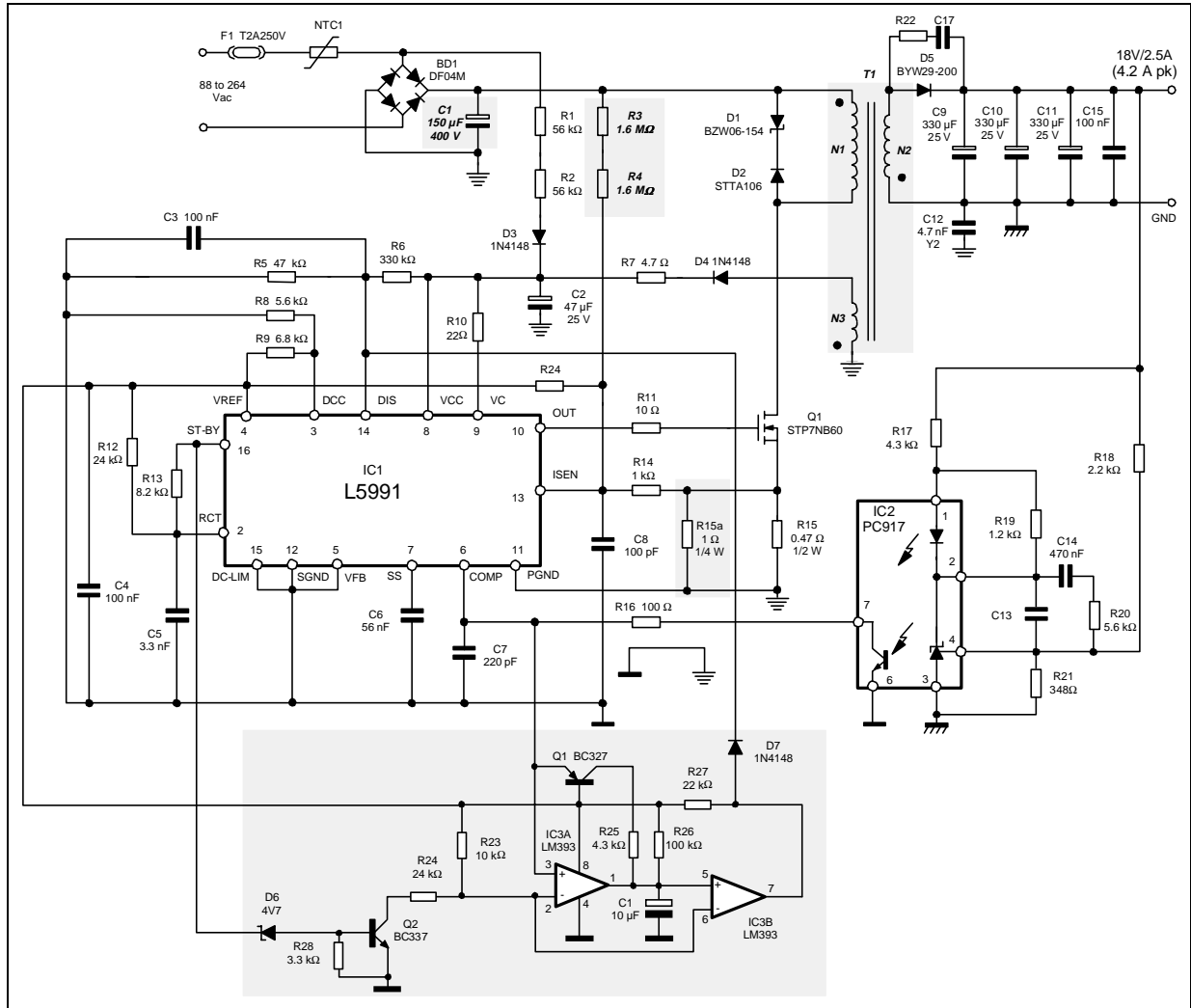


Figure 4. Timings of the circuit in figure 2: a) overload ( $I_{out} = 4\text{ A}$ ); b) short circuit

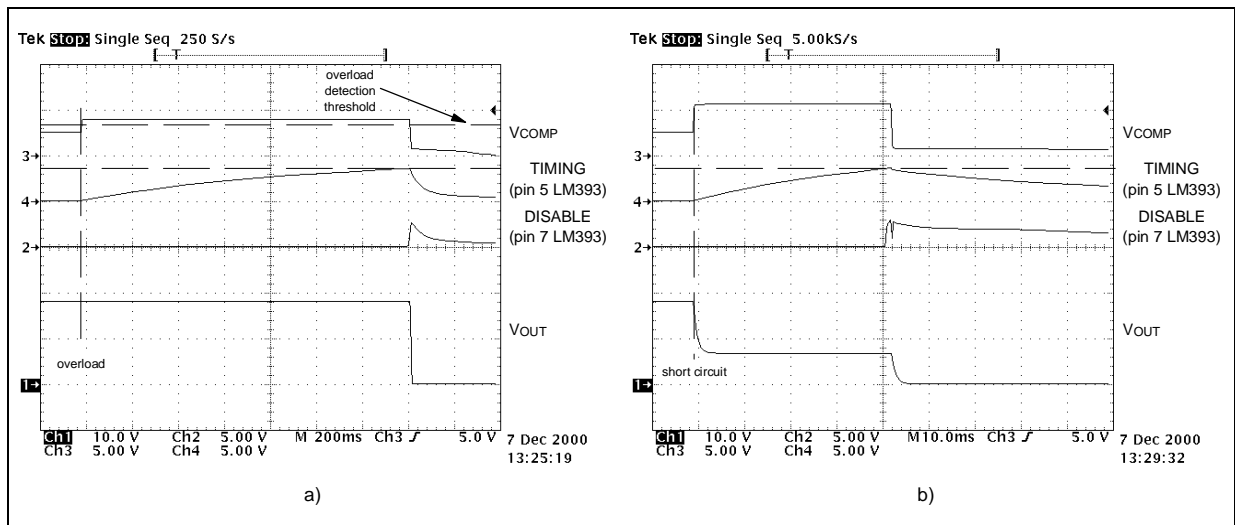
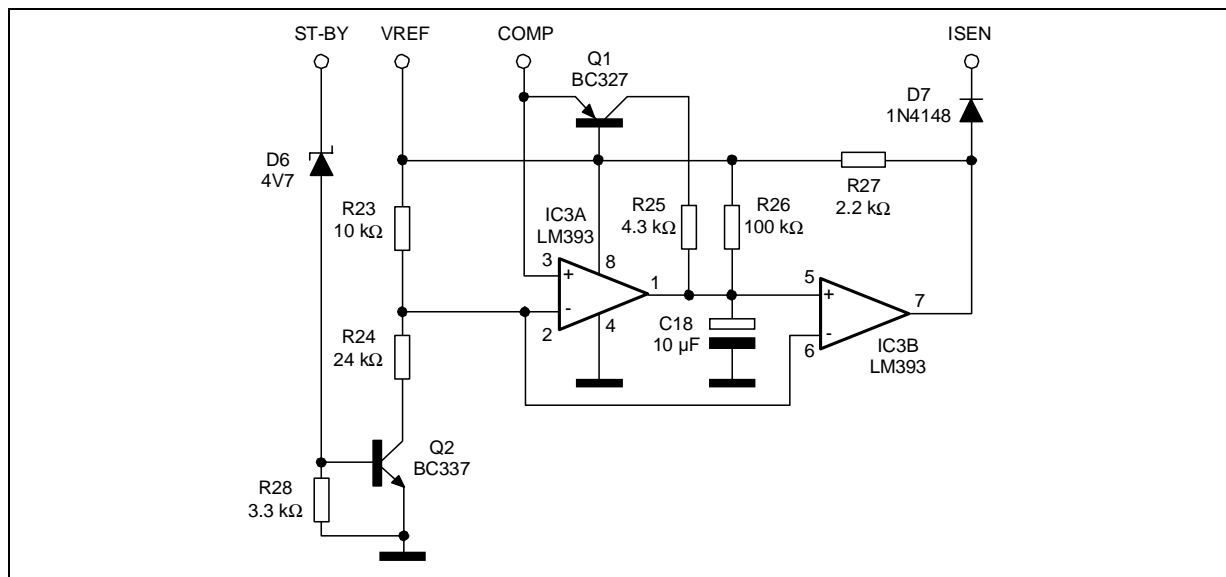


Figure 5. Circuit of figure 2 modified for autorecovery mode operation



In case of activation, the converter will be stopped and restarted after a delay set by the SS capacitor of the L5991 (C6). If this delay is long enough, the Vcc capacitor (C2) may be discharged below the UVLO threshold of the L5991, giving origin to even longer delays.

## REFERENCES

- [1] "45 W AC-DC Adapter with Standby Function" (AN1134)
- [2] "L5991 Primary Controller with Standby" Datasheet
- [3] "How to Handle Short Circuit Conditions with ST's Advanced PWM Controllers" (AN1215)
- [4] "Minimize Power Losses of Lightly Loaded Flyback Converters with the L5991 PWM Controller" (AN1049)

Information furnished is believed to be accurate and reliable. However, STMicroelectronics assumes no responsibility for the consequences of use of such information nor for any infringement of patents or other rights of third parties which may result from its use. No license is granted by implication or otherwise under any patent or patent rights of STMicroelectronics. Specifications mentioned in this publication are subject to change without notice. This publication supersedes and replaces all information previously supplied. STMicroelectronics products are not authorized for use as critical components in life support devices or systems without express written approval of STMicroelectronics.

The ST logo is a registered trademark of STMicroelectronics  
© 2003 STMicroelectronics - All Rights Reserved

STMicroelectronics GROUP OF COMPANIES

Australia - Brazil - Canada - China - Finland - France - Germany - Hong Kong - India - Israel - Italy - Japan - Malaysia - Malta - Morocco - Singapore - Spain - Sweden - Switzerland - United Kingdom - United States.

<http://www.st.com>