

|           |               |            |   |
|-----------|---------------|------------|---|
| Model NO. | LCCE-020■601  | Model Name | Constant Current Power Supply               |
| Part NO.  | PLCCE0020■601 | SIZE       | 134 * 42 * 33.1 mm 【5.28 * 1.65 * 1.3 inch】 |



**FEATURES**

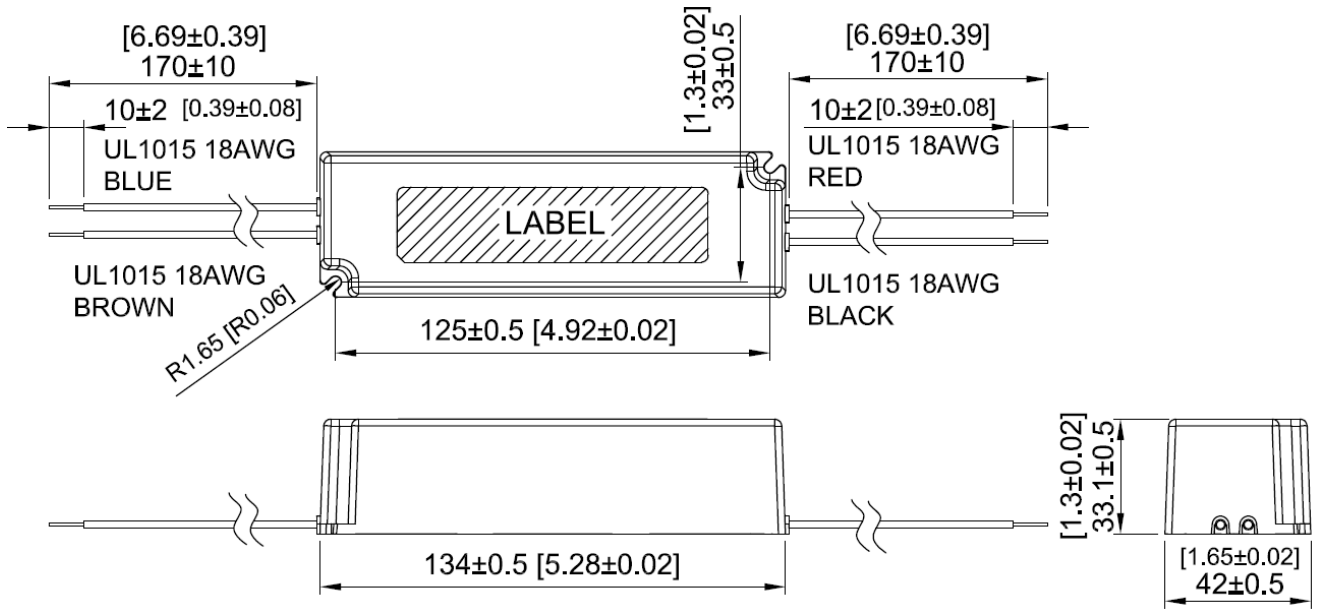
- ◆ AC Input 90~305Vac
- ◆ Protection: SCP / OVP / OCP
- ◆ High Operating ambient Temp: -20℃ ~ +60℃
- ◆ Power Factor:>0.95@115Vac;>0.9@230Vac;@full load
- ◆ Safety: TUV / CB
- ◆ EMC: CE
- ◆ Comply with Indoor/Outdoor Waterproof (IP 67)
- ◆ Dimension (L\*W\*H): 134 \* 42 \* 33.1 mm
- ◆ Dimension (L\*W\*H): 5.28 \* 1.65 \* 1.3 inch
- ◆ ROHS Compliant

| Module : LCCE-020■601 |                             | *,# =SEE NOTES BELOW   |       |      |
|-----------------------|-----------------------------|--|-------|------|
| *(8)                  | SPECIFICATION               | MODEL LCCE-020■601   |       |      |
|                       |                             | min.   | norm. | max. |
|                       | DC OUTPUT VOLTAGE RANGE (V) | 30   |       | 36   |
| *                     | PRESET ACCURACY (%) *(7)    |  | 1     |      |
| *                     | OUTPUT CURRENT(A) *(5)      |  | 0.6   |      |
| *                     | O/P NOISE (P-P, V) *(3)     |  |       | 2    |
| *                     | LINE REGULATION (%) *(6)    |  | 1     |      |
|                       | LOAD REGULATION (%)         |  | 1     |      |
|                       | DC OUTPUT POWER             | 21.6 W   |       |      |
|                       | EFFICIENCY(typ @ Full Load) | 84%  |       |      |
|                       | INPUT VOLTAGE RANGE         | 90-305VAC, 127-431VDC, Normal : 100-277VAC   |       |      |
|                       | INPUT FREQUENCY             | Range:47-63Hz, Normal : 50-60Hz  |       |      |
|                       | ACTIVE POWER FACTOR         | PF>0.95@115VAC , PF>0.9 @230VAC at full load and rated output voltage                    |       |      |
|                       | INRUSH CURRENT (typ)        | COLD START 10A @ 230VAC  |       |      |
|                       | AC CURRENT                  | 0.4A/115VAC 0.2A/230VAC  |       |      |
|                       | LEAKAGE CURRENT             | <0.7mA/240VAC  |       |      |
|                       | SHORT CIRCUIT PROTECTION    | short circuit protection will restart automatically after the fault condition is removed |       |      |
|                       | OVER CURRENT PROTECTION     | Constant Current   |       |      |
|                       | OVER V, PROTECTION          | Shut down and latch off o/p voltage , re-power on to recover                             |       |      |
| *                     | OPERATING TEMP.*(4)         | -20 to +60℃ @full load   |       |      |
|                       | STORAGE TEMPERATURE         | -40 to +80℃  |       |      |
|                       | RELATIVE HUMIDITY           | 10 to +90%, non-cond.  |       |      |
|                       | TEMP. COEFFICIENT           | 0.03% / °C (0-50℃, typ)  |       |      |
|                       | SAFETY                      | TUV EN61347-2-13 / CB  |       |      |
|                       | EMI                         | CE EN55015   |       |      |
|                       | DIMENSIONS(L*W*H)           | 134 * 42 * 33.1 mm 【5.28 * 1.65 * 1.3 inch】  |       |      |
|                       |                             |  |       |      |
|                       |                             |  |       |      |
|                       |                             |  |       |      |
|                       |                             |  |       |      |
|                       |                             |  |       |      |

NOTES : (1)All parameters not specially mentioned are measured 230VAC input.  
 (2)All specifications Typical @25℃, unless otherwise noted, at normal line and load.  
 (3)Ripple and Noise measured directly at pins/terminals at nom. load, 0.1uF bypass and 47uF electrolytic, pk-pk @20MHz bandwidth.  
 (4)Specified for free-air convection cooling.  
 (5)Minimum load is NOT required for proper operation .  
 (6)Line regulation measured from 100VAC to 277VAC.  
 (7)Preset accuracy measured at normal load, 120VAC input.  
 (8)100% Production Tested.

|           |               |            |   |
|-----------|---------------|------------|---|
| Model NO. | LCCE-020■601  | Model Name | Constant Current Power Supply               |
| Part NO.  | PLCCE0020■601 | SIZE       | 134 * 42 * 33.1 mm 【5.28 * 1.65 * 1.3 inch】 |

**Dimensions**



Unit : mm 【inch】

※Reference

[www.linkcom.com.tw](http://www.linkcom.com.tw) For more information, please contact with :sales@linkcom.com.tw