

Model NO.	LCCE-045■152	Model Name	Constant Current Power Supply
Part NO.	PLCCE0045■152	SIZE	163 * 47 * 31.6 mm 【6.42 * 1.85 * 1.24 inch】

**FEATURES**

- ◆ AC Input 90~305Vac
- ◆ Protection: SCP / OTP / OVP
- ◆ High Operating ambient Temp: -20°C ~ +60°C
- ◆ Power Factor: >0.95@115VAC >0.9@230VAC
- ◆ Safety: UL
- ◆ EMC: CE / FCC
- ◆ Comply with Indoor/Outdoor Waterproof (IP 67)
- ◆ Dimension(L\*W\*H): 163 \* 47 \* 31.6 mm
- ◆ Dimension(L\*W\*H): 6.42 \* 1.85 \* 1.24 inch
- ◆ ROHS Compliant



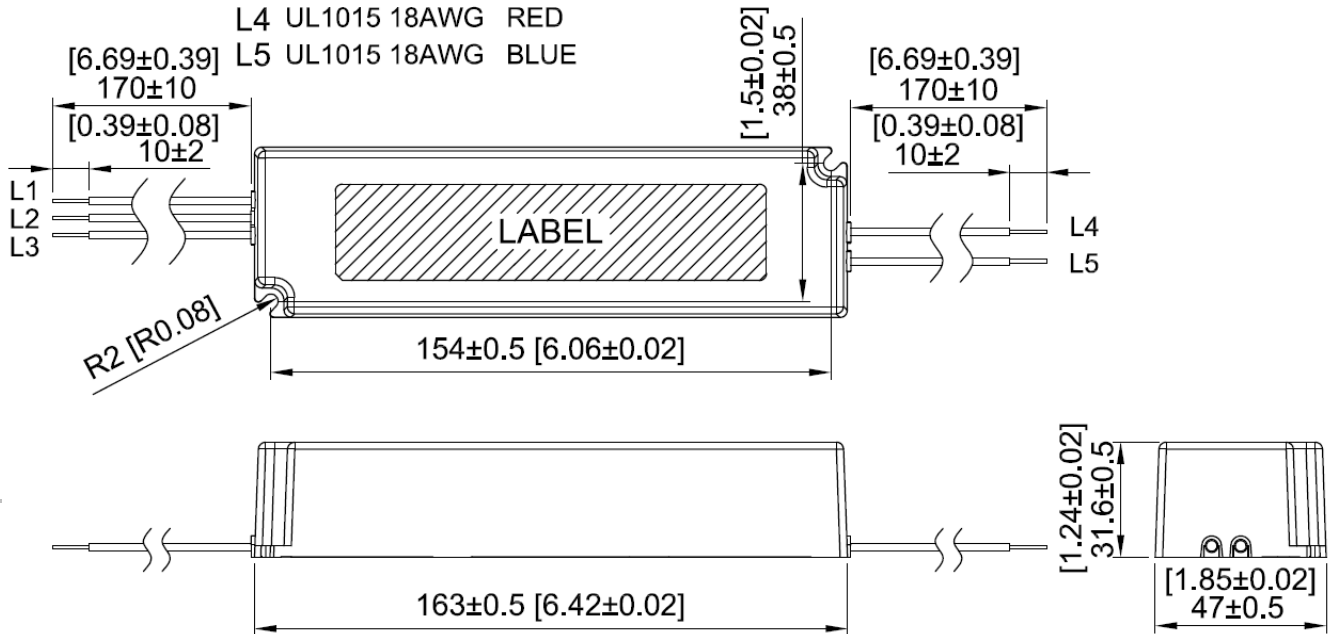
Module : LCCE-045■152		* , # =SEE NOTES BELOW		
* (8)	MODEL	LCCE-045■152		
	SPECIFICATION	min.	norm.	max.
	DC OUTPUT VOLTAGE RANGE (V)	22.5		30
*	PRESET ACCURACY (%) *(7)		5	
*	OUTPUT CURRENT RANGE (A) *(5)	1.425		1.575
*	O/P NOISE (P-P, V) *(3)			4
*	LINE REGULATION (%) *(6)		10	
	DC OUTPUT POWER	45 W		
	EFFICIENCY(typ @Full Load)	86%		
	TURN ON DELAY TIME	3000ms at full load 115VAC/230VAC		
	INPUT VOLTAGE RANGE	90-305VAC, 127-431VDC, Normal : 100-277VAC		
	INPUT FREQUENCY	Range:47-63Hz, Normal : 50-60Hz		
	INRUSH CURRENT (typ)	COLD START 43A @ 230VAC		
	AC CURRENT	0.7A/100VAC		
	LEAKAGE CURRENT	0.75mA/264VAC		
	SHORT CIRCUIT PROTECTION	The SCP, OTP and OVP will restart automatically after the fault condition is removed.		
	OVER TEMP. PROTECTION			
	OVER V, PROTECTION			
*	OPERATING TEMP.*(4)	-20 to +60°C @full load		
	STORAGE TEMPERATURE	-40 to +80°C		
	RELATIVE HUMIDITY	10 to +90%		
	TEMP. COEFFICIENT	0.03% / °C (0-50°C, typ)		
	SAFETY	UL 60950-1		
	EMI	CE EN55015 / FCC Part15		
	DIMENSIONS(L*W*H)	163 * 47 * 31.6 mm 【6.42 * 1.85 * 1.24 inch】		

NOTES : (1)All parameters not specially mentioned are measured 230VAC input.  
 (2)All specifications Typical @25°C, unless otherwise noted, at normal line and load.  
 (3)Ripple and Noise measured directly at pins/terminals at nom. load, @20MHz bandwidth.  
 (4)Specified for free-air convection cooling.  
 (5)Minimum load is NOT required for proper operation .  
 (6)Line regulation measured from 100VAC to 277VAC.  
 (7)Preset accuracy measured at normal load, 120VAC input.  
 (8)100% Production Tested.

Model NO.	LCCE-045■152	Model Name	Constant Current Power Supply
Part NO.	PLCCE0045■152	SIZE	163 * 47 * 31.6 mm 【6.42 * 1.85 * 1.24 inch】

**Dimensions**

- L1 UL1015 18AWG BLACK
- L2 UL1015 18AWG WHITE
- L3 UL1015 18AWG GREEN/YELLOW
- L4 UL1015 18AWG RED
- L5 UL1015 18AWG BLUE



Unit : mm 【inch】

※Reference