

Power Metering Precision Shunt Resistors

These components have E-Beam welded manganese-copper alloy elements giving high strength, stability and reliability. Low thermal EMF and TCR. Small size and minimal power loss. Minimal heat generation and surface temperature due to small total resistance. Proprietary processing technique allows very low resistance values. Ideally suited for KWh meters and sampling sensor shunts. These units are also suitable for custom design.



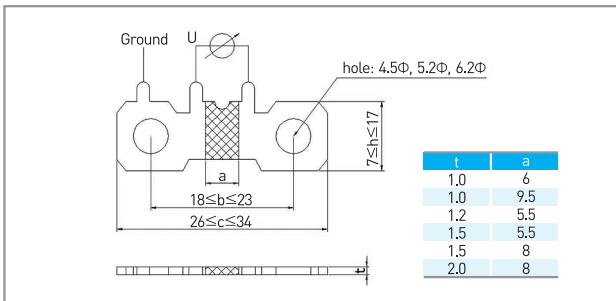
GENERAL SPECIFICATIONS

| Model | Power Rating[W] | Resistance Range[Ω] | Resistance Tolerance(%) |
|-------|-----------------|---------------------|-------------------------|
| PMS | 3 | 100μΩ~1200μΩ | F [±1], J [±5], K [±10] |

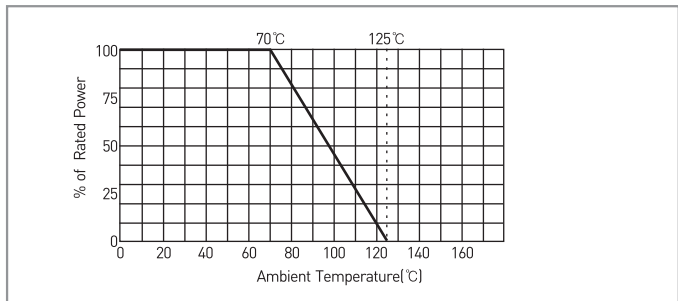
CHARACTERISTICS

| | |
|--------------------------|---|
| Temperature Range | -55°C~+125°C |
| Temperature Coefficient | ≤±50ppm/°C |
| Internal Heat Resistance | < 10°C/W |
| Load Life | Deviation < 0.5% after 2000 hours at 70°C |

DIMENSIONS [mm]



DERATING CURVE



| Resistance Value | Thickness | Rated Current |
|------------------|-----------|---------------|
| ≤100μΩ | 2.0mm | 100A |
| 120μΩ | 1.5mm | 80A |
| 150μΩ | 1.5mm | 60A |
| 200μΩ | 1.2mm | 60A |
| 250μΩ | 1.2mm | 40A |
| 300μΩ | 1.0mm | 40A |
| 350μΩ | 1.0mm | 30A |
| 500μΩ | 1.0mm | 25A |
| 1200μΩ | 1.0mm | 15A |

ORDERING PROCEDURE EXAMPLE

