

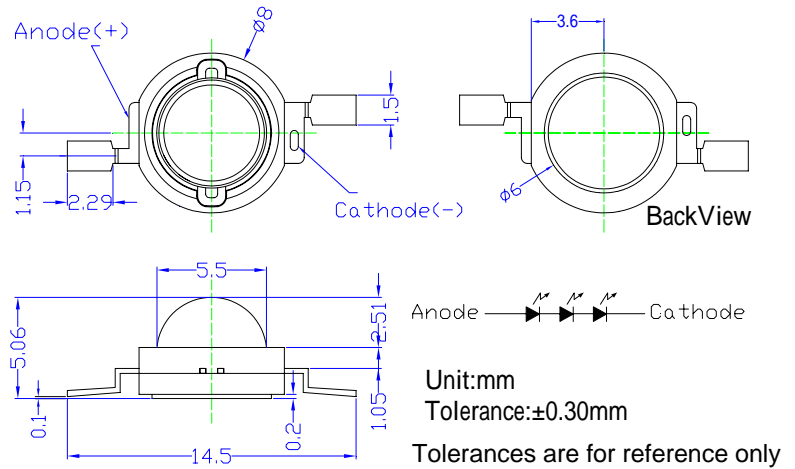
**■Features**

- Highest Luminous Flux
- Super Energy Efficiency
- Long Lifetime Operation
- Superior UV Resistance

**■Applications**

- Read lights (car, bus, aircraft)
- Portable (flashlight, bicycle)
- Bollards / Security / Garden
- Traffic signaling / Beacons
- In door / Out door Commercial lights
- Automotive Ext

**■Outline Dimension**



Part NO	Technology	Soldering Conditions
OSM5M3E1E1E	Molding	Reflow Soldering
OSM5Z3E1E1E	Lens	Hand Soldering

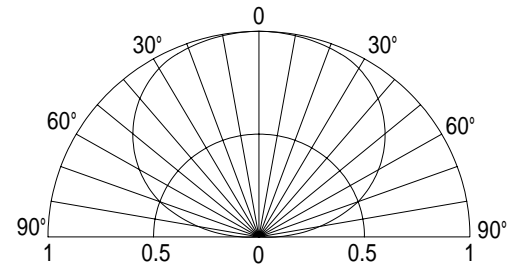
**■Absolute Maximum Rating**

(Ta=25 )

Item	Symbol	Value	Unit
DC Forward Current	I <sub>F</sub>	150	mA
Pulse Forward Current*	I <sub>FP</sub>	300	mA
Reverse Voltage	V <sub>R</sub>	15	V
Power Dissipation	P <sub>D</sub>	1710	mW
Operating Temperature	Topr	-30 ~ +85	
Storage Temperature	Tstg	-40 ~ +100	
Lead Soldering Temperature	Tsol	260 /5sec	-

\*Pulse width Max.10ms Duty ratio max 1/10

**■Directivity**



**■Electrical -Optical Characteristics**

(Ta=25 )

Item	Symbol	Condition	Min.	Typ.	Max.	Unit
DC Forward Voltage	V <sub>F</sub>	I <sub>F</sub> =120mA	9.0	9.6	11.4	V
DC Reverse Current	I <sub>R</sub>	V <sub>R</sub> =15V	-	-	10	μA
Luminous Flux	v	I <sub>F</sub> =120mA	75	85	95	lm
Color Temperature	CCT	I <sub>F</sub> =120mA	-	3000	-	K
Chromaticity Coordinates*	x	I <sub>F</sub> =120mA	-	0.44	-	-
	y	I <sub>F</sub> =120mA	-	0.41	-	-
50% Power Angle	2θ <sub>1/2</sub>	I <sub>F</sub> =120mA	-	140	-	deg

Note: Don't drive at rated current more than 5s without heat sink for Xeon 3 emitter series.

### ■OSM5M3E1E1E - Handling of Silicone Lens LEDs

Notes for handling of silicone lens LEDs

- Please do not use a force of over 3kgf impact or pressure on the silicone lens, otherwise it will cause a catastrophic failure.
- The LEDs should only be picked up by making contact with the sides of the LED body.
- Avoid touching the silicone lens especially by sharp tools such as Tweezers.
- Avoid leaving fingerprints on the silicone lens.
- Please store the LEDs away from dusty areas or seal the product against dust.
- When populating boards in SMT production, there are basically no restrictions regarding the form of the pick and place nozzle, except that mechanical pressure on the silicone lens must be prevented.
- Please do not mold over the silicone lens with another resin. (epoxy, urethane, etc)

