

## PL00101 Series SMD LED 1206 Package

### Features

- \*Flat lens package 3.2 x 1.6 x 1.4mm with reflector cup
- \*Small 30° viewing angle
- \*High light output
- \*Compatible with IR solder-process
- \*Industry standard footprint
- \*3000 pcs per reel
- \*RoHS compliant

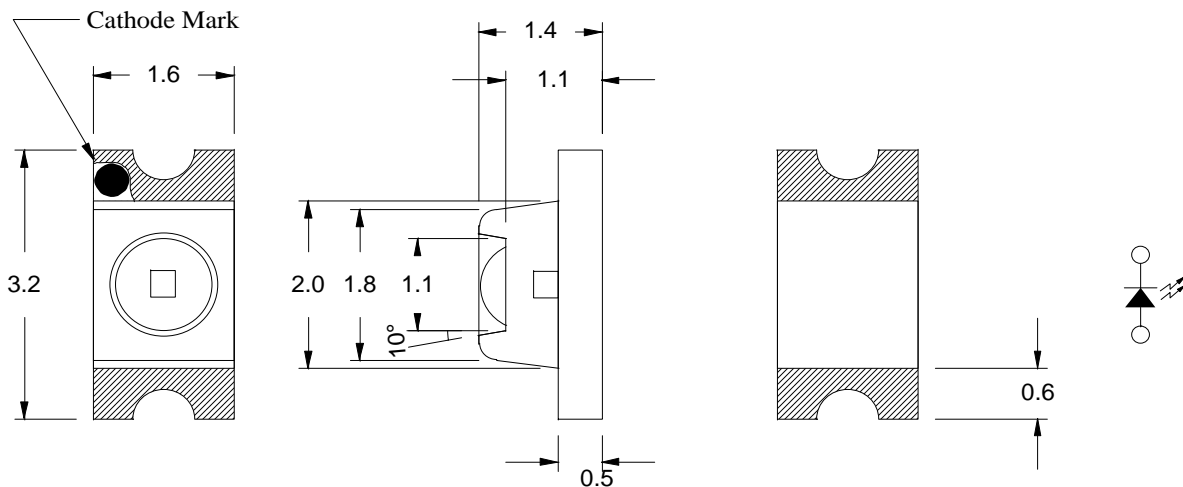
### Absolute Maximum Ratings at T<sub>A</sub> = 25°C

Power Dissipation.....	65mW
Reverse Voltage (<100μA) .....	5.0V
Max Forward Current .....	30mA
Peak Forward Current(1/10 Duty Cycle, 0.1ms Pulse Width) .....	100mA
Operating Temperature Range .....	-40°C to +85°C
Storage Temperature Range .....	-40°C to +85°C
Reflow Soldering Temperature.....	260°C for 10 seconds

### Electrical & Optical Characteristics at T<sub>A</sub> = 25°C

Part Number	Emitting Color	Chip Material	Peak Wave Length	Dominant Wave Length	Viewing Angle 2θ1/2	Forward Voltage @20mA (V)		Luminous Intensity @20mA (mcd)	
						Typ	Max	Min	Typ
Water Clear Lens			nm	nm	Deg				
PL00101-WCG13	Yellow Green	GaP	568	573	30°	2.3	2.6	11.0	28.0

Package Dimensions are in **Millimeters**. Tolerance is ± 0.25mm unless otherwise specified.



### Recommended Soldering Pad Layout

